



A TEREX BRAND

# *Parts Manual*

## Serial Number Range

***GTH-644***

***GTH-844***

from serial number  
GTH0610-14001 to  
GTH0612-16605

from serial number  
GTH0810-14001 to  
GTH0812-16605

Part No. 226648

Rev B2

November 2018

---

## Technical Publications

Genie has endeavored to deliver the highest degree of accuracy possible. However, continuous improvement of our products is a Genie policy. Therefore, product specifications are subject to change without notice.

Readers are encouraged to notify Genie of errors and send in suggestions for improvement. All communications will be carefully considered for future printings of this and all other manuals.

---

## Contact Us:

Internet: [www.genielift.com](http://www.genielift.com)  
e-mail: [awp.techpub@terex.com](mailto:awp.techpub@terex.com)

---

## Find a Manual for this Model

Go to <http://www.genielift.com>

Use the links to locate Operator's, Parts, Maintenance, and Service and Repair Manuals.

---

Copyright © 2011 by Terex Corporation

226648 Rev B April 2018

Second Edition, Second Printing

Genie and "GTH" are registered trademarks of Terex South Dakota, Inc. in the USA and many other countries.



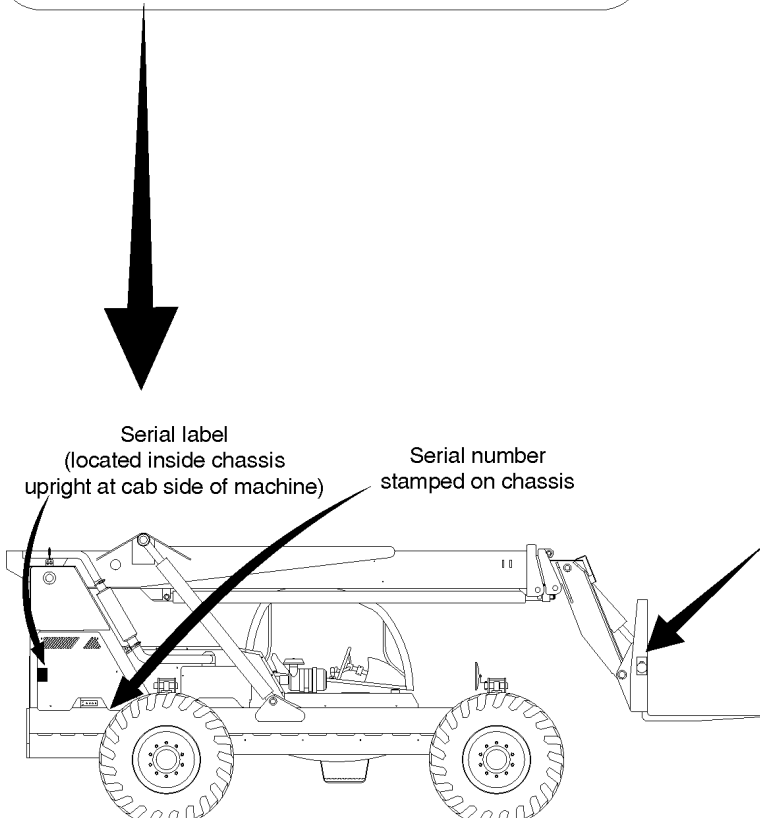
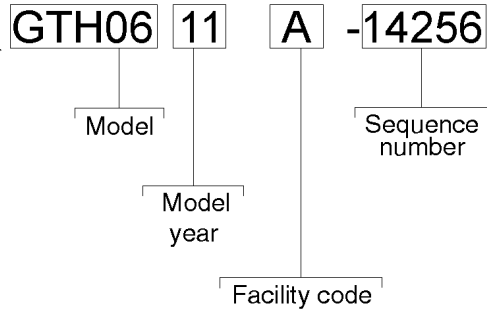
Printed on recycled paper

**Genie**  
A TEREX BRAND  
Terex South Dakota, Inc.  
18340 NE 76th Street  
Redmond, WA 98052 USA

**MODEL:** GTH-644  
**SERIAL NUMBER:** GTH0606A-1234  
**ATTACHMENT:** 48" WIDE FORK FRAME  
**MANUFACTURE DATE :** 10/12/10  
**TOTAL TRUCK WEIGHT:** 21,398 lbs / 9,706 kg  
**MAX. LIFT CAPACITY:** 6000 lbs  
**LIFT CAPACITY (LBS) AT MAX LIFT HEIGHT:** 4000 lbs  
**OUTRIGGERS UP:**  
**OUTRIGGERS DOWN:** Position 29

**THIS FORKLIFT TRUCK COMPLIES WITH:**  
ASME B56.6-2002 SAFETY STD FOR  
ROUGH TERRAIN FORKLIFT TRUCK

**COUNTRY OF MANUFACTURE:**



**Genie**  
A TEREX COMPANY

<b>Model No.</b>	<u>BX-1004</u>
<b>Serial No.</b>	<u>GTH0611-14256</u>
<b>Yr. of Mfg.</b>	<u>10/12/10</u>
<b>Cap. (lbs)</b>	<u>2000</u>
<b>Max. Wt. (lbs)</b>	<u>620.50</u>
<b>C.G. (in)</b>	<u>54.43</u>
<b>Max. Hyd. Press. (psi)</b>	<u>                    </u>

**Capacity of truck and attachment combination may be less than the capacity shown here. Consult truck load capacity plate. Complies with ASME B56.6-2002**

## Table of Contents

This manual is updated frequently. If you have a printed manual, you can keep it up to date by downloading new figures from the Genie website at [www.genielift.com](http://www.genielift.com). For the most up-to-date parts information, visit the Parts Lookup System on the Genie website at [www.genielift.com](http://www.genielift.com).

How to Read Your Serial Number.....	3
Parts Stocking List.....	7
How to Order Parts.....	8
Service Parts Fax Order Form.....	9

**Electronic Version**

Click on any page number to view the figure.

**0100 Decals**

101.1 Decals, Engine Side.....	10
102.1 Decals, Cab Side.....	12
103.1 Decals, Cab and Instrument Panel.....	14

**0200 Drive Chassis Components**

201.1 Power Train Assembly, JD-4045 Tier II.....	16
202.1 Drive Shaft Assembly, Front & Rear.....	18
203.1 Fuel Tank Assembly.....	20
204.1 Battery Box Assembly.....	22
205.1 General Assembly, View 1.....	24
206.1 General Assembly, View 2.....	26
207.1 Engine Enclosure Assembly.....	30

**0300 Transmission Components**

301.1 Transmission Converter Housing Assembly, T12000.....	32
302.1 Transmission Case and Plate Assembly, T12000.....	34
303.1 Transmission Torque Converter Assembly, T12000.....	36
304.1 Transmission Gear Assembly, T12000.....	38
305.1 Transmission Pump Drive Assembly, T12000.....	40
306.1 Transmission Charging Pump Assembly, T12000.....	42
307.1 Transmission Reverse Idler Assembly, T12000.....	44
308.1 Transmission Forward and Reverse Shaft Assembly, T12000.....	46
309.1 Transmission Third Shaft Assembly, T12000.....	48
310.1 Transmission First and Second Shaft Assembly, T12000.....	50
311.1 Transmission Output Shaft Assembly, T12000.....	52
312.1 Transmission Control Assembly, T12000.....	54
313.1 Transmission Modulation Valve Assembly, T12000.....	56

314.1 Transmission Drive Plate Assembly, T12000.....	58
------------------------------------------------------	----

**0400 Front and Rear Axle Components**

401.1 Axle Gear Box and Covers, Front and Rear Axle.....	60
402.1 Differential Assembly, Front Axle.....	62
403.1 Axle Differential Assembly, Rear Axle.....	64
404.1 Axle Steering Assembly, Front and Rear Axle.....	66
405.1 Trunnion Mount Assembly, Front and Rear.....	68
406.1 Service Brakes and Parking Brakes, Front Axle.....	70
407.1 Disc Brake Assembly, Rear Axle.....	72
408.1 Steering Arm Assembly, Front and Rear Axle.....	74
409.1 Steering Cylinder Assembly, Front and Rear Axle.....	76

**0500 Engine Components**

501.1 Engine and pump Assembly, JD-4045.....	78
502.1 Starter Relay, Sender Assembly, JD-4045.....	80
503.1 Engine Assembly, Deutz BF42012, View 1.....	82
504.1 Engine Assembly, Deutz BF42012, View 2.....	84
505.1 Engine Assembly, Deutz BF42012, View 3.....	86
506.1 Engine Components, Deutz BF42012, View 4.....	88
507.1 Engine Components, Perkins 1104C Tier 2 and Tier 3, View 1.....	90
508.1 Engine Assembly, Perkins 1104C, Tier 2 and Tier 3, View 2.....	92
509.1 Engine Assembly, Perkins 1104C, Tier 2 and Tier 3, View 3.....	94
510.1 Exhaust Assembly, JD-4045 and Deutz BF4M2012.....	96
511.1 Exhaust Assembly, Perkins 1104C.....	98
512.1 Air Cleaner Assembly, All Models.....	100

**0600 Cab Components**

601.1 Operators Compartment Assembly, View 1.....	102
602.1 Operators Compartment Assembly, View 2.....	106
603.1 Operators Compartment Assembly, View 3.....	108
604.1 Foot Brake Assembly.....	110
605.1 Accelerator Assembly with Pedal End.....	112
606.1 Instrument Panel Assembly.....	114
607.1 4-Way Controller Assembly.....	116

**0700 Boom Components**

701.1 Boom Assembly, View 1.....	118
702.1 Boom Assembly, View 2.....	120
703.1 Boom Assembly, View 3.....	122
704.1 Boom Assembly, View 4.....	124
705.1 Boom Assembly, View 5.....	126
706.1 Boom Assembly, View 6.....	128
707.1 Boom Assembly, View 7.....	130
708.1 Boom Assembly, View 8.....	132
709.1 Boom Assembly, View 9.....	134

710.1 Boom Assembly, View 10.....	136
-----------------------------------	-----

**0800 Hydraulic Hoses and Fittings**

801.1 Circuit,Pump, Oil Reservoir.....	138
802.1 Circuit, Lift-Tilt, GTH-844.....	140
803.1 Circuit, Lift-Tilt, GTH-644.....	142
804.1 Circuit, Boom.....	144
805.1 Circuit, 4 Way Controller.....	146
806.1 Circuit, Steering.....	148
807.1 Circuit, Sway.....	150
808.1 Circuit, Rear Lock-Up.....	152
809.1 Circuit, Parking Brake, GTH-844.....	154
810.1 Circuit, Parking Brake, GTH-644.....	156
811.1 Circuit, Pressure Checks.....	158
812.1 Circuit, Brake - Differential Lock, GTH-844.....	160
813.1 Circuit, Brake, GTH-644.....	162
814.1 Circuit, Oil Cooler, JD-4045, Tier II.....	164
815.1 Circuit, Oil Cooler, Perkins, 1104C.....	166
816.1 Circuit, Fuel, JD-4045, Tier II and Deutz.....	168
817.1 Circuit, Fuel, Perkins 1104C.....	170

**0900 Hydraulic Components**

901.1 Lift Cylinder, GTH-844.....	172
902.1 Lift Cylinder, GTH-644.....	174
903.1 Tilt Cylinder.....	176
904.1 Boom Cylinder.....	178
905.1 Sway-rear Lock up Cylinder.....	180
906.1 Motion Valve, Base Tilt Cylinder.....	182
907.1 Motion Valve, Head Tilt Cylinder.....	184
908.1 Motion Valve, Boom Cylinder.....	186
909.1 Motion Valve, Base Lift Cylinder.....	188
910.1 Dual Pilot Check Valve.....	190
911.1 Orbital Assembly.....	192
912.1 Selector Valve, Steering.....	194
913.1 Return Filter Assembly.....	196
914.1 Control Block Assembly.....	198
915.1 Main Valve Assembly (before GTH0611-14658 and GTH0811-14658).....	200
915.2 Main Valve Assembly (from GTH0611-14658 and GTH0811-14658).....	202
916.1 Hydraulic Pump Assembly, View 1.....	204
917.1 Hydraulic Pump Assembly, View 2.....	206
918.1 Electric Valve, 4 -Way.....	208
919.1 Electric Valve Assembly, 4 -Way.....	210
920.1 Valve, Boom Activated Rear-Lock.....	212
921.1 Valve, Parking Brake and Differential Lock.....	214
922.1 Rear Lockup Manifold.....	216

**1000 Accessories**

1001. 1 Fully Enclosed Cab Assembly, View 1.....	218
1003. 1 Fully Enclosed Cab Assembly, View 3.....	220
1004. 1 Fully Enclosed Cab Assembly, View 4.....	222
1005. 1 Fully Enclosed Cab Assembly, View 5.....	224
1006. 1 Fork Frame Rotate Assembly.....	226
1007. 1 Rotate Cylinder Assembly.....	228
1008. 1 Dual Pilot Check Valve.....	230
1009. 1 Circuit, Fork Rotate.....	232
1010. 1 Circuit, Auxillary Hydraulics, 3 -7 GPM.....	234
1011. 1 Road and Work Light Accessory.....	236
1012. 1 Road Light Harnesses.....	238
1013. 1 Work Light Harnesses.....	240
1014. 1 HVAC Components.....	242
1015. 1 HVAC Unit.....	244
1016. 1 Condenser Assembly, HVAC.....	246
1017. 1 Fender Assembly.....	248

**Indices**

Part Number Index.....	250
Part Description Index.....	256

**Cross References**

Fittings Cross Reference.....	264
-------------------------------	-----



## Required Parts

The following parts are required to perform maintenance procedures as outlined in the Genie GTH-636, GTH-644, GTH-842, GTH-844, GTH-1048, and GTH-1056 Service Manual.

Plug and Cap Kit (for ORFS fittings) .....	49613
Element - Hydraulic Return Filter.....	117043
Return Filter .....	117044
Transmission Oil Filter.....	7-126-349
Maintenance Manual, Dana Axle.....	97488
Maintenance Manual, Dana Transmission .....	97489
Operator's Manual, Deutz 2012.....	97490
Workshop Manual, Deutz 2012 .....	97491
Operator's Manual, JD4045T .....	97492
Workshop Manual, JD4045T .....	97493

### JD-4045 Tier II Models:

Description	Part No.
Air Cleaner Assembly.....	7-109-16
Primary Air Filter .....	7-109-04
Safety Air Filter.....	7-109-14
Engine Oil Filter, JD4045T .....	7-183-184
Engine Fuel Filter, JD4045T.....	7-183-45

### Deutz BF42012 Models:

Air Cleaner Assembly.....	108530
Primary Air Filter .....	7-109-04
Safety Air Filter.....	7-109-14
Engine Oil Filter .....	108541
Fuel Filter .....	108543
Fuel Pre-Filter .....	7-202-05

### Perkins 1104C Models:

Air Cleaner Assembly .....	117587
Primary Air Filter .....	7-109-04
Safety Air Filter.....	7-109-14
Engine Oil Filter .....	102632
Fuel Filter .....	102639

## Recommended Parts

Description	Part No.
Genie Blue Paint, 1 Gallon .....	32150
Genie Blue Paint, 12 Ounce Aerosol .....	1484
Genie Gray Paint, 1 Gallon.....	32151
Genie Gray Paint, 12 Ounce Aerosol .....	1268

Genie also offers the following support documents:

AEM Safety Manual.....	108382
EMI Safety Manual .....	27581
Manual of Responsibilities ANSI A92.5 .....	31779

## How To Order Parts

### How to Order Parts

Please be prepared with the following information when ordering replacement parts for your Terex or Genie product.

- Machine model number
- Machine serial number
- Part number
- Part description and quantity
- Purchase order number
- "Ship to" address
- Desired method of shipment
- Name and telephone number of the authorized distributor in your area.

Use the Service Parts Fax Order Form on the next page and fax your order to our Parts Department.

If you don't know the name of your authorized distributor, or if your area is not currently serviced by an authorized distributor, please call Terex or Genie Industries.

### Machine Information

\_\_\_\_\_

Model

\_\_\_\_\_

Serial Number

\_\_\_\_\_

Date of Purchase

\_\_\_\_\_

Authorized Genie Distributor

\_\_\_\_\_

Phone Number

#### North America

Telephone (425)881-1800  
 Toll Free (800)536-1800 in US and Canada  
 Fax (425)556-8659  
 Toll Free fax (888)274-6192  
 Email [AWP.PartsSalesPO@terex.com](mailto:AWP.PartsSalesPO@terex.com)  
<http://genielift.com/en>

#### EMEAR (Europe, Middle East, Africa and Russia)

Telephone (31)(165)519 313  
 Fax (31)(165)511 148  
<http://genielift.co.uk>

#### Asia Pacific (Genie Singapore)

Telephone +65 6692 7777  
 Fax +65 6261 8893  
<http://genielift.com.sg/>

#### Australia

Telephone (61)(7)3456 4444  
 Fax (61)(7)3456 4466  
<http://genielift.com.au>

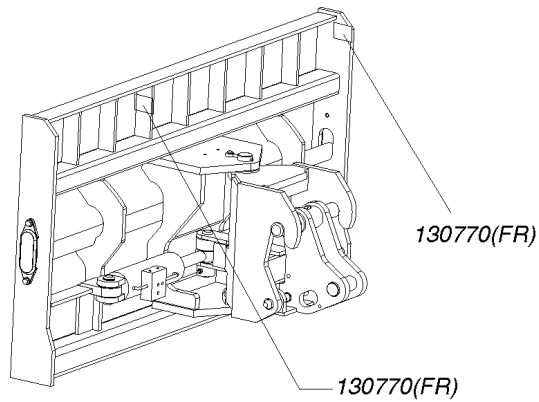
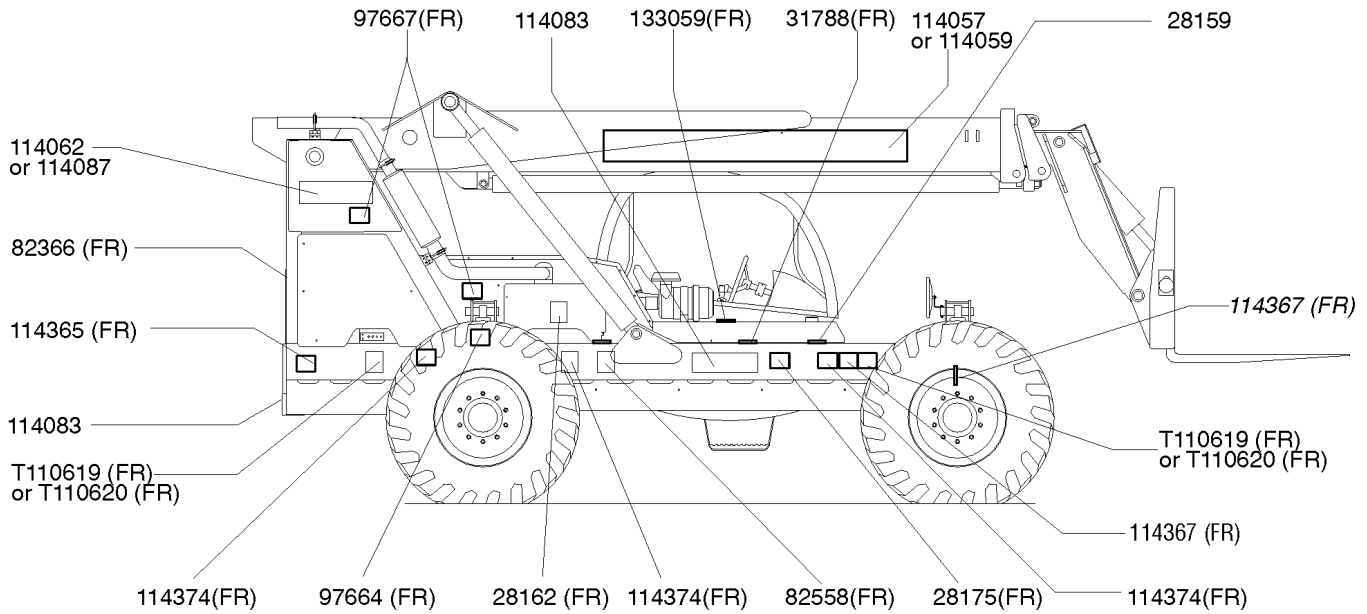
#### South America

Telephone (55)(11)4082 5600  
 Fax (55)(11)4082 5630





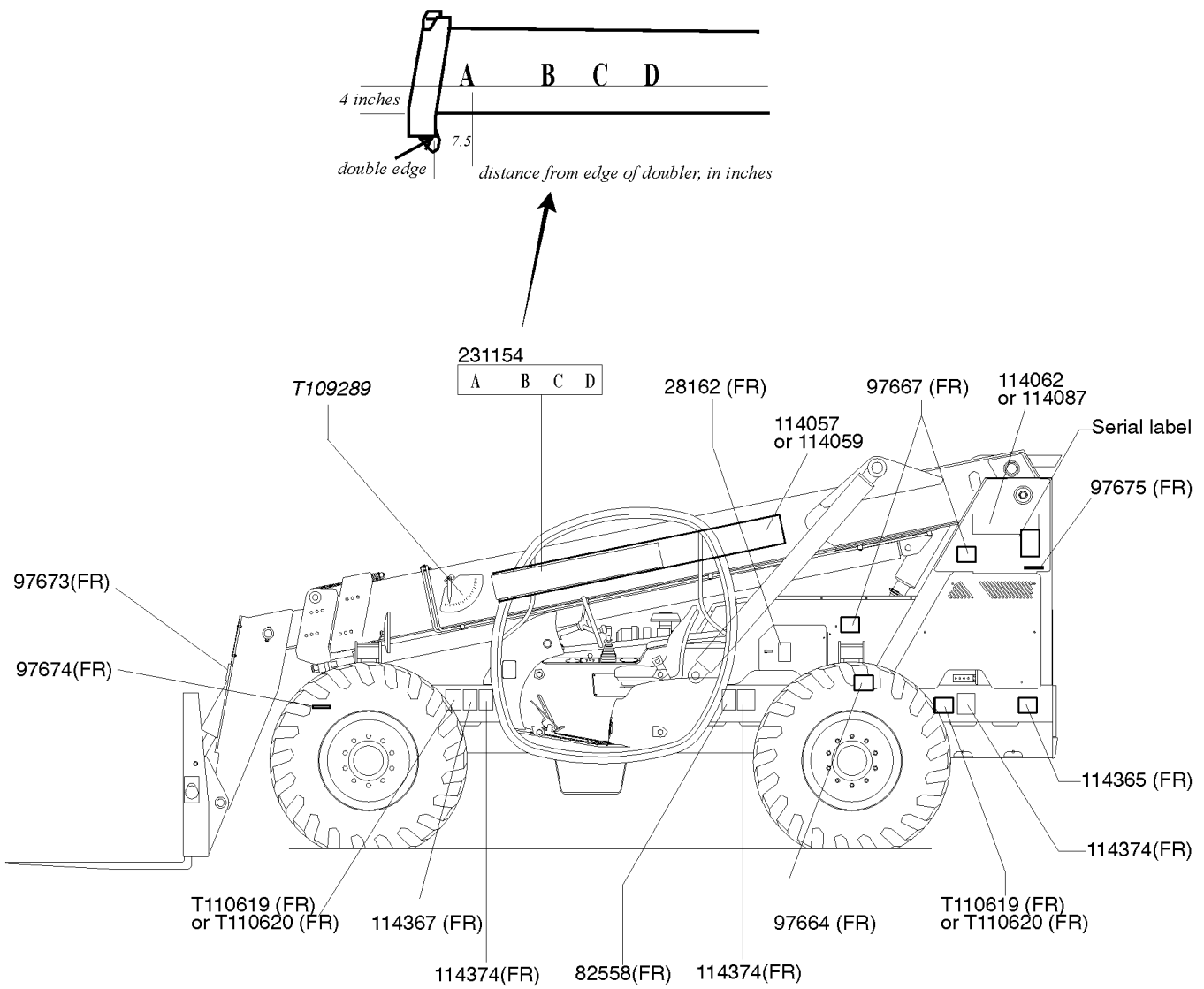
101.1 Decals, Engine Side



## 101.1 Decals, Engine Side

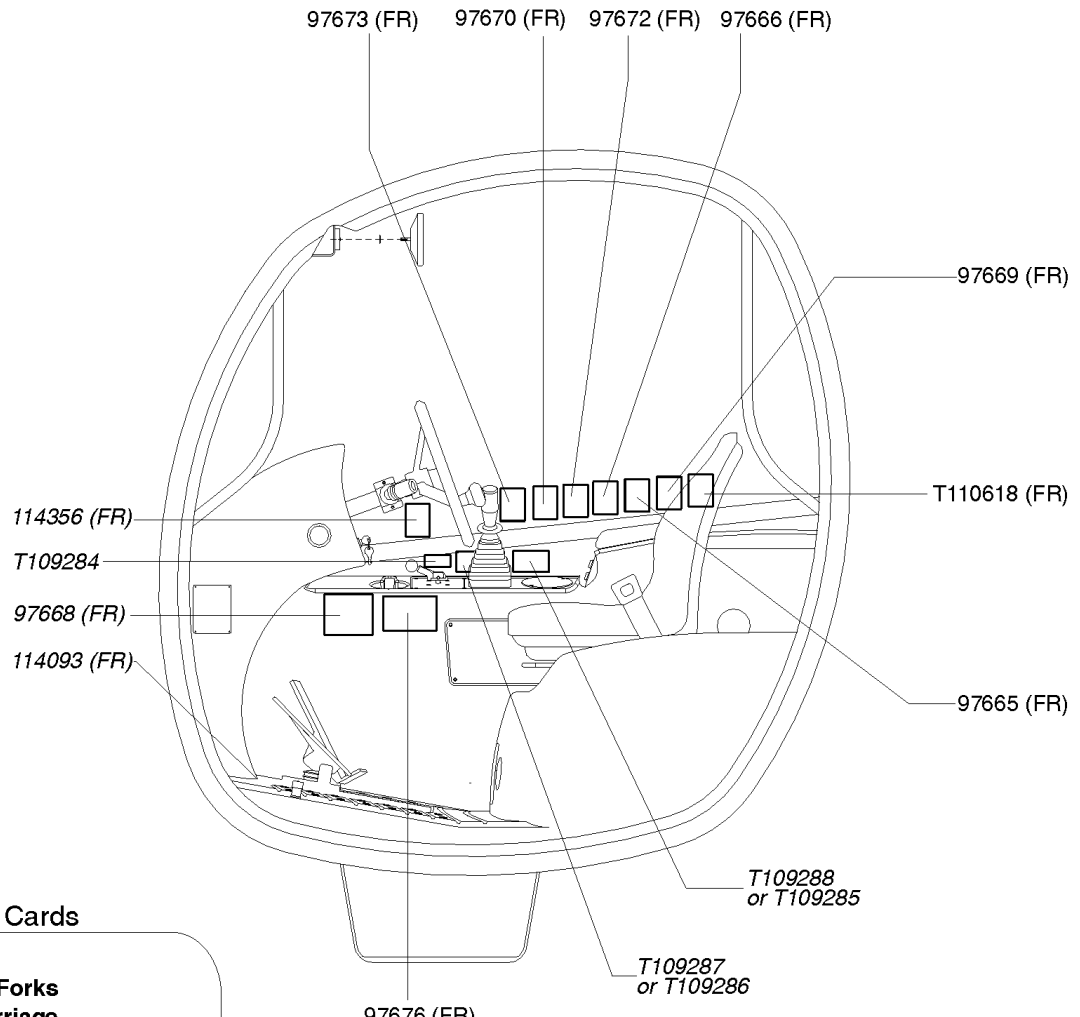
Item	Part No.	Description	Qty.
--	236809GT	DECAL KIT, GTH, 6K, COMPLETE (from SN 14001)	
--	236808GT	DECAL KIT, GTH, 8K, COMPLETE (from SN 14001)	
1	28159GT	DECAL,DIESEL.....	1
2	28162GT	DECAL,WARNING,CRUSHING.....	2
3	28175GT	DECAL,WARNING-COMPART ACCESS.....	1
4	31788GT	DECAL,DANGER,BATTERY SAFETY***.....	1
5	82366GT	DECAL,CHEVRON RANDO HD.....	1
6	82558GT	DECAL,WARN,SKIN INJECTION HAZ*.....	2
7	97664GT	Warning - Crush Hazard, Moving Parts...	2
8	97667GT	DECAL,WARN,BURN HAZARD.....	2
9	114057GT	DECAL,COSMETIC,GENIE GTH-844.....	2
10	114059GT	DECAL,COSMETIC,GENIE GTH-644.....	2
11	114062GT	DECAL,COSMETIC,GTH844 SMALL.....	2
12	114083GT	DECAL,COSMETIC,GENIE LOGO,WHT.....	2
13	114087GT	DECAL,COSMETIC,GTH 644 SMALL.....	2
14	114365GT	DECAL,BODYCRUSH,ROLLING MACHIN.....	2
15	114367GT	DECAL,FALLING OBJECT HAZARD.....	3
16	114374GT	DECAL,TIRE ROTATE,CRUSH.....	4
17	130770GT	DECAL,TRUSS BOOM WARNING.....	1
18	133059GT	DECAL,WARNING-EXPLOSION/ENGINE.	1
19	T110619GT	DECAL,DANGER,TIP OVER TIRES,FF.....	4
20	T110620GT	DECAL,DANGER,TIP OVER TIRES AF.....	4

102.1 Decals, Cab Side



Item	Part No.	Description	Qty.
--		Ref. DECAL KIT, GTH, 8K, COMPLETE (refer to 101.1)	
--		Ref. DECAL KIT, GTH, 6K, COMPLETE (refer to 101.1)	
1	28162GT	DECAL,WARNING,CRUSHING.....	2
2	82558GT	DECAL,WARN,SKIN INJECTION HAZ*.....	2
3	97664GT	Warning - Crush Hazard, Moving Parts...	2
4	97667GT	DECAL,WARN,BURN HAZARD..... (models with John Deere engine)	2
5	97673GT	Danger - Fall Hazard, No Riders.....	2
6	97674GT	Warning - Crush Hazard, Overhead Parts.....	1
7	97675GT	DECAL,WARN,EXPLSION/BURN HAZ...	1
8	114057GT	DECAL,COSMETIC,GENIE GTH-844....	2
9	114059GT	DECAL,COSMETIC,GENIE GTH-644....	2
10	114062GT	DECAL,COSMETIC,GTH844 SMALL....	2
11	114087GT	DECAL,COSMETIC,GTH 644 SMALL....	2
12	114365GT	DECAL,BODYCRUSH,ROLLING MACHIN.....	2
13	114367GT	DECAL,FALLING OBJECT HAZARD....	3
14	114374GT	DECAL,TIRE ROTATE,CRUSH.....	4
15	231154GT	DECAL, A-D, GTH844, WHITE.....	1
16	T109289GT	DECAL,BOOM ANGLE INST 6K8K.....	1
17	T110619GT	DECAL,DANGER,TIP OVER TIRES,FF.....	4
18	T110620GT	DECAL,DANGER,TIP OVER TIRES AF.....	4

103.1 Decals, Cab and Instrument Panel



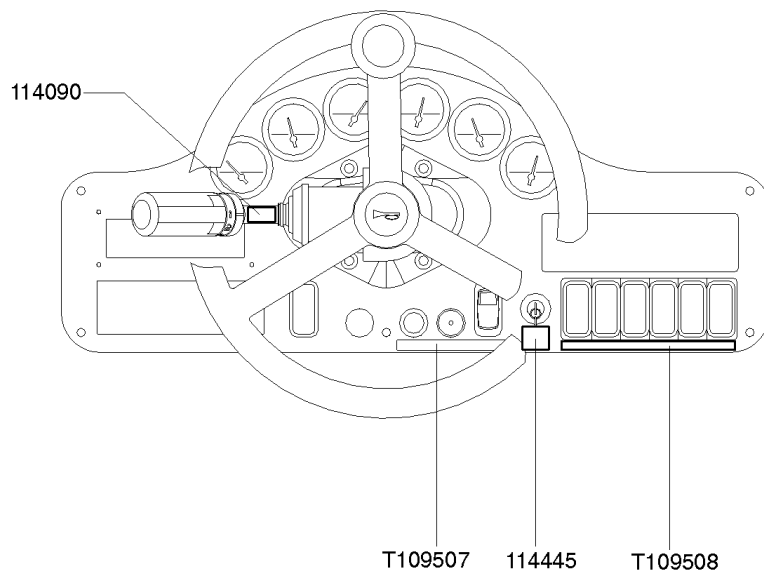
Load Chart Cards

**GTH-844**

- 130701 Standard Forks**
- 130702 Swing Carriage**
- 130703 Pin-on Bucket**
- 130704 Pin-on Truss Boom**
- 130705 Quick Attach Bucket**
- 130706 Quick Attach Truss Boom**
- 130707 CAT Attachment**
- 141946 Quick Attach Swing Carriage**

**GTH-644**

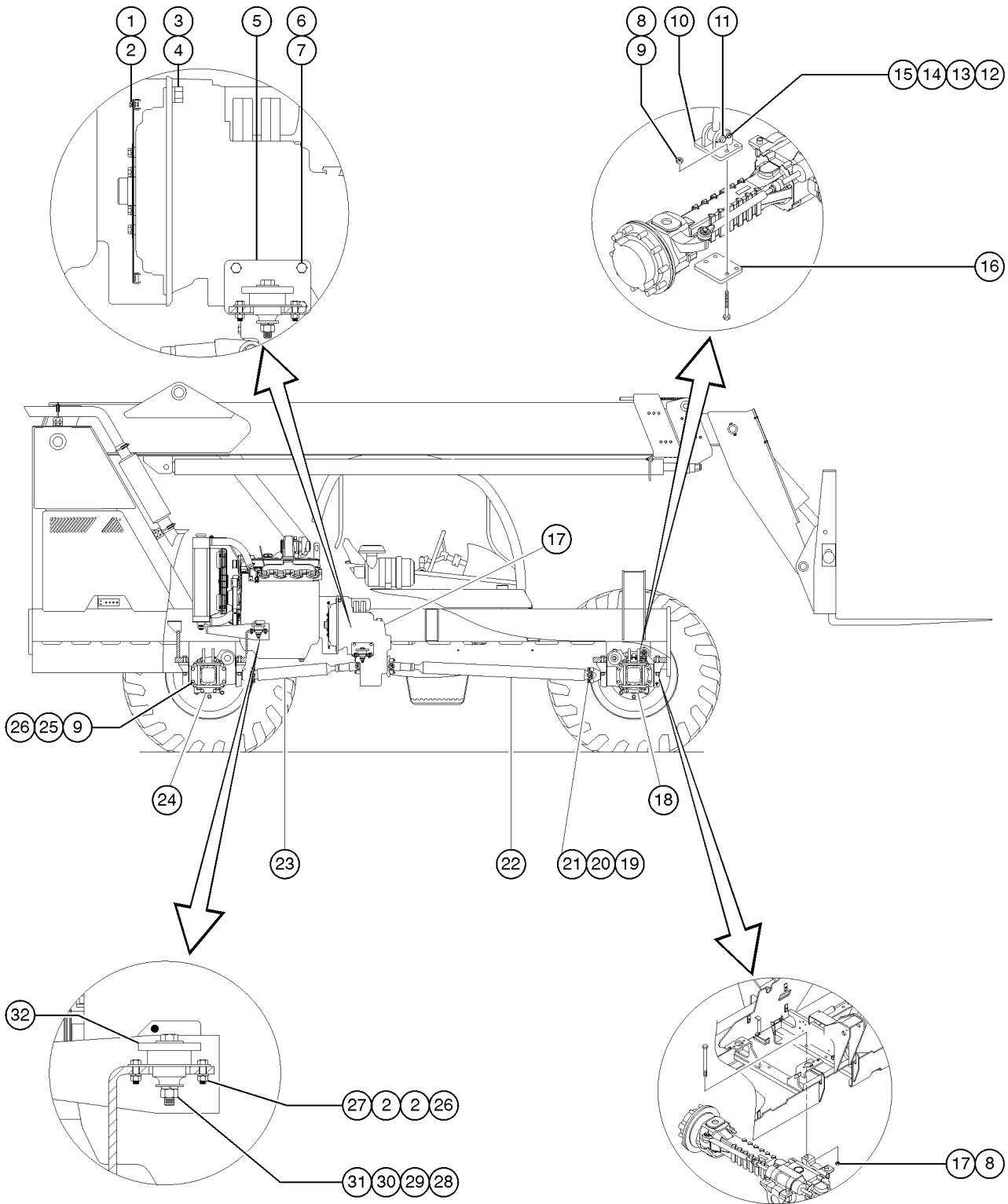
- 130687 Standard Forks**
- 130688 Swing Carriage**
- 130689 Pin-on Bucket**
- 130690 Pin-on Truss Boom**
- 130691 Quick Attach Bucket**
- 130692 Quick Attach Truss Boom**
- 130693 CAT Attachment**
- T107982 Quick Attach Swing Carriage**



## 103.1 Decals, Cab and Instrument Panel

Item	Part No.	Description	Qty.
--		Ref. DECAL KIT, GTH, 8K, COMPLETE (refer to 101.1)	
--		Ref. DECAL KIT, GTH, 8K, COMPLETE (refer to 101.1)	
1	97665GT	DECAL,WARN,WEAR SEAT BELT.....1	
2	97666GT	DECAL,WARN,READ MANUAL.....1	
3	97668GT	DECAL,WARN,OVERTURN HAZARD....1	
4	97669GT	DECAL,WARN,FALLING OBJECT HAZ.....1	
5	97670GT	DECAL,DANGER,CRUSH HAZARD.....1	
6	97672GT	DECAL,DANGER,CRUSH HAZARD.....1	
7	97673GT	Danger - Fall Hazard, No Riders.....2	
8	97676GT	DECAL,DANGER,ELECTRICAL HAZARD.....1	
9	114090GT	DECAL,TRANSMISSION CONTROL.....1	
10	114093GT	DECAL,AXLE DIFFERENTIAL LO.....1	
11	114356GT	DECAL,WARNING,NO LOAD CHART....1	
12	114445GT	DECAL,LABEL,IGNITION.....1	
13	130687GT	CARD,LOAD RNG,644 STD FKS.....1	
14	130688GT	CARD,LOAD RNG,644 SWG CARR.....1	
15	130689GT	CARD,LOAD RNG,644 PIN ON BKT.....1	
16	130690GT	CARD,LOAD RNG,644 PIN ON TB.....1	
17	130691GT	CARD,LOAD RNG,644 QA BKT.....1	
18	130692GT	CARD,LOAD RNG,644 QA TB.....1	
19	130693GT	CARD,LOAD RNG,644 CAT ADPT.....1	
20	130701GT	CARD,LOAD RNG,844 STD FKS.....1	
21	130702GT	CARD,LOAD RNG,844 SWG CARR.....1	
22	130703GT	CARD,LOAD RNG,844 PIN ON BKT.....1	
23	130704GT	CARD,LOAD RNG,844 PIN ON TB.....1	
24	130705GT	CARD,LOAD RNG,844 QA BKT.....1	
25	130706GT	CARD,LOAD RNG,844 QA TB.....1	
26	130707GT	CARD,LOAD RNG,844 CAT ADPT.....1	
27	141946GT	CARD,LOAD RNG,844 QA&ROT.....1	
28	T107982GT	CARD,LOAD RNG,644 QA&ROT.....1	
29	T109284GT	DECAL,STEERING SELECTOR,6K8K....1	
30	T109285GT	DECAL,AUX CNTRLS INST 6K8K.....1	
31	T109286GT	DECAL,DUAL CNTRLS INST 6K8K.....1	
32	T109287GT	DECAL,SINGLE CNTRLS INST,6K8K....1	
33	T109288GT	DECAL,AUX AND SWAY CNTRLS 6K8K.....1	
34	T109507GT	DECAL,LABEL DASH SWITCHES 6&8K.....1	
35	T109508GT	DECAL,LABEL DASH SWITCHS,OPTNS.....1	
36	T110618GT	DECAL,DANGER,TIP OVER SWAY.....1	

201.1 Power Train Assembly, JD-4045 Tier II

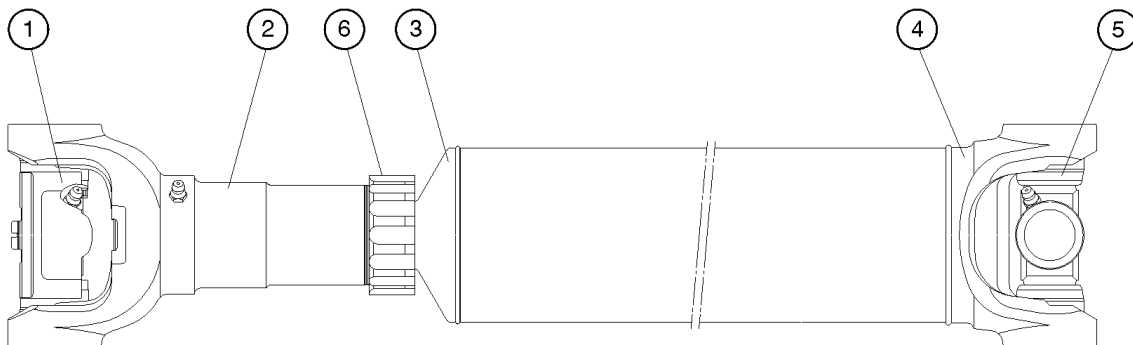




## 201.1 Power Train Assembly, JD-4045 Tier II

Item	Part No.	Description	Qty.
--		Ref. ENGINE AND PUMP ASSEMBLY (refer to 301.1)	
--	7-126-767GT	TRANSMISSION ASSEMBLY/DEUTSCH	
1	6-5306-14GT	SCREW,3/8NF 1 3/4.....	8
2	6021GT	WASHER,LOCK,.375.....	16
3	6-8510-40GT	CAPSCREW / HEX HEAD.....	11
4	6-9111-10GT	LOCKWASHER,10MM.....	11
5A	3-1360-1GT	TRANSMISSION MOUNT / LH..... (exhaust side, John Deere and Deutz)	1
5B	3-1360-2GT	TRANSMISSION MOUNT / RH (cab side, John Deere and Deutz)	
6	6-8112-35GT	SCREW,12MM X 1.75X35MM.....	5
7	49409GT	WASHER,LOCK,M12.....	5
8	77051GT	NUT,NYLOCK,3/4-10,GRD.8.....	24
9	108674GT	SCREW,HHC,3/4-10X9.0,GR8.....	24
10	108491GT	WELDMENT,SWAY CYL MOUNT.....	4
11	5-2041-22GT	PIN,ONE THRU HOLE.....	4
12	13918GT	SCREW,HHC,3/8-16 X 1.75,GRD.8.....	4
13	825019GT	ROD END,.375X3.69,ZAG.....	4
14	6097GT	WASHER,FLAT,USS,3/8",Y	
15	4828GT	NUT,NYLOCK,3/8-16	
16	108489GT	PLATE,BASE SWAY MOUNT.....	4
17	6-5212-48GT	SCREW,3/4-10X6.....	8
18	108654GT	AXLE ASSEMBLY,FRONT.....	1
19	7-229-896GT	BOLT/3/8 UNF-2AX3/4 LG.....	8
20	6097GT	WASHER,FLAT,USS,3/8",Y	
21	123577GT	STRAP KIT,DRIVESHAFT,1480..... required for installation of the driveshafts	2
22		Ref. DRIVE SHAFT, FRONT (refer to 202.1)	
23		Ref. DRIVE SHAFT, FRONT (refer to 202.1)	
24	108498GT	AXLE ASSEMBLY,REAR.....	1
25	34550GT	WASHER,LOCK,.75 PLTD.....	24
26	6-6201-06GT	NUT,HEX,3/8-16	
27	123559GT	SCREW,HHC,3/8-16X1.25GR8	
28	6-6201-10GT	NUT,HEX,5/8NC.....	4
29	6-6211-10GT	WASHER,LOCK,.625 PLTD.....	4
30	6-6212-10GT	WASHER,FLAT,.625, HARDENED.....	4
31	53909GT	SCREW,HHC,5/8-11 X 4.0 GR8.....	4
32	7-326-02GT	ISO MOUNTS.....	4

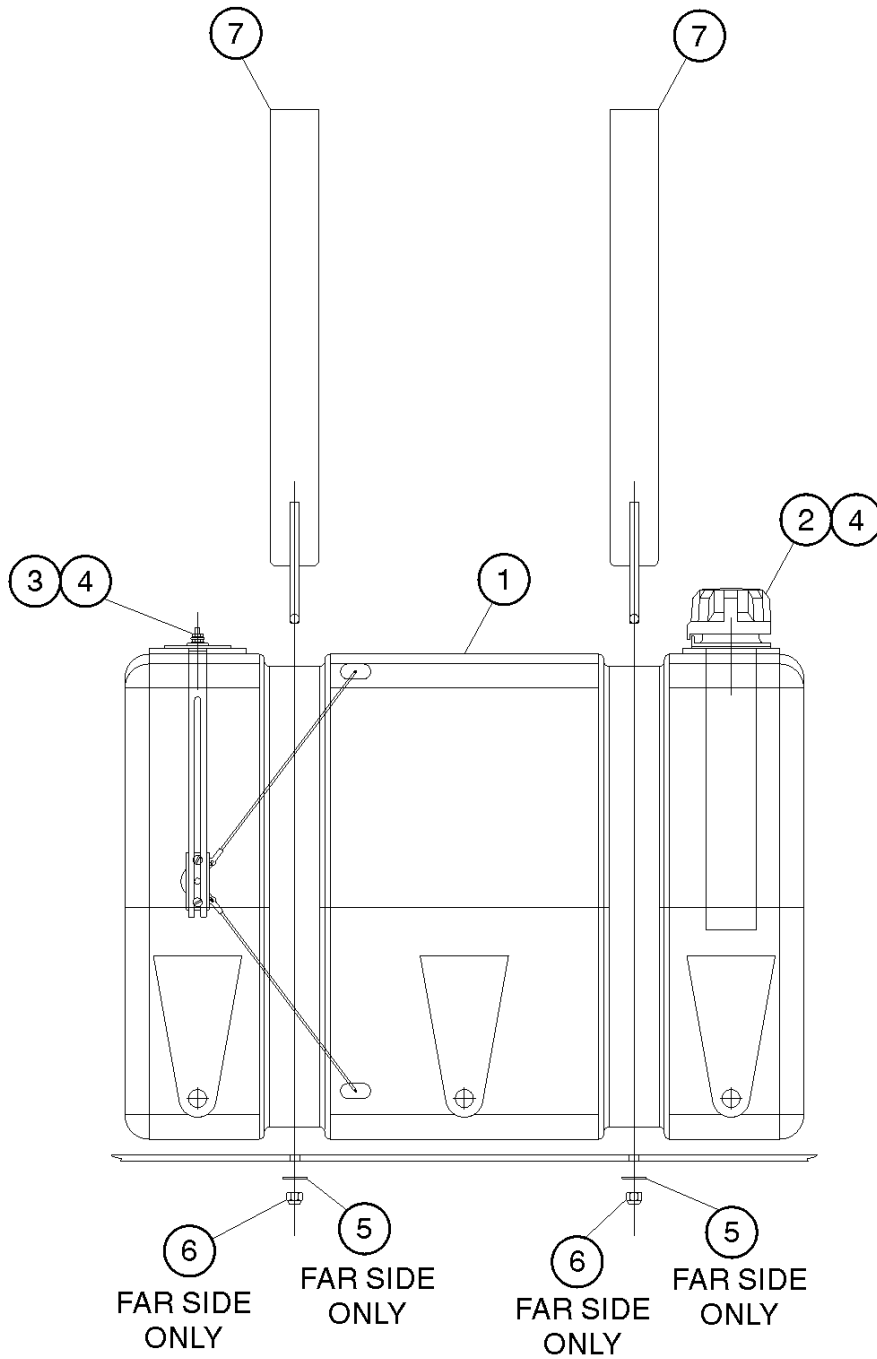
202.1 Drive Shaft Assembly, Front & Rear



## 202.1 Drive Shaft Assembly, Front &amp; Rear

Item	Part No.	Description	Qty.
--	108496GT	DRIVESHAFT,FRONT,TH644/8XX <i>includes items 1-6</i>	
--	7-229-888GT	DRIVE SHAFT ASSY, REAR (SHORT) <i>includes items 1-6</i>	
1	7-229-897GT	CROSS AND BEARING.....1 <i>fasteners included</i>	
2	7-229-898GT	SLIP YOKE.....1	
3	7-229-899GT	Slip Stub.....1	
4	7-229-900GT	WELD YOKE.....1	
5	7-229-901GT	CROSS AND BEARING.....1	
6	7-229-902GT	SEAL/DUST CAP.....1	

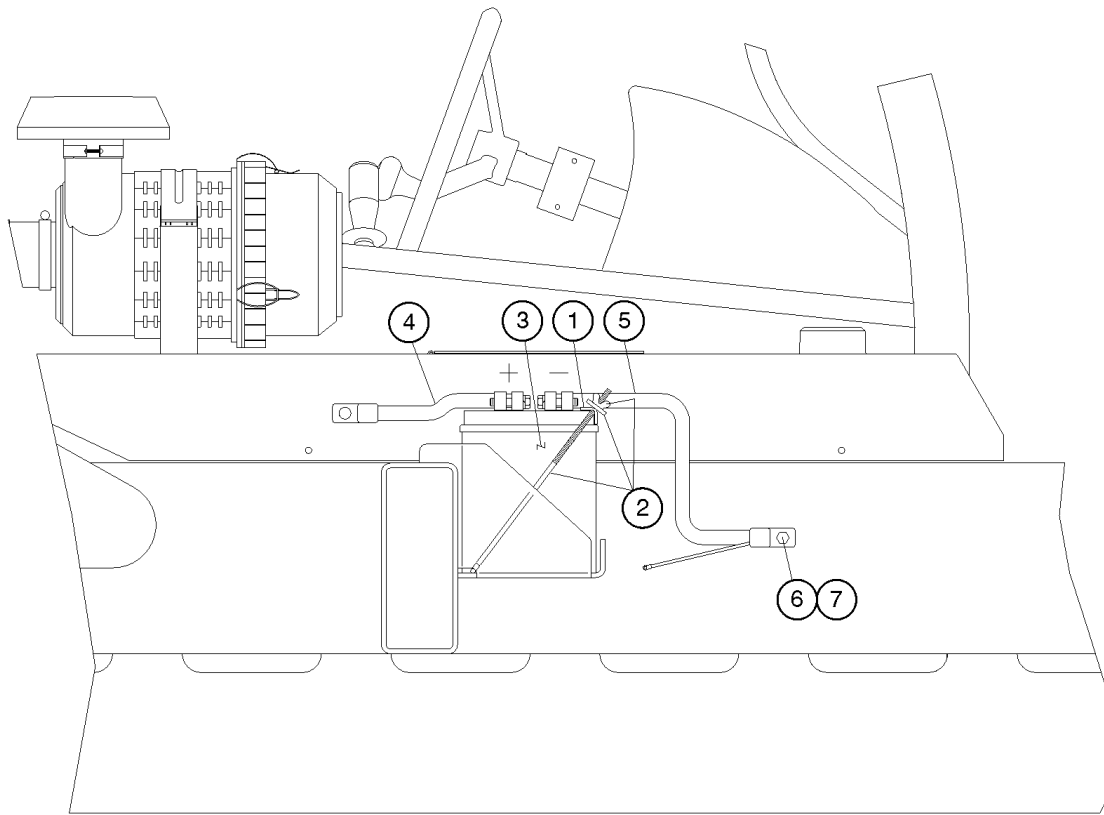
203.1 Fuel Tank Assembly



## 203.1 Fuel Tank Assembly

Item	Part No.	Description	Qty.
--	7-121-01GT	BUSHING, RUBBER <i>John Deere models</i>	
--	7-121-07GT	BUSHING,RUBBER,LARGE <i>Perkins models</i>	
1	123114GT	TANK,FUEL,30GAL.....	1
--	123830GT	DROP TUBE ASSY,3/8 FUEL,6K/8K.....	2
--	7-121-02GT	FITTING, 90, 3/8 HOSE	
2	123147GT	FILLER CAP, FUEL, BREATHER.....	1
3	123151GT	KIT, FUEL SENDER.....	1
4	49819GT	SCREW,PHILLIPS,PHM,10-32 X .5.....	11
5	19934GT	WASHER,3/8 HARD.STEEL-FLAT,USS.....	2
6	4828GT	NUT,NYLOCK,3/8-16.....	2
7	3-1390GT	MOUNTING STRAP,FUEL TANK.....	2

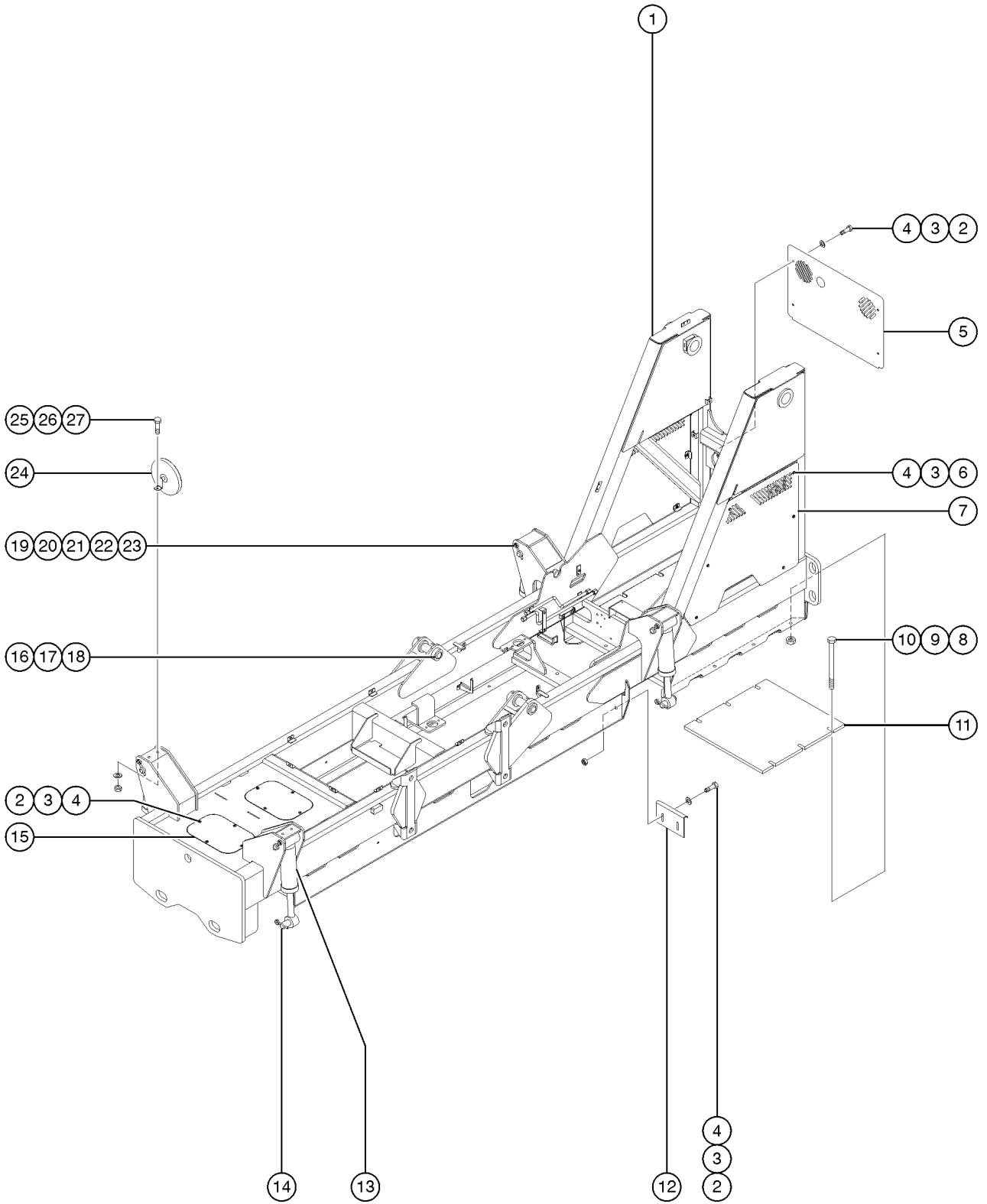
204.1 Battery Box Assembly



## 204.1 Battery Box Assembly

Item	Part No.	Description	Qty.
1	123149GT	FORMING,BATTERY HOLDDOWN.....1	
2	123150GT	HOOK, BATTERY HOLD DOWN.....2	
3	30143GT	BATTERY,12V,1000 CCA GRP 31.....1 (replaced 123193)	
4	6-7801-132BGT	BATTERY CABLE (RED).....1	
5	6-7802-88BGT	BATTERY CABLE (BLK).....1	
6	6-5208-08GT	SCREW,HHC,1/2-13X1.00,GR8.....1	
7	6033GT	WASHER,LOCK,0.5".....1	

205.1 General Assembly, View 1

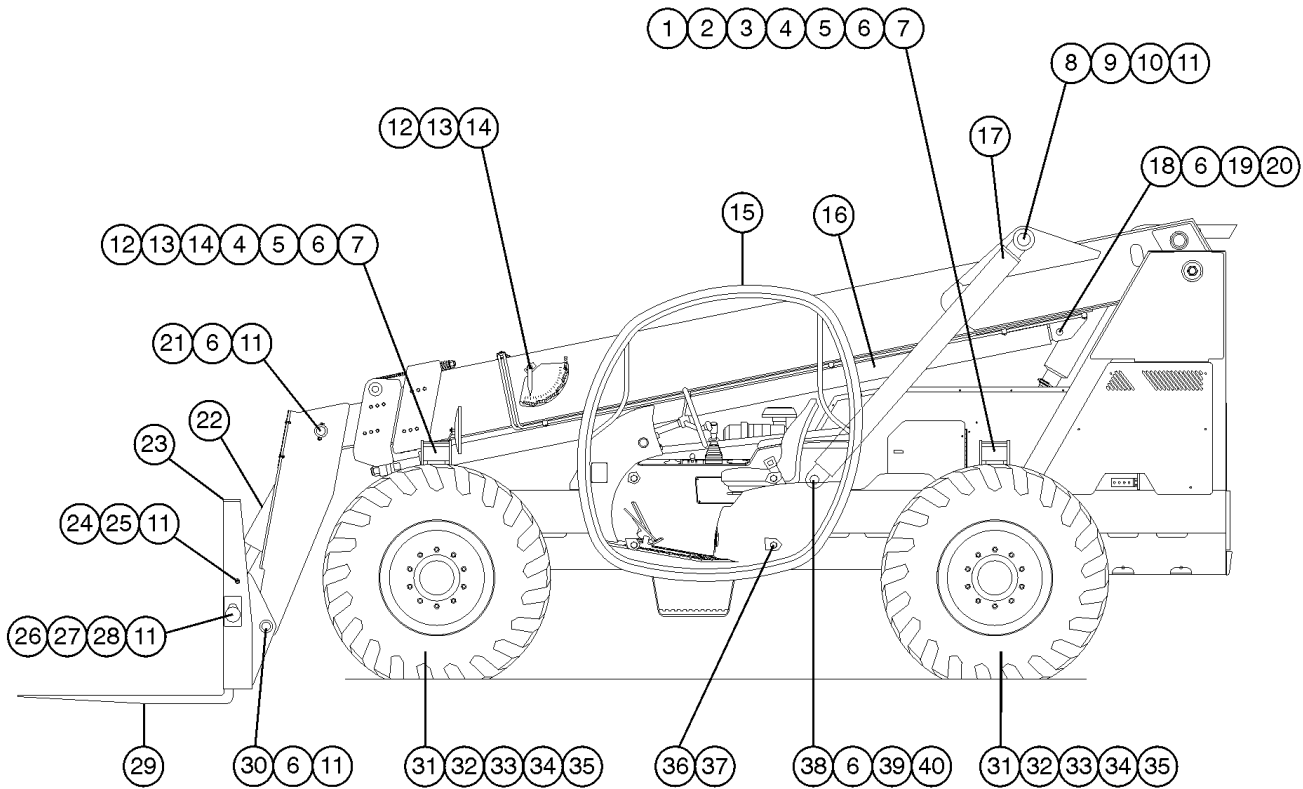




## 205.1 General Assembly, View 1

Item	Part No.	Description	Qty.
1	108460GT	WELDMENT,MAIN FRAME,TH644/8XX.....	1
2	6-5204-06GT	SCREW,HHC,1/4-20X.75,GR8.....	20
3	6-6212-04GT	WASHER,FLAT,.250, HARDENED.....	28
4	56912GT	SPRING CLIP,1/4-20,.025-.15X.54,ZAG.....	28
5	108478GT	PLATE,TOWER COVER,REAR.....	1
6	6-5204-08GT	SCREW,HHC,1/4-20X1,GR8.....	12
7	108477GT	PLATE,TOWER COVER,SIDE.....	2
8	6-5212-48GT	SCREW,3/4-10X6.....	6
9	74323GT	WASHER,FLAT,.812X2X.14 HARDEN...6	6
10	77051GT	NUT,NYLOCK,3/4-10,GRD.8.....	6
11	5-2070GT	Counterweight / Cast.....	5
12	108576GT	FORMING,HOSE GUIDE.....	2
13		Ref. SWAY CYLINDER (refer to 905.1)	
14	117923GT	PIN,1.50 DIA X 5.13,NOTCHED.....	4
15	108479GT	PLATE, FRONT CHASSIS COVER.....	2
16	6-5208-30GT	SCREW,HHC,1/2-13X3.75,GR8.....	2
17	5-2041-31GT	PIN,2.00DIA X 7.63,ONE HOLE.....	2
18	6198GT	NUT,NYLOCK,1/2-13.....	2
19	13918GT	SCREW,HHC,3/8-16 X 1.75,GRD.8.....	4
20	825019GT	ROD END,.375X3.69,ZAG.....	8
21	5-2041-11GT	PIN,1.50 DIA X 7.95 LG,1 HOLE.....	4
22	19934GT	WASHER,3/8 HARD.STEEL-FLAT,USS.....	10
23	6-6205-06GT	NUT,NYLOCK,3/8-16.....	8
24	123142GT	MIRROR,8 1/2,CONVEX.....	1
25	77692GT	SCREW,HHC,3/8-16 X 1 GRD 8.....	1
26	19934GT	WASHER,3/8 HARD.STEEL-FLAT,USS.....	1
27	7713GT	NUT, LP NYLOCK, 3/8-16.....	1

206.1 General Assembly, View 2



## 206.1 General Assembly, View 2

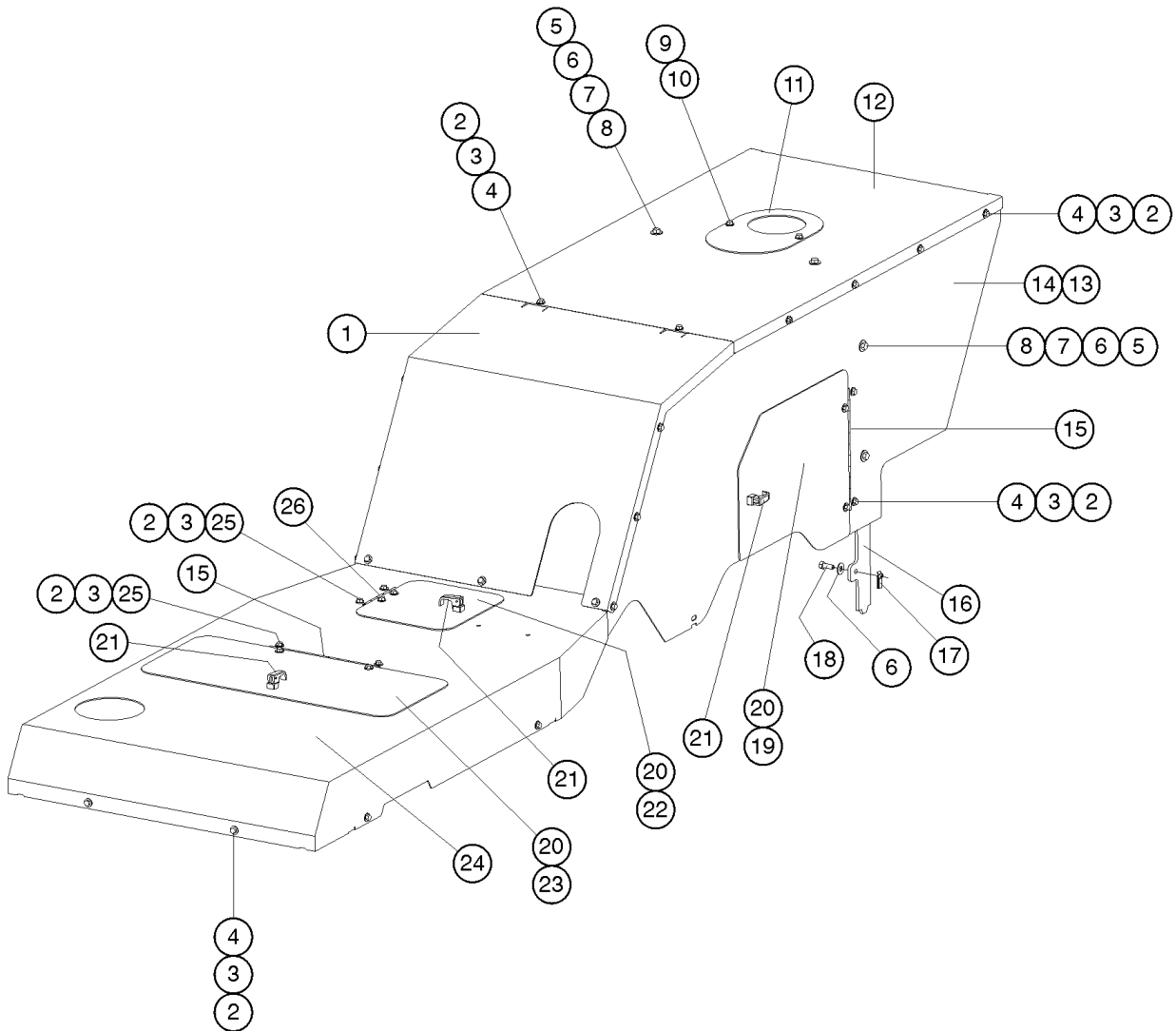
Item	Part No.	Description	Qty.	Item	Part No.	Description	Qty.
1		Ref. CYLINDER, REAR LOCK (refer to 906.1)		29C	1255052GT	WELDMENT,FORK TINE,72"	
2		Ref. PIN, HEAD SWAY CYLINDER (refer to 205.1)		30		Ref. PIN, FORK FRAME (refer to 1006.1)	
3		Ref. PIN, BASE SWAY CYLINDER (refer to 205.1)		31A	7-166-19GT	TIRE,CHLORIDE,RIGHT,1400X24 (exhaust side)	
4	13918GT	SCREW,HHC,3/8-16 X 1.75,GRD.8.....8		--	123232GT	TIRE,14.00 X 24 G3000 10K,12PR (replaced 123570)	
5	19934GT	WASHER,3/8 HARD.STEEL-FLAT,USS.....10		--	130312GT	WHEEL,9.5MM RIMSHELL	
6	4828GT	NUT,NYLOCK,3/8-16.....9		--	7-229-830GT	WHEEL NUT	
7	825019GT	ROD END,.375X3.69,ZAG.....8		31B	7-166-20GT	TIRE,CHLORIDE,LEFT,1400X24 (cab side)	
8	117926GT	PIN,2.50 DIA X 39.38,2 HOLE.....1		--	123232GT	TIRE,14.00 X 24 G3000 10K,12PR (replaced 123570)	
9	6-2524-10GT	COLLAR.....2		--	130312GT	WHEEL,9.5MM RIMSHELL	
10	22786GT	SCREW,HHC,1/2-13 X 5.5.....2		--	7-229-830GT	WHEEL NUT	
11	6198GT	NUT,NYLOCK,1/2-13.....6		31C	7-166-18GT	TIRE,CHLORIDE,LEFT,1300X24 (exhaust side)	
12	May-31GT	PLATE,ANGLE INDICATOR.....1		--	130312GT	WHEEL,9.5MM RIMSHELL	
13	47094GT	SCREW,HHC,5/16-18 X .50.....1		--	7-166-06GT	TIRE, 13.00 X 24 G3000	
14	5397GT	WASHER,FLAT,USS,5/16",Y.....1		--	7-229-830GT	WHEEL NUT	
15		Ref. CAB (refer to 601.1, 602.1, and 603.1)		31D	7-166-17GT	TIRE,CHLORIDE,RIGHT,1300X24 (cab side)	
16		Ref. BOOM CYLINDER (refer to 904.1, GTH-644 and GTH-844 or 905.1, GTH-842)		--	130312GT	WHEEL,9.5MM RIMSHELL	
17		Ref. LIFT CYLINDER (refer to 901.1, GTH-844 or 902.1, GTH-644 and GTH-842)		--	7-166-06GT	TIRE, 13.00 X 24 G3000	
18	5-2041-25GT	PIN,1.50 DIA X 5.38,ONE HOLE.....1		--	7-229-830GT	WHEEL NUT	
19	5224GT	SCREW,HHC,3/8-16 X 2.....1		32A	7-128-11GT	TIRE,ROCKLUG,CHLORIDE,RH,1400 (exhaust side)	
20	104328GT	NUT,HEX,1/2-13 GRD 8.....2		--	130312GT	WHEEL,9.5MM RIMSHELL	
21	141950GT	PIN,2.00DIA X 13.13,TAPPED,NIT.....1		--	7-128-02GT	TIRE,TITAN E-3/L3-3 1400X24	
22		Ref. TILT CYLINDER (refer to 903.1)		--	7-229-830GT	WHEEL NUT	
23	4-1525GT	FORK FRAME, 48" NONROT PIN 844 (from SNs TH0606A-8418 & TH0606B-6271 (644 MODELS) TH0806A-8454 & TH0806B-6958 (842 MODELS) TH0806A-8454 & TH0606B-6956 (842 MODELS), specify Genie Gray) (before these serial numbers, specify Basalt Gray)		32B	7-128-12GT	TIRE,ROCKLUG,CHLORIDE,LH,1400* (cab side)	
24	5-2041-21GT	PIN,2.00 DIA X 8.13,ONE HOLE.....1		--	130312GT	WHEEL,9.5MM RIMSHELL	
25	6-5208-30GT	SCREW,HHC,1/2-13X3.75,GR8.....5		--	7-128-02GT	TIRE,TITAN E-3/L3-3 1400X24	
26		Ref. PIN, FORK TINE (refer to 1006.1)		--	7-229-830GT	WHEEL NUT	
27		Ref. COLLAR, FORK TINE PIN (refer to 1006.1)		33A	7-166-25GT	TIRE,FOAM,RIGHT,1400X24*** (exhaust side)	
28	13854GT	SCREW,HHC,1/2-13 X 4.5,GRD.8.....1		--	123232GT	TIRE,14.00 X 24 G3000 10K,12PR (replaced 123570)	
29A	1255050GT	WELDMENT,FORK TINE,48"		--	130312GT	WHEEL,9.5MM RIMSHELL	
29B	1255051GT	WELDMENT,FORK TINE,60"		--	7-229-830GT	WHEEL NUT	
				33B	7-166-26GT	TIRE,FOAM,LEFT,1400X24*** (cab side)	

206.1 General Assembly, View 2  
(continued)

Item	Part No.	Description	Qty.
--	123232GT	TIRE,14.00 X 24 G3000 10K,12PR (replaced 123570)	
--	130312GT	WHEEL,9.5MM RIMSHELL	
--	7-229-830GT	WHEEL NUT	
33C	7-166-24GT	TIRE,FOAM,LEFT,1300X24*** (exhaust side)	
--	130312GT	WHEEL,9.5MM RIMSHELL	
--	7-166-06GT	TIRE, 13.00 X 24 G3000	
--	7-229-830GT	WHEEL NUT	
33D	7-166-23GT	TIRE,FOAM,RIGHT,1300X24*** (cab side)	
--	130312GT	WHEEL,9.5MM RIMSHELL	
--	7-166-06GT	TIRE, 13.00 X 24 G3000	
--	7-229-830GT	WHEEL NUT	
34A	7-128-15GT	TIRE,ROCKLUG,FOAM,RH,1400 (exhaust side)	
--	130312GT	WHEEL,9.5MM RIMSHELL	
--	7-128-02GT	TIRE,TITAN E-3/L3-3 1400X24	
--	7-229-830GT	WHEEL NUT	
34B	7-128-16GT	TIRE,ROCKLUG,FOAM,LH,1400 (cab side)	
--	130312GT	WHEEL,9.5MM RIMSHELL	
--	7-128-02GT	TIRE,TITAN E-3/L3-3 1400X24	
--	7-229-830GT	WHEEL NUT	
34C	226606GT	TIRE,ROCKLUG,FOAM,1300X24 (both sides)	
--	130312GT	WHEEL,9.5MM RIMSHELL	
--	7-128-01GT	TIRE,TITAN E-3/L3-3 1300X24	
--	7-229-830GT	WHEEL NUT	
35	108097GT	AIR TIRES,13X24+COUNTERWEIGHT	
--	130312GT	WHEEL,9.5MM RIMSHELL	
--	7-166-07GT	TIRE,AIR,RIGHT,1300X24	
--	7-166-08GT	TIRE,AIR,LEFT,1300X24	
--	7-229-830GT	WHEEL NUT	
36	6-5220-20GT	SCREW,HHC,1 1/4-7X2.5,GR8.....4	
37	6-6211-20GT	WASHER,LOCK,1 1/4.....4	
38		Ref. PIN, BASE CYLINDER (refer to 205.1)	
39	104328GT	NUT,HEX,1/2-13 GRD 8.....2	
40	6033GT	WASHER,LOCK,0.5".....2	

*This Page Intentionally Left Blank*

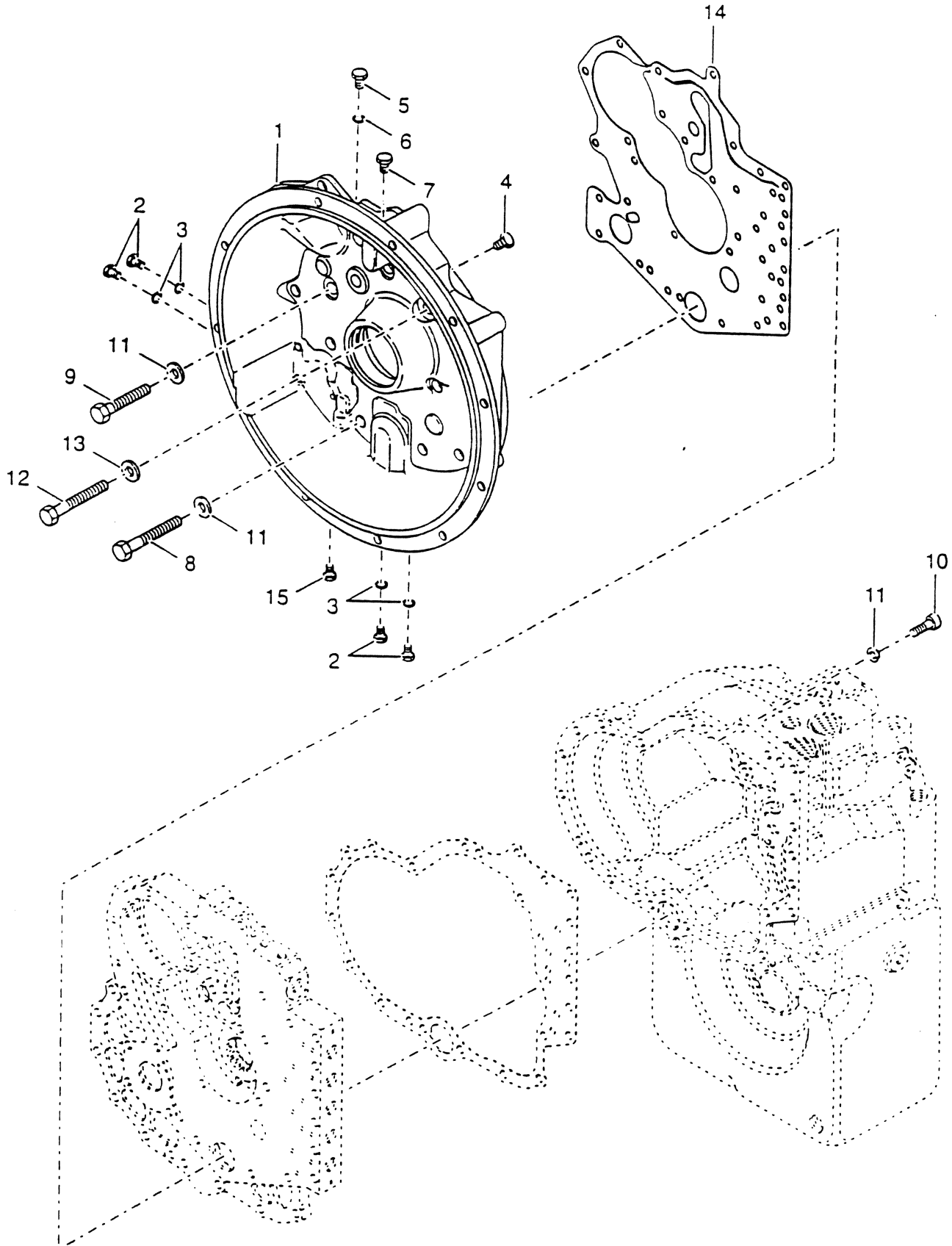
207.1 Engine Enclosure Assembly



## 207.1 Engine Enclosure Assembly

Item	Part No.	Description	Qty.
1	130485GT	KIT,MID ENGINE COVER.....	1
1	130506GT	KIT, FRONT ENGINE COVER	
2	6-5204-06GT	SCREW,HHC,1/4-20X.75,GR8.....	45
3	6-6212-04GT	WASHER,FLAT,.250, HARDENED.....	47
4	56912GT	SPRING CLIP,1/4-20,.025-.15X.54,ZAG.....	29
5	77692GT	SCREW,HHC,3/8-16 X 1 GRD 8.....	6
6	6097GT	WASHER,FLAT,USS,3/8",Y.....	6
7	108581GT	SPRING CLIP,3/8-16 LG ZINC.....	6
8	7-173-11GT	LOOP CLAMP,COATED, #44.....	2
9	8914GT	SCREW,HHC,1/4-20 X .625.....	2
10	6889GT	NUT,LP NYLOCK,1/4-20.....	2
11	117513GT	PLATE,RADIATOR FILL COVER.....	1
12	117149GT	COVER, TOP ENGINE.....	1
13	130883GT	PLATE,ENG COVER,EXHAUST SIDE	
14	130884GT	PLATE,ENG COV,NON-EXHAUST SIDE	
15	117539GT	HINGE,BAT COV & ENG ENCLOSURE.....	2
16	117152GT	FORMING,ENG COVER SUPPORT.....	1
17	29868GT	SPRING CLIP,3/8-16,.05-.20X.73,ZAG...3	3
18	123559GT	SCREW,HHC,3/8-16X1.25GR8.....	3
19	130885GT	PLATE,ENGINE COVER,DOOR	
20	46716GT	BUMPER, SNAP-IN.....	14
21	7-195-01GT	LATCH, COMPRESSION, SMALL.....	4
22	5-2001-9GT	COVER,ENGINE ACCESS.....	1
23	5-2001-8GT	COVER,BATTERY ACCESS.....	1
24		Ref., COVER,FRONT ENGINE..... (use 130506GT Kit, Front Engine Cover)	1
25	6091GT	NUT,NYLOCK,1/4-20.....	16
26	123556GT	HINGE,ACCESS COVER.....	1

301.1 Transmission Converter Housing Assembly, T12000

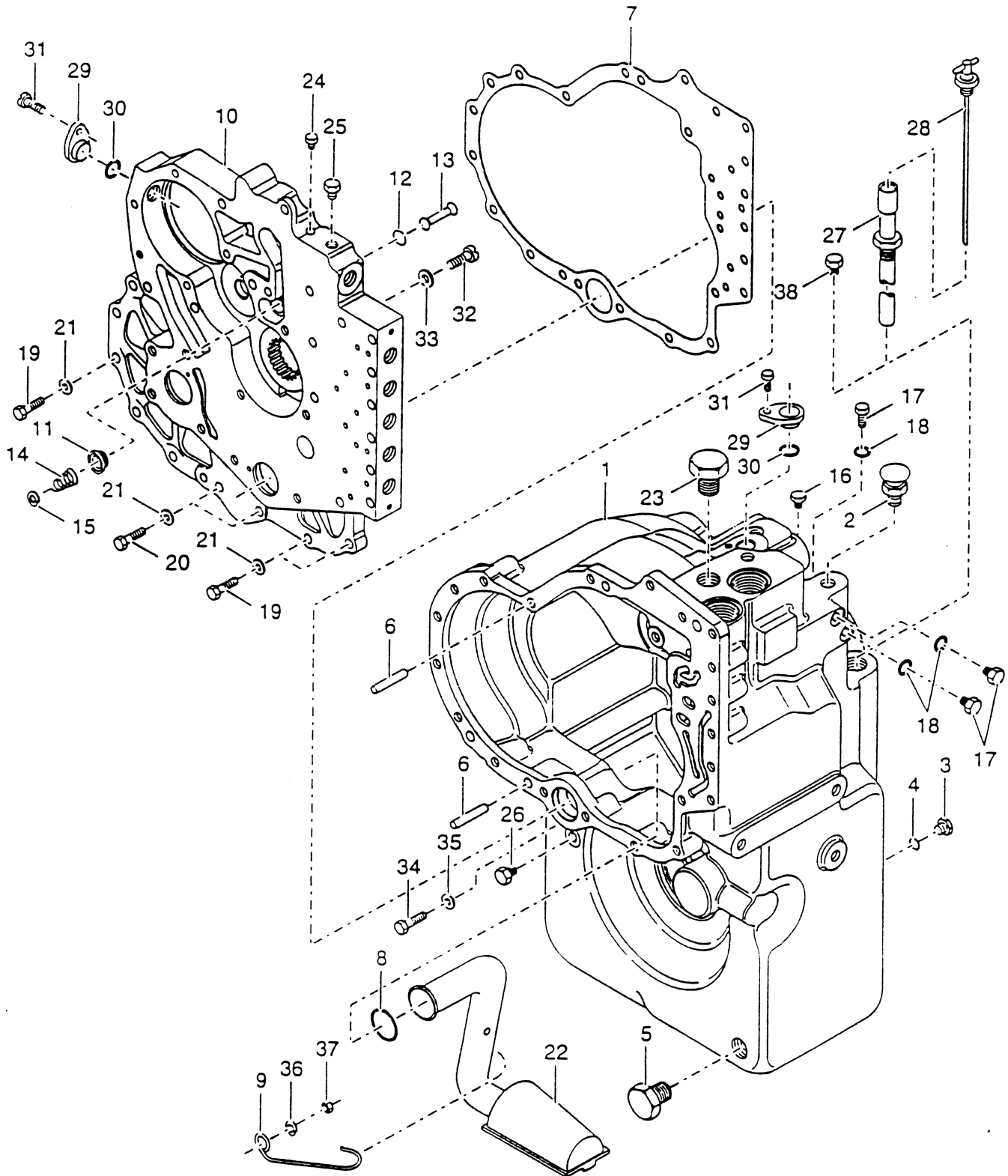




## 301.1 Transmission Converter Housing Assembly, T12000

Item	Part No.	Description	Qty.
1	7-126-384GT	CONVERTER HOUSING.....	1
2	7-126-385GT	PLUG..... <i>(includes item 3)</i>	4
3	7-126-386GT	O-RING.....	4
4	7-126-387GT	PLUG.....	1
5	7-126-385GT	PLUG..... <i>(includes item 6)</i>	1
6	7-126-386GT	O-RING.....	1
7	7-126-04GT	PIPE PLUG.....	1
8	7-126-388GT	BOLT.....	6
9	7-126-389GT	BOLT.....	3
10		SCREW..... <i>(no longer available)</i>	1
11	7-126-391GT	LOCKWASHER.....	10
12	7-126-389GT	BOLT.....	13
13	7-126-391GT	LOCKWASHER.....	13
14	7-126-355GT	HOUSING GASKET.....	1
15		WASHER <i>(not used on this model)</i>	
16	7-126-688GT	PLUG..... <i>(not used on this model)</i>	1
17		WASHER <i>(not used on this model)</i>	

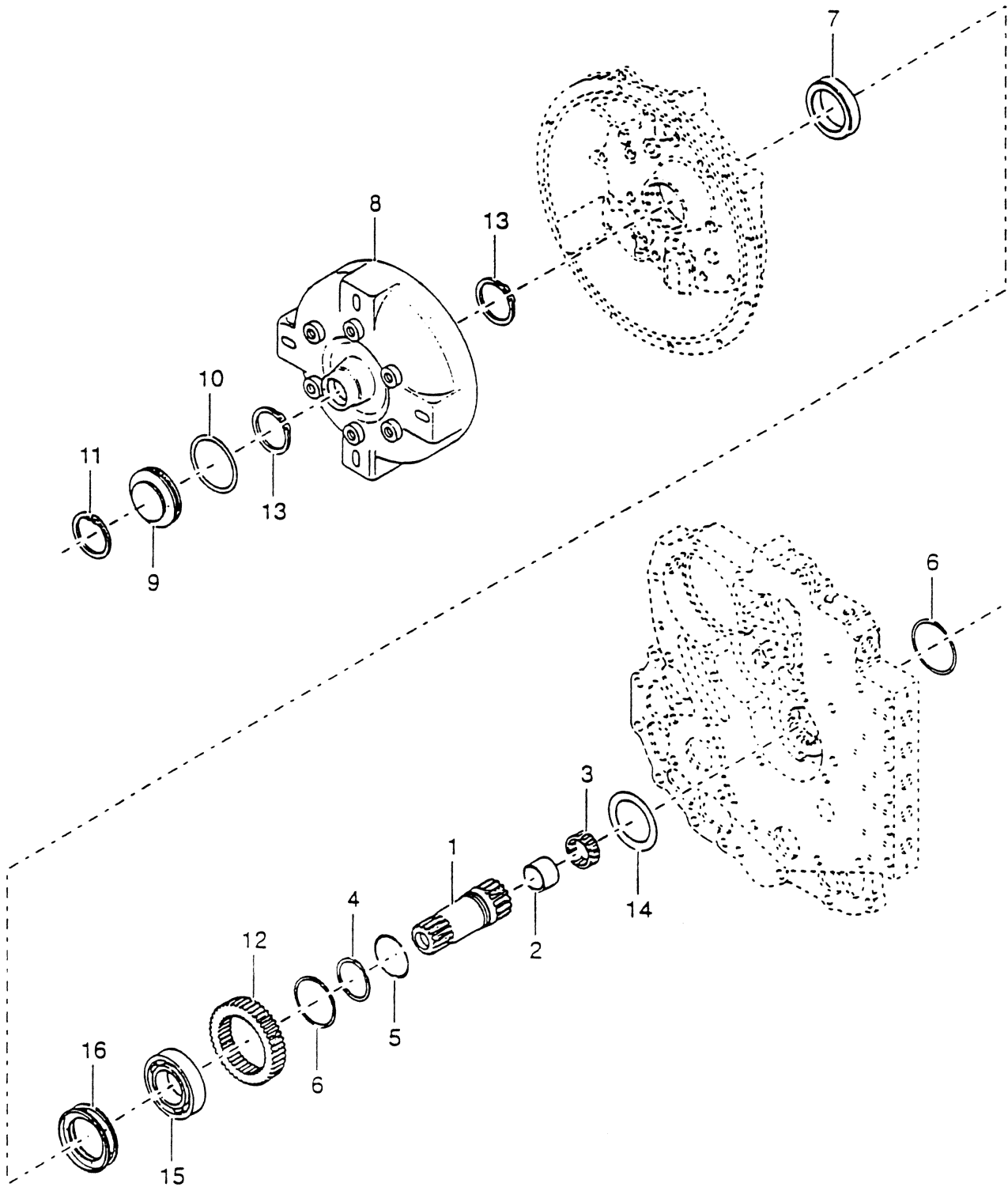
302.1 Transmission Case and Plate Assembly, T12000



## 302.1 Transmission Case and Plate Assembly, T12000

Item	Part No.	Description	Qty.
--	226454GT	SENDER/SWITHC,TRANS OIL TEMP....1	
--	226456GT	SENDER,TEMP TRANSMISSION.....1	
1	7-126-394GT	TRANSMISSION CASE.....1	
2	7-126-05GT	BREATHER / AIR.....1	
3	7-126-395GT	PLUG w/ O-RING.....2 <i>(includes item 4)</i>	
4	7-126-358GT	O-RING / PLUG.....2	
5	7-126-33GT	PLUG,MAGNETIC DRAIN.....1	
7	7-126-357GT	GASKET / PLATE TO TRANS.....1	
8	7-126-359GT	SEAL / OIL SUPPLY TUBE.....1	
11	7-126-399GT	TRANSMISSION,SPRING,SEAT.....1	
12	7-126-400GT	SNAP RING.....1	
13	7-126-401GT	POPPET.....1	
14	7-126-402GT	SPRING.....1	
15	7-126-403GT	WASHER.....1	
16	7-126-387GT	PLUG.....1	
17	7-126-385GT	PLUG.....3 <i>(includes item 18)</i>	
18	7-126-386GT	O-RING.....3	
21	7-126-391GT	LOCKWASHER.....9	
22	7-126-392GT	TUBE & SCREEN ASSEMBLY.....1	
23	7-126-265GT	PIPE PLUG.....1	
24	7-126-387GT	PLUG.....1	
25	7-126-04GT	PIPE PLUG.....1	
27	7-126-270GT	ASSY,DIPSTICK.....1	
28	7-126-671GT	DIPSTICK.....1	
29	7-126-404GT	PLUG,SPEED SENSOR PORT.....2	
30	7-126-356GT	O-RING,SPEED SENSOR.....2	
31	7-126-405GT	SCREW,SPEED SENSOR.....2	
32	7-126-388GT	BOLT.....1	
33	7-126-407GT	WASHER.....1	
34	7-126-409GT	WASHER.....1	
35	7-126-410GT	NUT.....1	

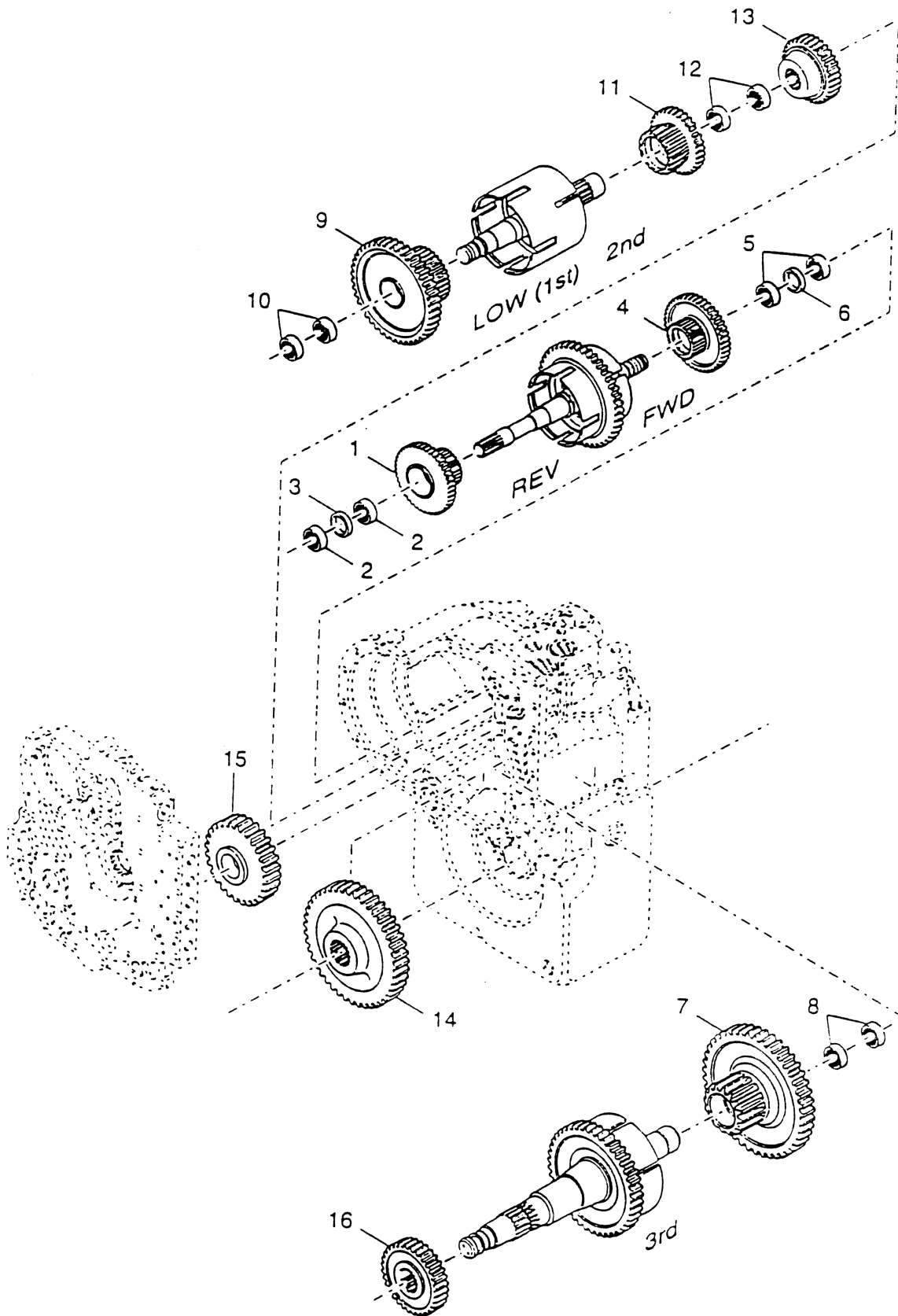
303.1 Transmission Torque Converter Assembly, T12000



## 303.1 Transmission Torque Converter Assembly, T12000

Item	Part No.	Description	Qty.
1	7-126-411GT	STATOR SUPPORT	
2	7-126-412GT	BUSHING.....	1
3	7-126-413GT	BEARING / NEEDLE.....	1
4	7-126-414GT	RING.....	1
5	7-126-415GT	EXPANDER.....	1
6	7-126-416GT	SNAP RING.....	2
7	7-126-360GT	OIL SEAL / CONV.HOUSING.....	1
8	7-126-518GT	CONVERTER.....	1
9	7-126-234GT	PLUG.....	1
10	7-126-233GT	O-RING.....	1
11	7-126-277GT	RETAINING RING.....	1
12	7-126-417GT	GEAR.....	1
13	7-126-418GT	SNAP RING.....	2
14	7-126-419GT	THRUST WASHER.....	1
15	7-126-420GT	BEARING.....	1
16	7-126-421GT	RING-OIL DISTRIBUTOR.....	1

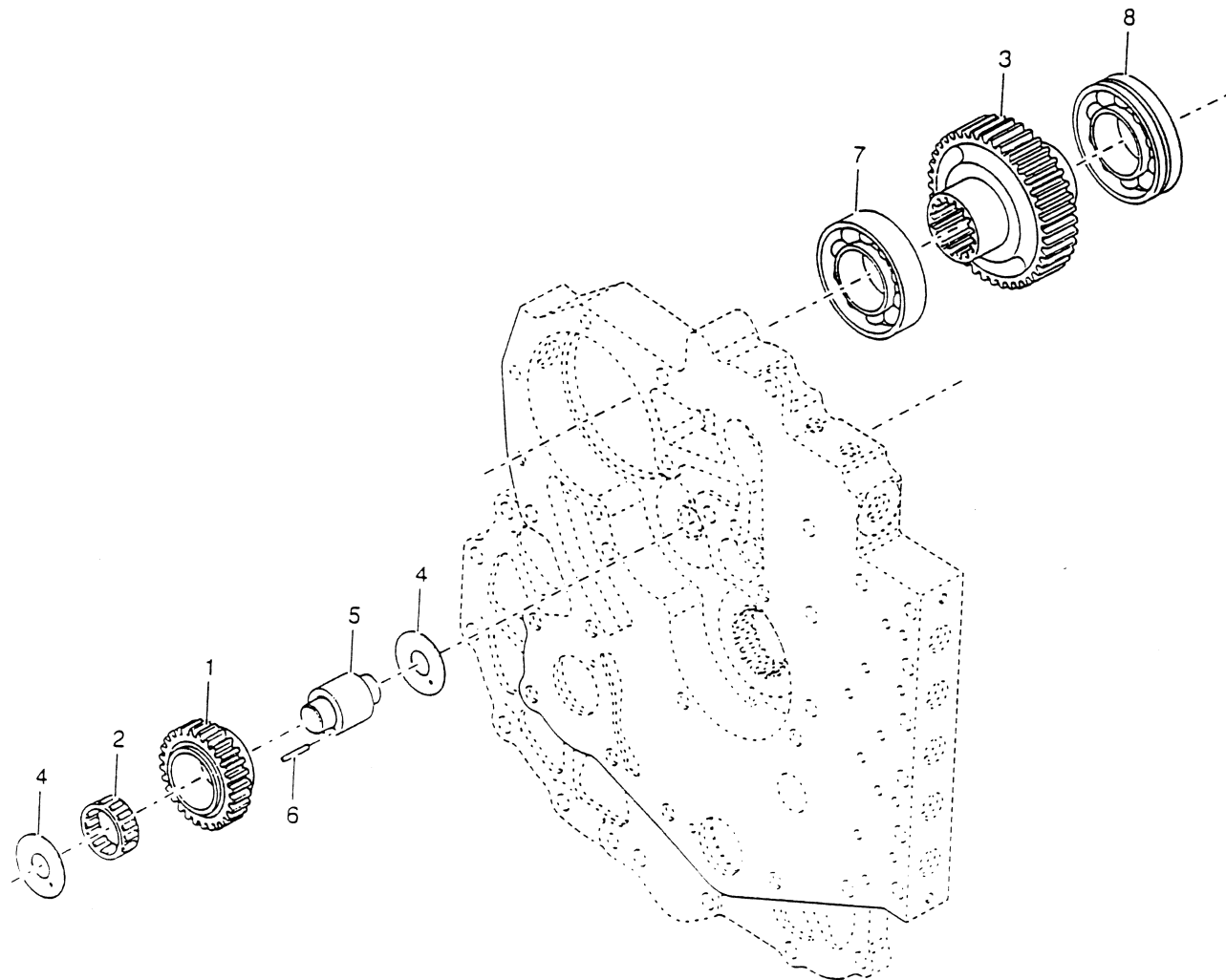
304.1 Transmission Gear Assembly, T12000



## 304.1 Transmission Gear Assembly, T12000

Item	Part No.	Description	Qty.
1	7-126-422GT	REV CLUTCH GEAR & BEARING ASSY <i>(includes items 2-3)</i>	
2	7-126-423GT	BEARING.....	2
3	7-126-424GT	SPACER.....	1
4	7-126-425GT	ASSY,GEAR & BEARING <i>(includes items 5-6)</i>	
5	7-126-423GT	BEARING.....	2
6	7-126-424GT	SPACER.....	1
7	7-126-428GT	GEAR WITH BEARING <i>(includes item 8)</i>	
8	7-126-429GT	BEARING.....	2
9		BEARING <i>(no longer available)</i>	
10	7-126-423GT	BEARING.....	2
11	7-126-432GT	2ND GEAR CLUTCH/BEARING ASSY <i>(includes item 12)</i>	
12	7-126-423GT	BEARING.....	2
13		THIRD DRIVEN GEAR..... <i>(no longer available)</i>	1
14		OUTPUT SHAFT..... <i>(no longer available)</i>	1
15	7-126-431GT	REVERSE IDLER GEAR.....	1
16		FIRST DRIVEN GEAR..... <i>(no longer available)</i>	1

305.1 Transmission Pump Drive Assembly, T12000

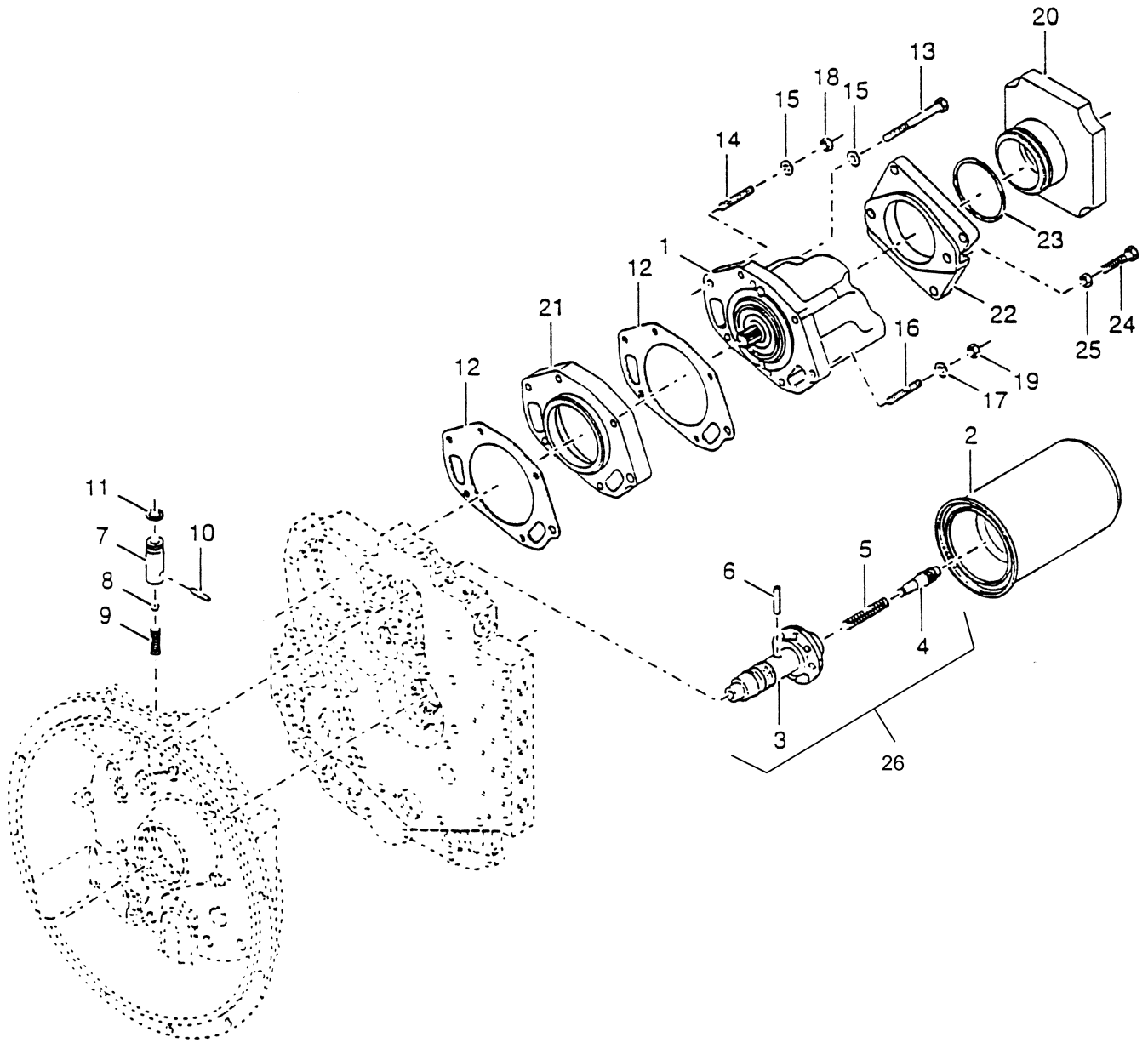




## 305.1 Transmission Pump Drive Assembly, T12000

Item	Part No.	Description	Qty.
1	7-126-434GT	PUMP DRIVE IDLER GEAR.....	1
2	7-126-435GT	BEARING.....	1
3	7-126-436GT	GEAR.....	1
4	7-126-437GT	WASHER.....	2
5	7-126-438GT	PUMP DRIVESHAFT & PIN ASSMBLY (includes item 6)	
6	7-126-439GT	ROLL PIN.....	1
7	7-126-440GT	BEARING,BALL.....	1
8	7-126-441GT	BEARING.....	1

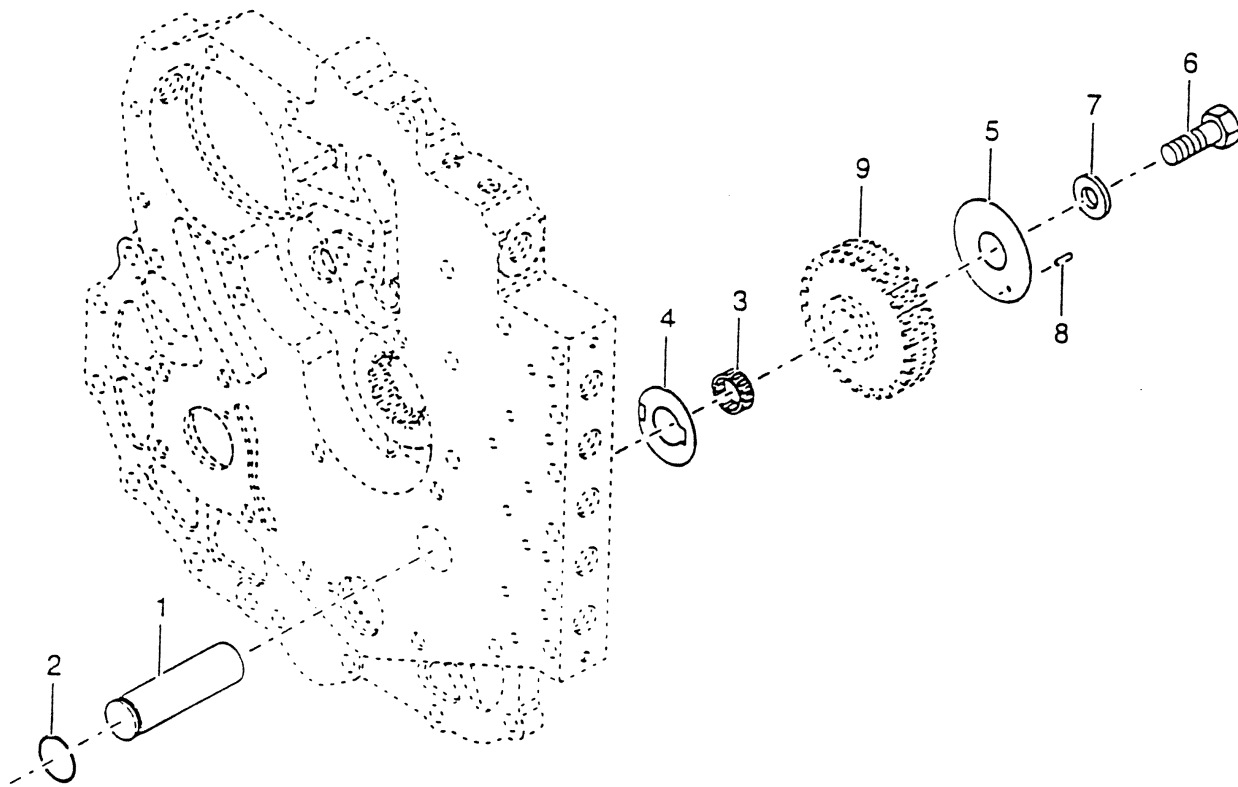
306.1 Transmission Charging Pump Assembly, T12000



## 306.1 Transmission Charging Pump Assembly, T12000

Item	Part No.	Description	Qty.
1	7-126-350GT	CHARGE PUMP ASSY.....	1
--	138077GT	PUMP SEAL, MICKEY MOUSE	
--	7-126-684GT	SEAL KIT, CHARGE PUMP	
2	7-126-349GT	TRANSMISSION OIL FILTER.....	1
3	7-126-442GT	REGULATOR VALVE SLEEVE.....	1
4	7-126-443GT	PISTON.....	1
5	7-126-444GT	SPRING.....	1
6	7-126-445GT	NEEDLE ROLLER.....	1
7	7-126-446GT	CHECK VALVE..... <i>(includes items 7-11)</i>	1
8		BALL CHECK VALVE ASSEMBLY..... <i>(no longer available)</i>	1
9	7-126-448GT	SPRING.....	1
10		CHECK VALVE PIN..... <i>(no longer available)</i>	1
11	7-126-361GT	O-RING.....	1
12	7-126-362GT	GASKET / ADAPTER to PLATE.....	2
13	7-126-450GT	SCREW.....	4
14	7-126-451GT	MOUNTING STUDS.....	1
15		LOCK WASHER..... <i>(no longer available)</i>	5
16	7-126-453GT	MOUNTING STUD.....	1
17	7-126-391GT	LOCKWASHER.....	1
18		NUT..... <i>(no longer available)</i>	1
19	7-126-410GT	NUT.....	1
20	7-126-522GT	PUMP DRIVE ADAPTOR.....	1
21	7-126-455GT	ADAPTER / PUMP.....	1
22	7-126-521GT	PLATE.....	1
23	7-126-520GT	O-RING.....	1
24	7-126-519GT	SCREW,PUMP MTG.PERMANENT COVER.....	2
25	7-126-215GT	LOCKWASHER,PUMP COVER SCREW.....	2
26	7-126-456GT	VALVE / REGULATOR..... <i>(includes items 3-6)</i>	1

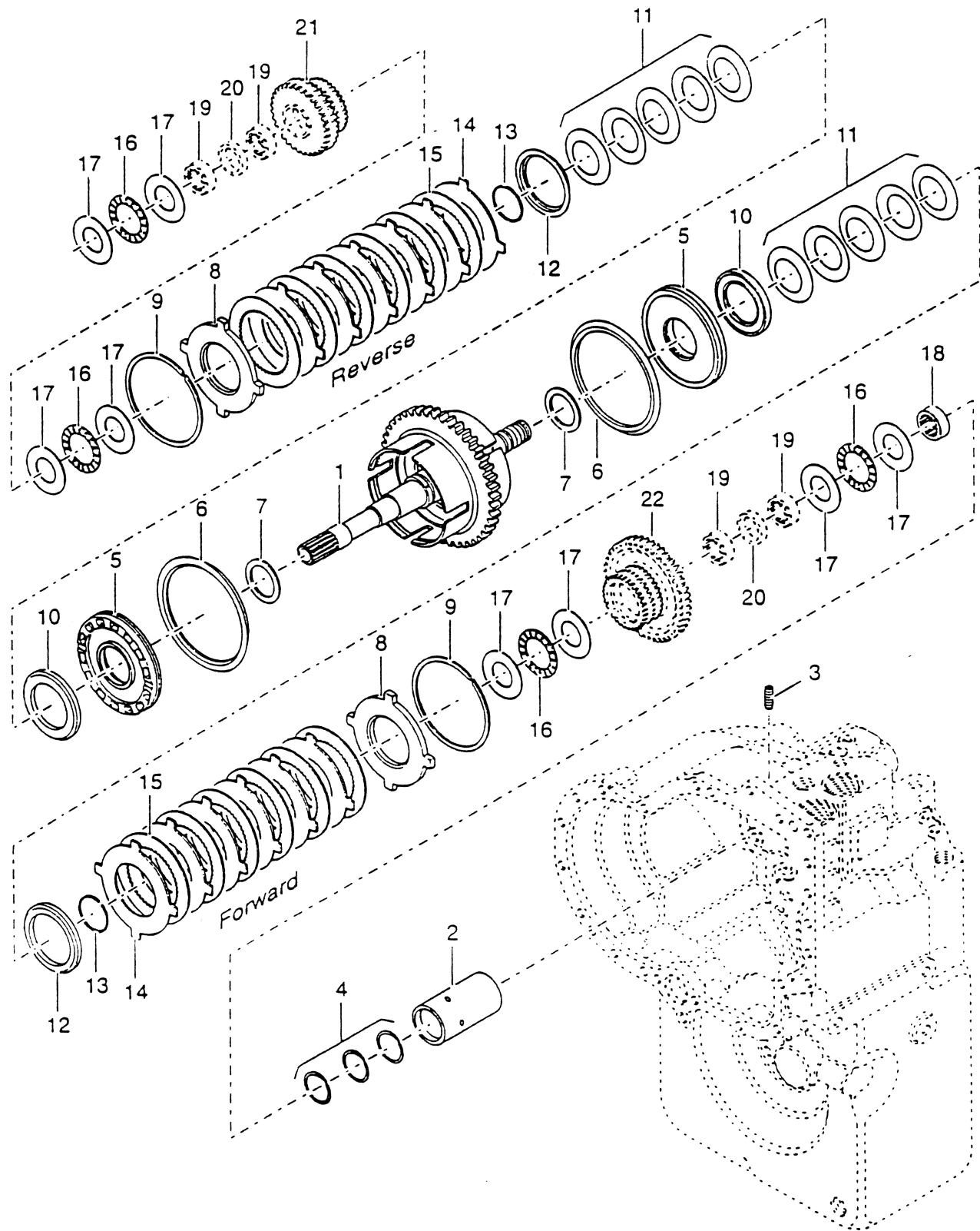
307.1 Transmission Reverse Idler Assembly, T12000



## 307.1 Transmission Reverse Idler Assembly, T12000

Item	Part No.	Description	Qty.
1	7-126-457GT	IDLER SHAFT.....	1
2	7-126-458GT	SNAP RING.....	1
3	7-126-459GT	BEARING.....	1
4	7-126-460GT	THRUST WASHER.....	1
5	7-126-461GT	END PLATE.....	1
6		CAP SCREW..... <i>(no longer available)</i>	1
7		WASHER..... <i>(no longer available)</i>	1
8	7-126-464GT	PIN.....	1
9	7-126-431GT	REVERSE IDLER GEAR.....	1

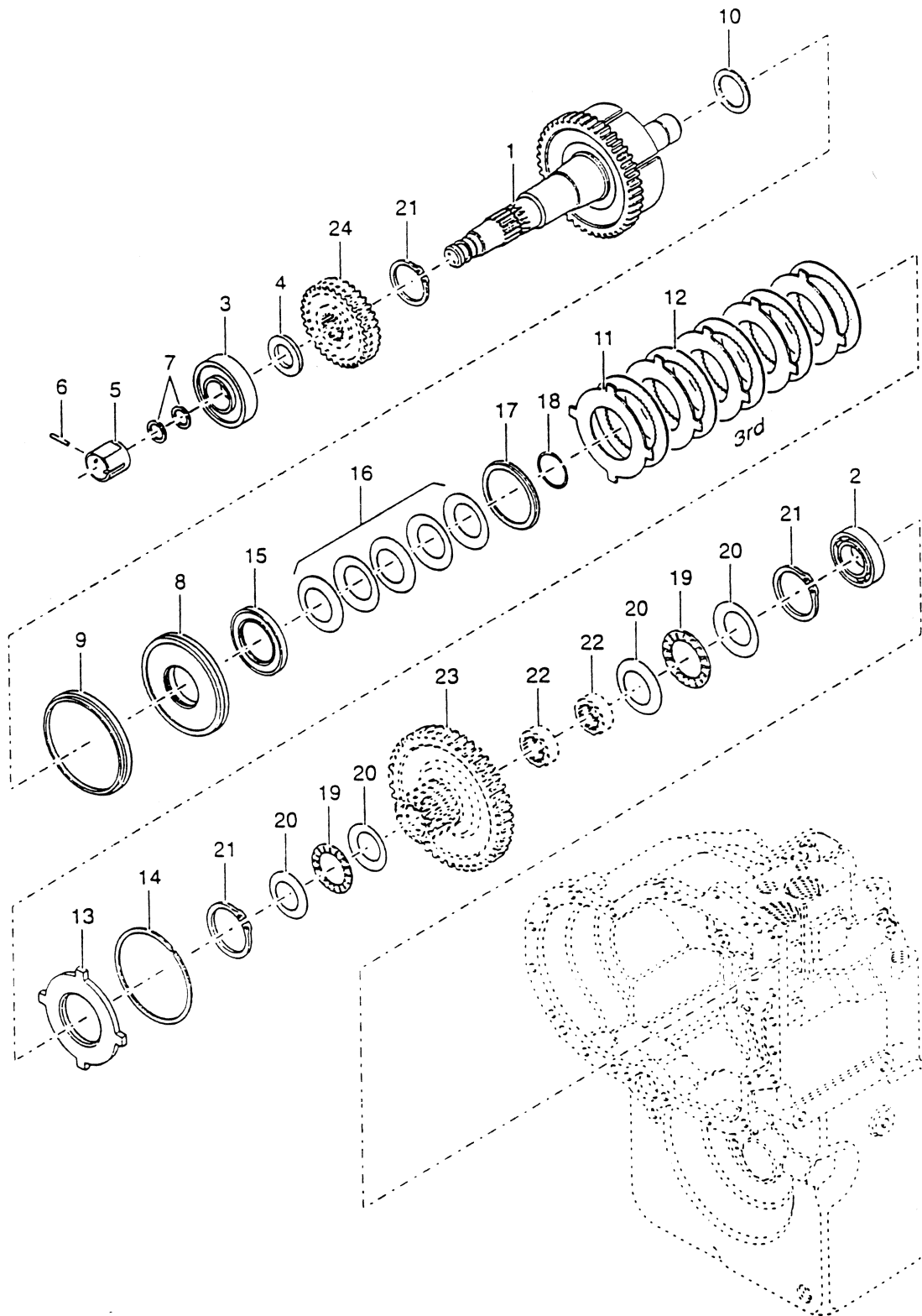
308.1 Transmission Forward and Reverse Shaft Assembly, T12000



## 308.1 Transmission Forward and Reverse Shaft Assembly, T12000

Item	Part No.	Description	Qty.
1	7-126-465GT	TURBINE SHAFT DRUM & PLUG ASSY.....	1
2	7-126-466GT	OIL DISTRIBUTOR SLEEVE.....	1
3		RETAINER SCREW..... <i>(no longer available)</i>	1
4	7-126-468GT	PISTON RING.....	3
5	7-126-469GT	PISTON & SEAL ASSEMBLY..... <i>(includes items 6-7)</i>	2
6	7-126-470GT	SEAL.....	2
7	7-126-471GT	SEAL.....	2
8	7-126-472GT	PLATE.....	2
9	7-126-473GT	SNAP RING.....	2
10	7-126-474GT	WEAR RING.....	2
11	7-126-475GT	DISC SPRING ASSEMBLY.....	2
12	7-126-476GT	RETAINER.....	2
13	7-126-477GT	RETAINER.....	2
14	7-126-478GT	OUTER DISC, FIRST..... <i>(6 forward, 6 reverse)</i>	12
15	7-126-479GT	DISC..... <i>(6 forward, 6 reverse)</i>	12
16	7-126-480GT	BEARING.....	4
17	7-126-481GT	WASHER.....	8
18		REAR TURBINE SHAFT BEARING..... <i>(no longer available)</i>	1
19		Ref. Clutch Gear Bearing <i>(refer to 304.1)</i>	
20		Ref. Clutch Gear Bearing Spacer <i>(refer to 304.1)</i>	
21		Ref. Reverse Clutch Gear <i>(refer to 304.1)</i>	
22		Ref. Forward Clutch Gear <i>(refer to 304.1)</i>	

309.1 Transmission Third Shaft Assembly, T12000

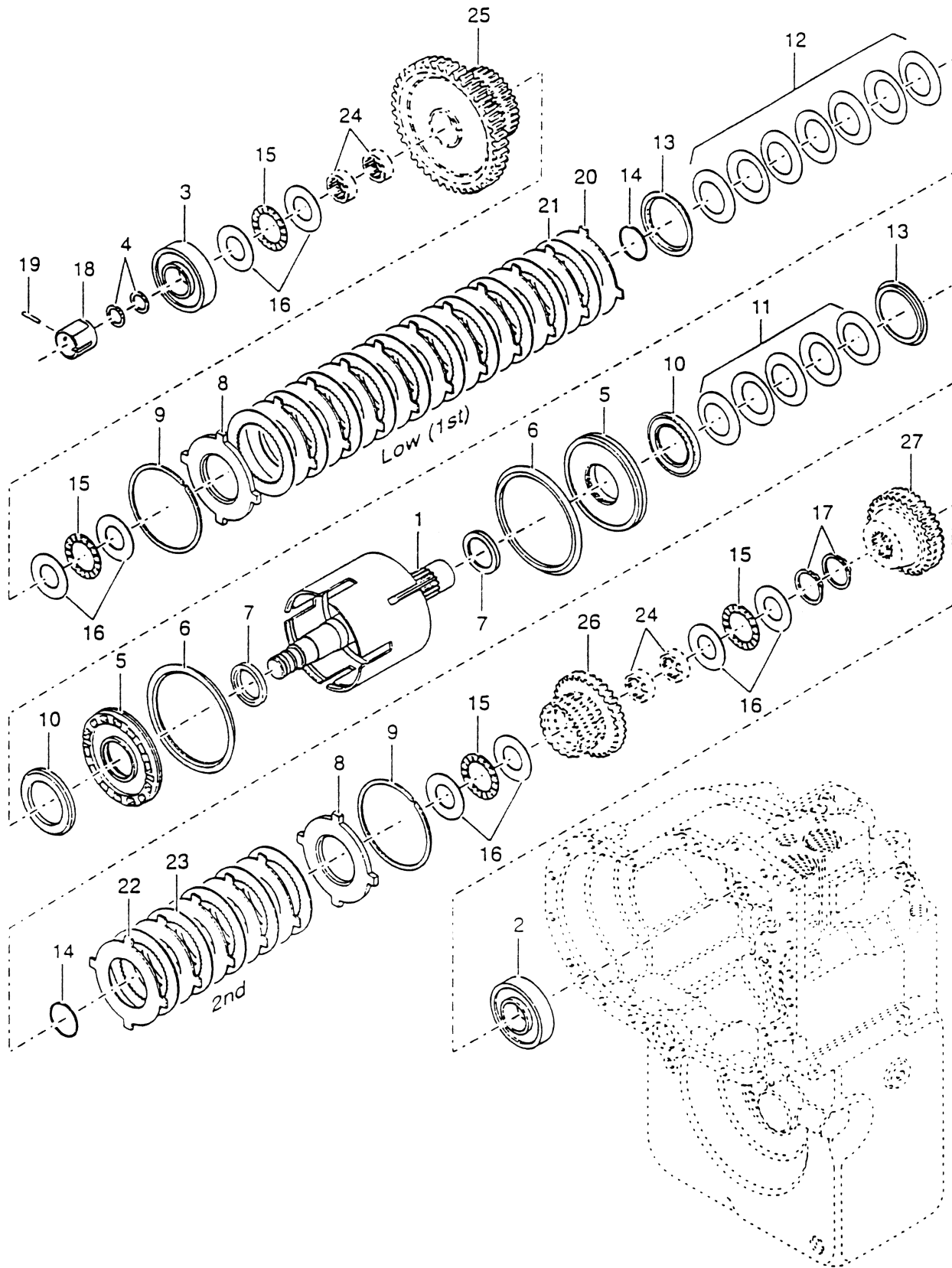




## 309.1 Transmission Third Shaft Assembly, T12000

Item	Part No.	Description	Qty.
1	7-126-483GT	3RD SHAFT-DRUM & PLUG ASSY.....	1
2	7-126-484GT	ROLLER BEARING.....	1
3	7-126-485GT	BEARING.....	1
4	7-126-486GT	WASHER.....	1
5	7-126-487GT	SLEEVE.....	1
6		Screw..... <i>(no longer available)</i>	1
7	7-126-468GT	PISTON RING.....	2
8	7-126-489GT	PISTON..... <i>(includes 9-10)</i>	1
9	7-126-470GT	SEAL.....	1
10	7-126-471GT	SEAL.....	1
11	7-126-478GT	OUTER DISC, FIRST.....	5
12	7-126-479GT	DISC.....	5
13	7-126-472GT	PLATE.....	1
14	7-126-473GT	SNAP RING.....	1
15	7-126-474GT	WEAR RING.....	1
16	7-126-475GT	DISC SPRING ASSEMBLY..... <i>(includes 5 washers)</i>	1
17	7-126-476GT	RETAINER.....	1
18		Snap Ring..... <i>(no longer available)</i>	1
19	7-126-490GT	BEARING.....	2
20	7-126-491GT	WASHER.....	4
21		Snap Ring..... <i>(no longer available)</i>	3
22		Third Clutch Bearing..... <i>(no longer available)</i>	2
23		Ref. Third Gear <i>(refer to 304.1)</i>	
24		Ref. First Gear Drive <i>(refer to 304.1)</i>	

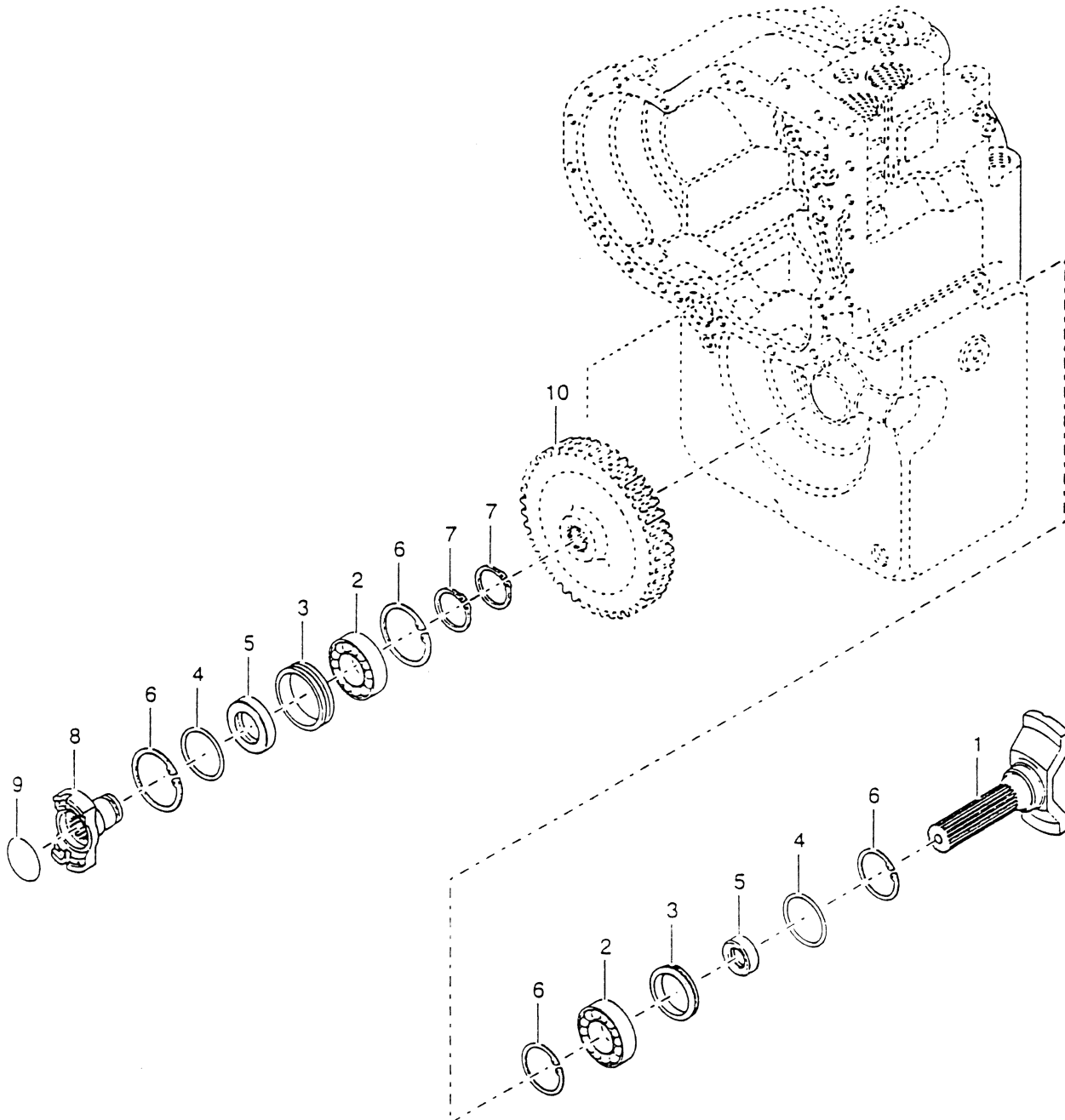
310.1 Transmission First and Second Shaft Assembly, T12000



## 310.1 Transmission First and Second Shaft Assembly, T12000

Item	Part No.	Description	Qty.
1	7-126-493GT	1ST&2ND SHAFT,DRUM,PLUG&SEAT.....	1
2	7-126-494GT	ROLLER BEARING.....	1
3	7-126-485GT	BEARING.....	1
4	7-126-468GT	PISTON RING.....	2
5	7-126-495GT	A CLU PISTON..... <i>(includes items 6 and 7)</i>	2
6	7-126-470GT	SEAL.....	2
7	7-126-471GT	SEAL.....	2
8	7-126-472GT	PLATE.....	1
9	7-126-473GT	SNAP RING.....	1
10	7-126-474GT	WEAR RING.....	1
11	7-126-475GT	DISC SPRING ASSEMBLY..... <i>(includes 5 washers)</i>	1
12	7-126-496GT	DISC SPRING ASSY..... <i>(includes 7 washers)</i>	1
13	7-126-476GT	RETAINER.....	2
14	7-126-477GT	RETAINER.....	2
15	7-126-480GT	BEARING.....	4
16	7-126-481GT	WASHER.....	8
17	7-126-497GT	SNAP RING.....	2
18	7-126-498GT	SLEEVE.....	1
19	7-126-499GT	Sleeve Retaining Screw..... <i>(no longer available)</i>	1
20	7-229-648GT	INTERMEDIATE BRAKE DISC..... <i>(outer, first)</i>	10
21	7-229-649GT	BRAKE DISC..... <i>(inner, first)</i>	10
22	7-229-648GT	INTERMEDIATE BRAKE DISC <i>(outer, second)</i>	
23	7-229-649GT	BRAKE DISC..... <i>(inner, second)</i>	5
24		Ref. Clutch Gear Bearing <i>(refer to 304.1)</i>	
25		Ref. First Clutch Gear <i>(refer to 304.1)</i>	
26		Ref. Second Clutch Gear <i>(refer to 304.1)</i>	
27		Ref. Third Driven Gear <i>(refer to 304.1)</i>	

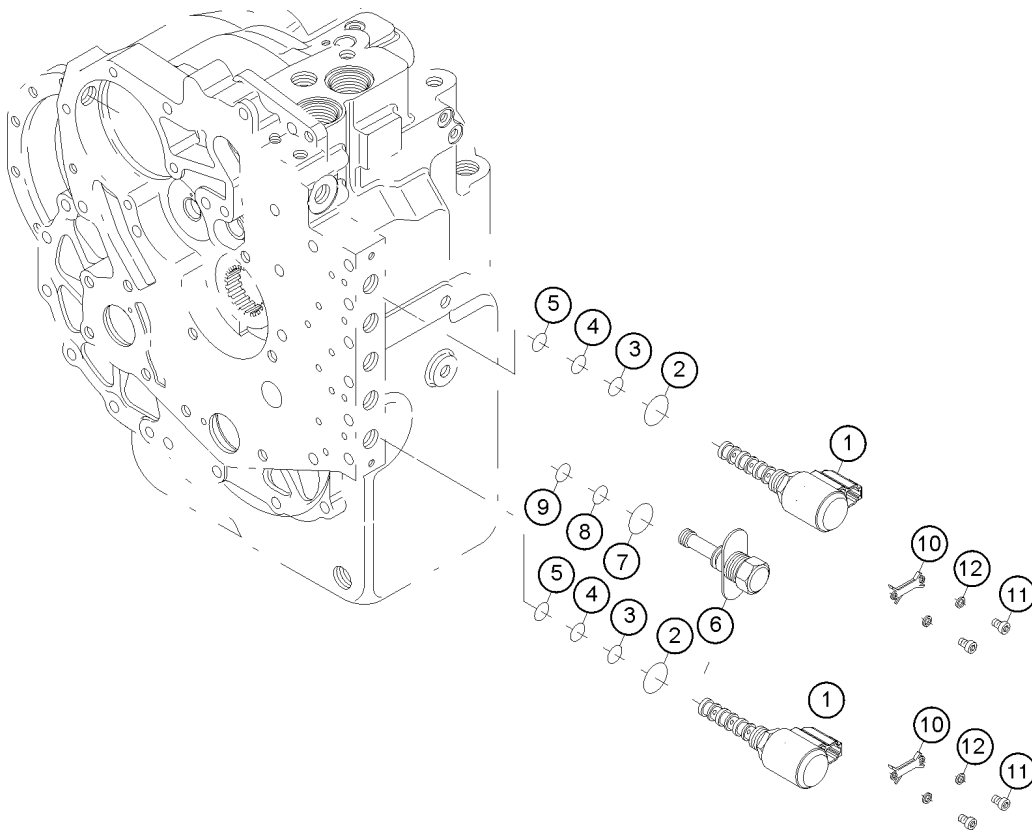
311.1 Transmission Output Shaft Assembly, T12000



## 311.1 Transmission Output Shaft Assembly, T12000

Item	Part No.	Description	Qty.
1	7-126-500GT	SHAFT / OUTPUT.....	1
2	7-126-307GT	BEARING,BALL.....	2
3	7-126-368GT	SLEEVE / OIL SEAL.....	2
4	7-126-366GT	O-RING / OIL SEAL.....	2
5	7-126-772GT	OIL SEAL / OUTPUT SHAFT.....	2
6	7-126-365GT	SNAP RING / OUTPUT FLANGE.....	4
7	7-126-369GT	FLANGE RETAINING RING.....	2
8	7-126-364GT	OUTPUT FLANGE..... <i>(includes item 9)</i>	1
9	7-126-363GT	FLANGE PLUG.....	1
10		OUTPUT FLANGE GEAR..... <i>(no longer available)</i>	1

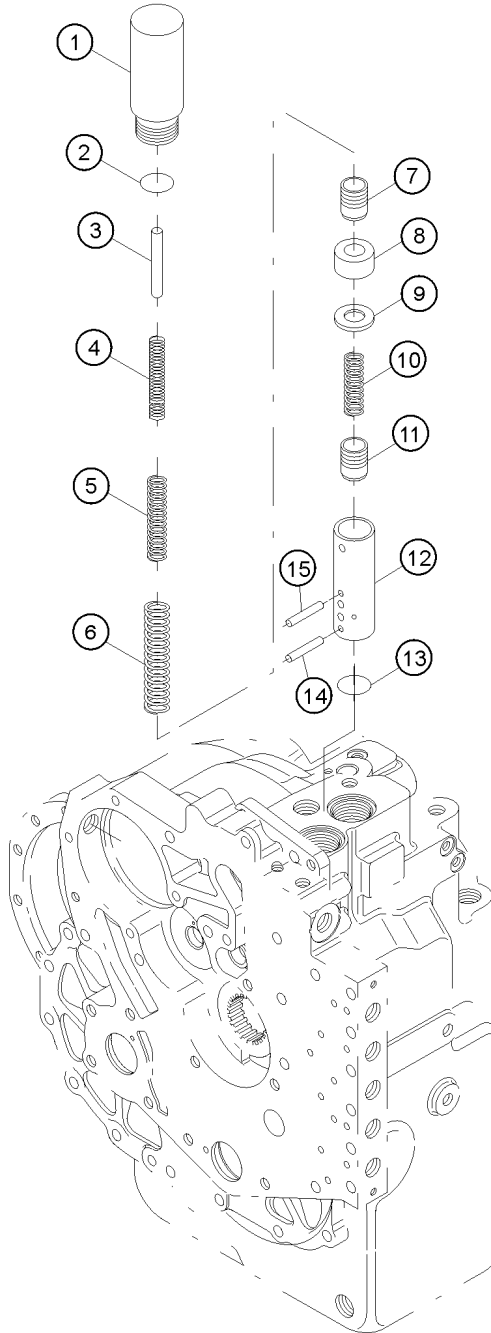
312.1 Transmission Control Assembly, T12000



## 312.1 Transmission Control Assembly, T12000

Item	Part No.	Description	Qty.
1	7-126-768GT	SOLENOID ASSY/DROP IN.....4 <i>(includes items 2-5)</i>	
2	7-126-773GT	O-RING,21.5 X 1.5 MM,VITON.....4 <i>(part of item 1)</i>	
3	7-126-774GT	O-RING,15.1 X 1.60 MM,VITON.....4 <i>(part of item 1)</i>	
4	7-126-775GT	O-RING,14.1 X 1.60 MM,VITON.....4 <i>(part of item 1)</i>	
5	7-126-776GT	O-RING,12.1 X 1.60 MM,VITON.....4 <i>(part of item 1)</i>	
6	7-126-777GT	PLUG-SOLENOID BORE <i>(includes items 7-9)</i>	
7	7-126-778GT	90RING 18.0 X 2.20MM, VITON.....1 <i>(part of item 6)</i>	
8	7-126-774GT	O-RING,15.1 X 1.60 MM,VITON.....1 <i>(part of item 6)</i>	
9	7-126-776GT	O-RING,12.1 X 1.60 MM,VITON.....1 <i>(part of item 6)</i>	
10	7-126-779GT	CLAMP - SOLENOIDS.....6	
11	7-126-780GT	SCREW M4X10 (FOR 7-126-767).....12	

313.1 Transmission Modulation Valve Assembly, T12000

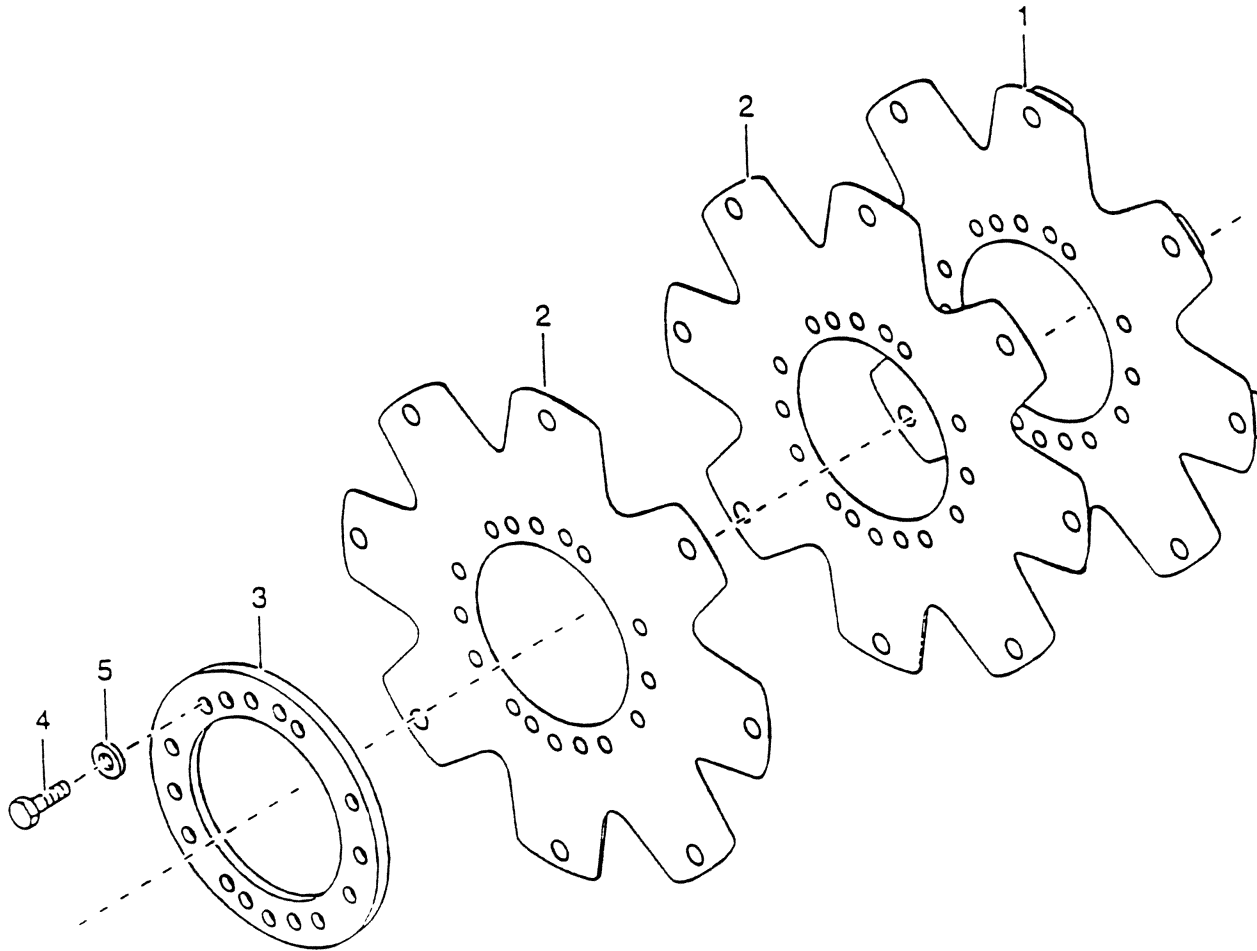




## 313.1 Transmission Modulation Valve Assembly, T12000

Item	Part No.	Description	Qty.
1		Modulation Valve Housing.....1 <i>(no longer available)</i>	
2	7-126-371GT	O-RING / MODULATOR HOUSING.....1	
3	7-126-63GT	PIN,ACCUMULATOR STOP.....1	
4	7-126-64GT	SPRING,ACCUMULATOR,INNER.....1	
5	7-126-506GT	SPRING,MIDDLE.....1	
6	7-126-507GT	SPRING,OUTER.....1	
7		Accumulator Spool.....1 <i>(no longer available)</i>	
8	7-126-512GT	SPRING / RETAINER.....1	
9		Spring Spacer.....1 <i>(no longer available)</i>	
10		Modulation Valve Spring.....1 <i>(no longer available)</i>	
11		Regulator Spool.....1 <i>(no longer available)</i>	
12		Modulation Valve Sleeve.....1 <i>(no longer available)</i>	
13	7-126-372GT	O-RING / SLEEVE.....1	
14		Lower Pin.....1 <i>(no longer available)</i>	
15		Upper Pin.....1 <i>(no longer available)</i>	

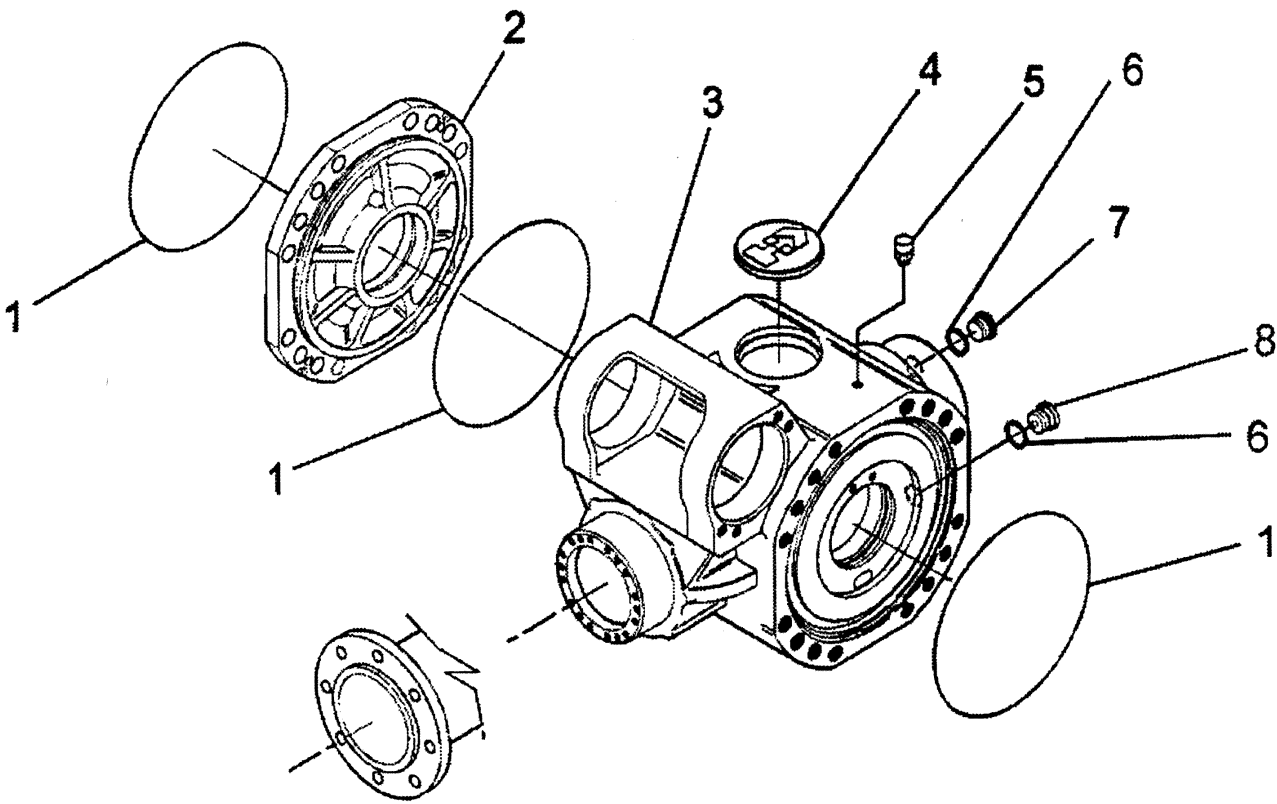
314.1 Transmission Drive Plate Assembly, T12000



## 314.1 Transmission Drive Plate Assembly, T12000

Item	Part No.	Description	Qty.
--	7-126-383GT	DRIVE PLATE ASSY KIT.....1 <i>(includes items 1-5)</i>	
1	7-126-351GT	FLEX PLATE w/ WELD NUTS.....1	
2	227989GT	DRIVE PLATE KIT.....1	
3	7-126-60GT	RING.....1	
4	7-126-516GT	SCREW,HHC,3/8-16X.625,GR5.....6	
5	7-126-54GT	WASHER,LOCK,SPLIT,3/8.....6	

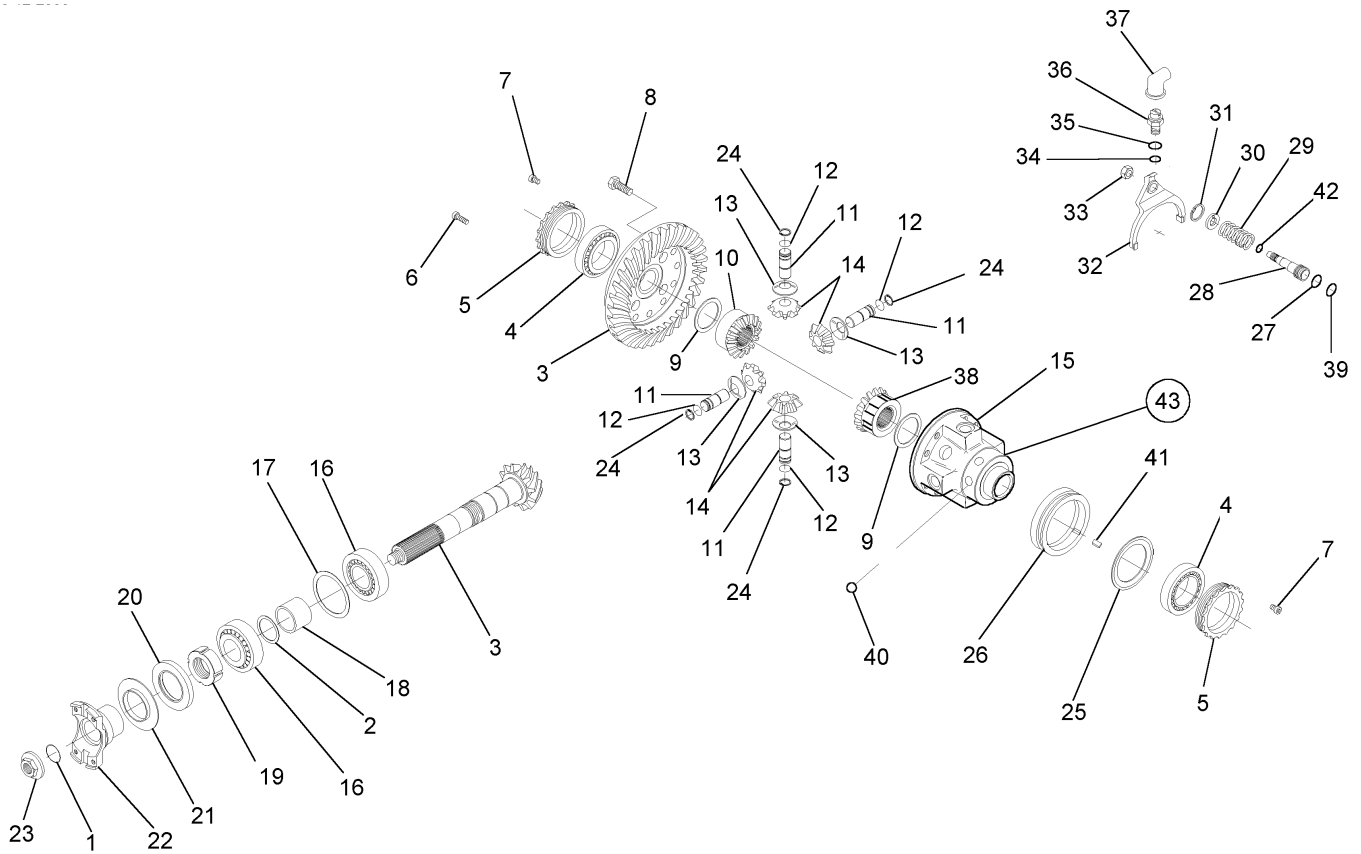
401.1 Axle Gear Box and Covers, Front and Rear Axle



## 401.1 Axle Gear Box and Covers, Front and Rear Axle

Item	Part No.	Description	Qty.
1	7-229-520GT	O-RING.....	3
2	7-229-521GT	INTERMEDIATE COVER.....	1
3B	7-229-925GT	HOUSING/AXLE..... (rear)	1
4	1252627GT	PLUG.....	1
--	7-229-601GT	CIRCLIP.....	1
5	1252577GT	VENT..... (vent)	1
6	7-229-525GT	SEAL WASHER.....	2
7	7-229-526GT	PLUG..... (includes seal washer)	1
8	7-229-527GT	MAGNETIC PLUG.....	1

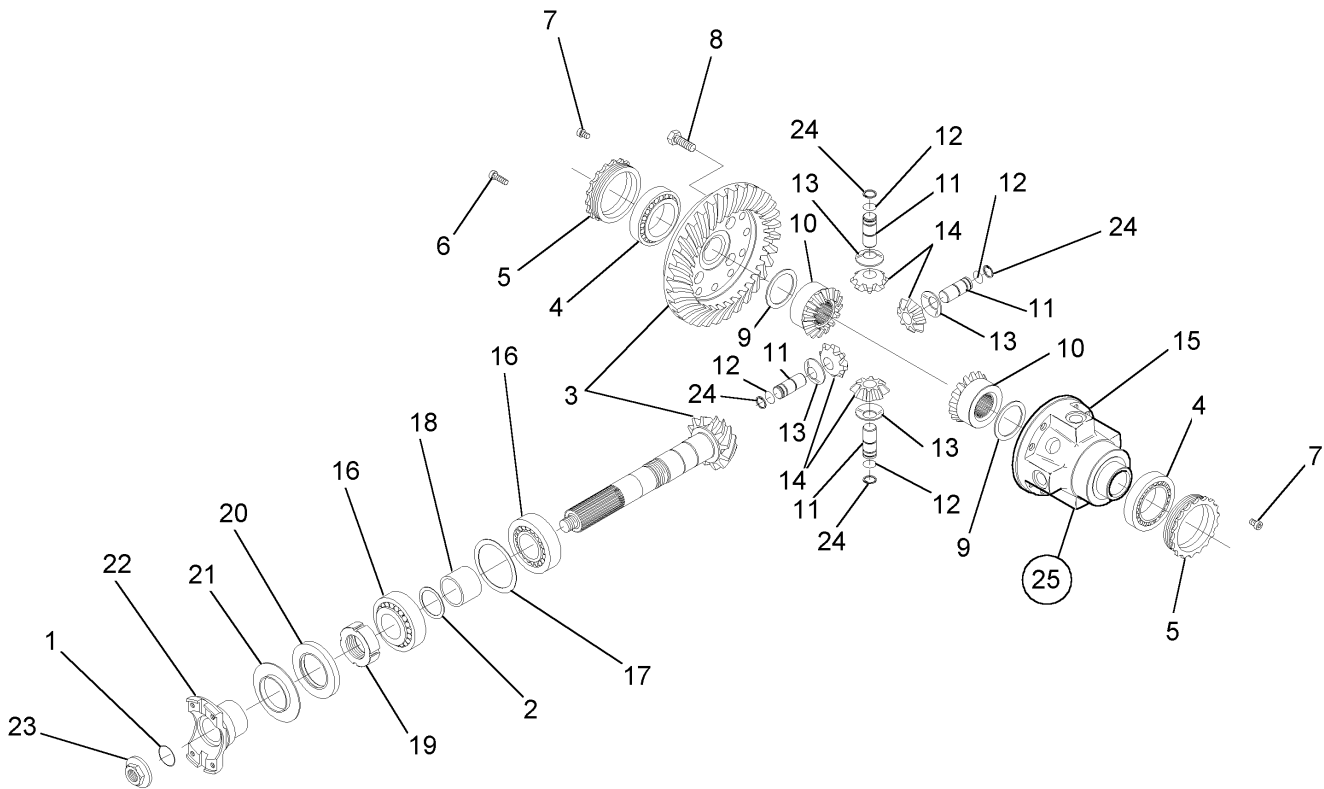
402.1 Differential Assembly, Front Axle



## 402.1 Differential Assembly, Front Axle

Item	Part No.	Description	Qty.	Item	Part No.	Description	Qty.
1	7-229-528GT	O-RING.....	1	30	7-229-722GT	PLUG.....	1
2	7-229-530GT	SHIM / 0.15mm <i>(quantity and thickness vary, refer to parts listed below)</i>		31	7-229-723GT	CIRCLIP.....	1
--	7-229-531GT	SHIM / 0.20mm		32	7-229-724GT	SELECTOR FORK.....	1
--	7-229-532GT	SHIM / 0.40mm		33	7-229-725GT	NUT.....	1
--	7-229-533GT	SHIM / 0.50mm		34	7-229-726GT	O-RING.....	1
--	7-229-548GT	SHIM / 0.20mm		35	7-229-727GT	SEAL WASHER.....	1
--	7-229-557GT	SHIM / 0.30mm		36	7-229-944GT	SECURITY SWITCH.....	1
--	7-229-558GT	SHIM / 0.15mm		37	7-229-729GT	BOOT.....	1
--	7-229-559GT	SHIM / 0.10mm		38	7-229-927GT	DIFFERENTIAL SIDE GEAR.....	1
3	7-229-940GT	BEVEL GEAR SET.....	1	39	7-229-730GT	RING.....	1
4	7-229-535GT	TAPER ROLLER BEARING.....	2	40	7-229-731GT	DETENT BALL.....	6
5	7-229-536GT	RING NUT.....	2	41	7-229-732GT	KEY.....	1
6	7-229-537GT	CYLINDER BOLT.....	4	42	7-229-733GT	CIRCLIP.....	1
7	7-229-538GT	CYLINDER BOLT.....	2	43	7-229-945GT	DIFFERENTIAL ASSY..... <i>(includes items 9-15, 24 and 38)</i>	1
8	1252570GT	BOLT.....	12				
9	7-229-540GT	FRICTION WASHER.....	2				
10	7-229-541GT	DIFFERENTIAL SIDE GEAR.....	1				
11		..... <i>(no longer available)</i>	4				
12	7-229-543GT	CIRCLIP.....	4				
13	7-229-544GT	FRICTION WASHER.....	4				
14		..... <i>(no longer available)</i>	4				
15	7-229-716GT	DIFFERENTIAL CARRIER.....	1				
16	7-229-547GT	TAPERED ROLLER BEARING.....	2				
17	7-229-548GT	SHIM / 0.20mm <i>(quantity and thickness vary, refer to parts listed below)</i>					
--	7-229-557GT	SHIM / 0.30mm					
--	7-229-558GT	SHIM / 0.15mm					
--	7-229-559GT	SHIM / 0.10mm					
18	7-229-549GT	SPACER.....	1				
19	7-229-550GT	RING NUT.....	1				
20	7-229-551GT	SEAL.....	1				
21		<i>(not used on this model)</i>					
22	7-229-943GT	FLANGE.....	1				
23	7-229-554GT	PINNION NUT / M20 X 1.5 THREAD.....	1				
24	7-229-555GT	CIRCLIP.....	4				
25	7-229-717GT	SHEET.....	1				
26	7-229-718GT	SELECTOR.....	1				
27	7-229-719GT	O-RING.....	1				
28	7-229-720GT	PISTON.....	1				
29	7-229-721GT	SPRING.....	1				

403.1 Axle Differential Assembly, Rear Axle

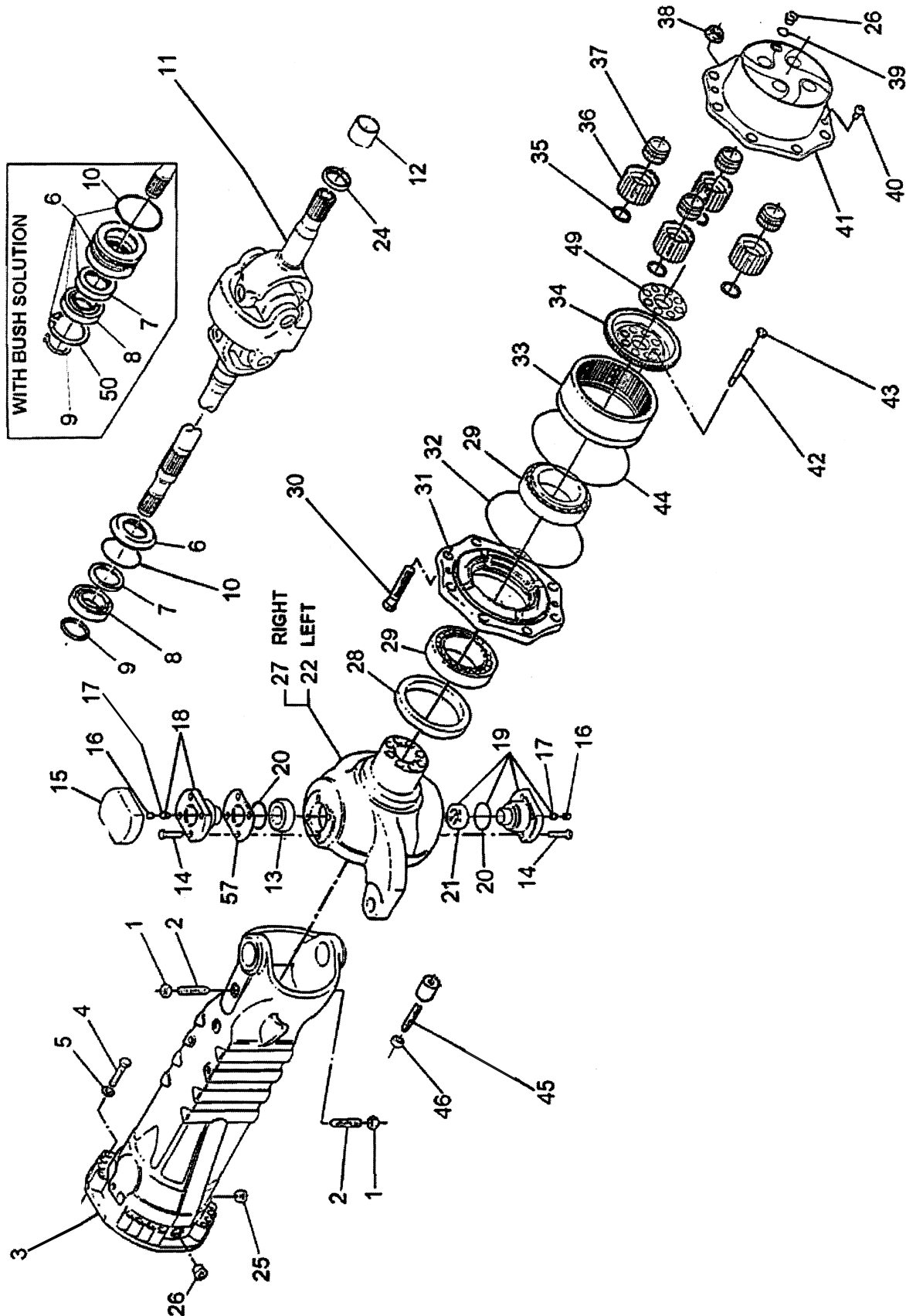




## 403.1 Axle Differential Assembly, Rear Axle

Item	Part No.	Description	Qty.
1	7-229-528GT	O-RING.....	1
2	7-229-530GT	SHIM / 0.15mm <i>(quantities and thickness vary, refer to items listed below)</i>	
--	7-229-531GT	SHIM / 0.20mm	
--	7-229-532GT	SHIM / 0.40mm	
--	7-229-533GT	SHIM / 0.50mm	
--	7-229-548GT	SHIM / 0.20mm	
--	7-229-557GT	SHIM / 0.30mm	
--	7-229-558GT	SHIM / 0.15mm	
--	7-229-559GT	SHIM / 0.10mm	
3	7-229-994GT	DIFFERENTIAL SIDE GEAR.....	1
4	7-229-535GT	TAPER ROLLER BEARING.....	2
5	7-229-536GT	RING NUT.....	2
6	7-229-537GT	CYLINDER BOLT.....	4
7	7-229-538GT	CYLINDER BOLT.....	2
8	1252570GT	BOLT.....	12
9	7-229-540GT	FRICTION WASHER.....	2
10	7-229-541GT	DIFFERENTIAL SIDE GEAR.....	1
11		Pin..... <i>(no longer available)</i>	4
12	7-229-543GT	CIRCLIP.....	4
13	7-229-544GT	FRICTION WASHER.....	4
14		Differential Pinion..... <i>(no longer available)</i>	4
15	7-229-546GT	DIFFERENTIAL CARRIER.....	1
16	7-229-547GT	TAPERED ROLLER BEARING.....	2
17	7-229-548GT	SHIM / 0.20mm <i>(quantities and thickness vary, refer to items listed below)</i>	
--	7-229-557GT	SHIM / 0.30mm	
--	7-229-558GT	SHIM / 0.15mm	
--	7-229-559GT	SHIM / 0.10mm	
18	7-229-549GT	SPACER.....	1
19	7-229-550GT	RING NUT.....	1
20	7-229-551GT	SEAL.....	1
21		<i>(not used on this model)</i>	
22	7-229-943GT	FLANGE.....	1
23	7-229-554GT	PINNION NUT / M20 X 1.5 THREAD.....	1
24	7-229-555GT	CIRCLIP.....	4
25	7-229-556GT	DIFFERENTIAL <i>(includes items 9-15 and 24)</i>	

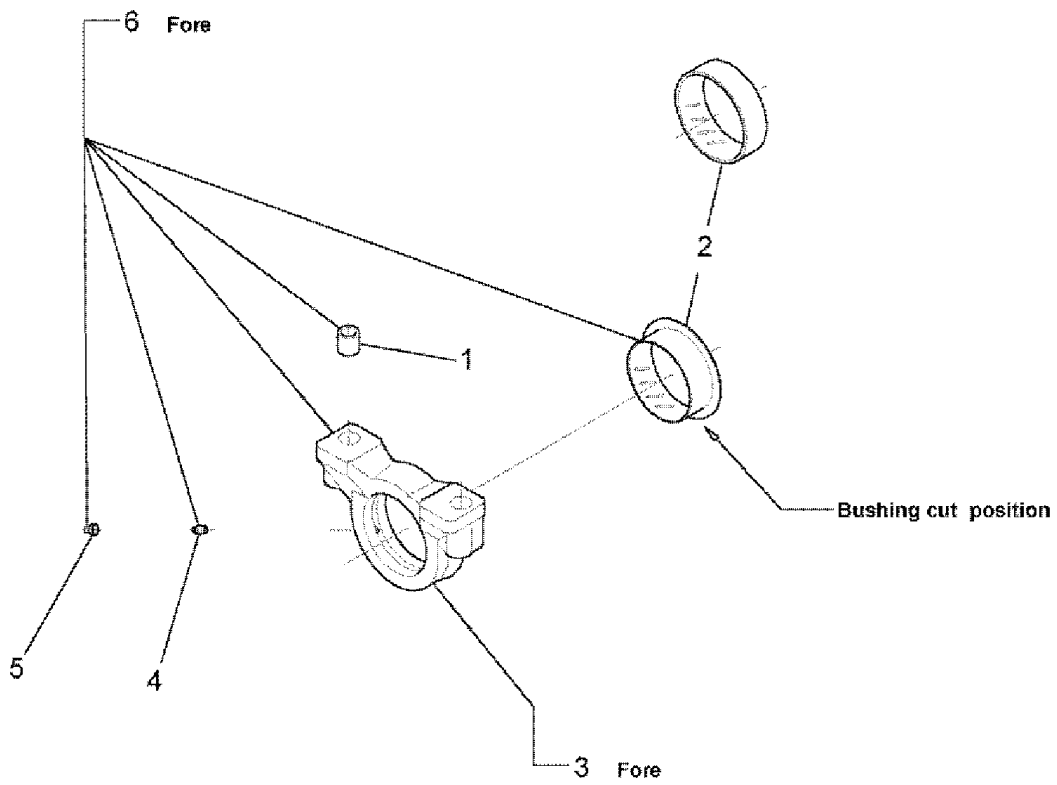
404.1 Axle Steering Assembly, Front and Rear Axle



## 404.1 Axle Steering Assembly, Front and Rear Axle

Item	Part No.	Description	Qty.	Item	Part No.	Description	Qty.
1	7-229-623GT	NUT.....	2	40	7-229-681GT	BOLT / COUNTERSUNK.....	4
2	7-229-624GT	SCREW.....	2	41A	7-229-952GT	PLANET GEAR CARRIER ASSY..... <i>(front) (includes items 35-37 and 41)</i>	2
3A	7-229-946GT	AXLE CASE..... <i>(front)</i>	2	--	7-229-931GT	PLANET GEAR CARRIER.....	2
3B	7-229-677GT	AXLE CASE <i>(rear)</i>		41B	7-229-683GT	PLANET GEAR CARRIER ASSY <i>(rear) (includes items 35-37, 41 and 44)</i>	
4	7-229-947GT	BOLT.....	32	--	7-229-931GT	PLANET GEAR CARRIER.....	2
6	7-229-562GT	REDUCTION BUSHING.....	2	42	1277507GT	STUD.....	16
7	1252670GT	SEAL.....	2	43	7-229-596GT	NUT.....	16
8	7-229-564GT	BALL BEARING.....	2	44	7-229-597GT	CIRCLIP.....	2
9	7-229-565GT	CIRCLIP.....	2	45	7-229-823GT	BOLT.....	4
10	7-229-566GT	O-RING.....	2	46	7-229-599GT	NUT.....	4
11	1259548GT	DOUBLE UNIVERSAL JOINT.....	2	49	7-229-600GT	LOCKING PLATE.....	2
12	7-229-568GT	THRUST BUSHING.....	2	50	7-229-601GT	CIRCLIP.....	2
13	7-229-948GT	BUSHING.....	2	57	7-229-602GT	SHIM / 0.15mm <i>(quantity and thickness vary, refer to items listed below)</i>	
14	7-229-539GT	BOLT.....	20	--	7-229-603GT	SHIM / 0.20MM	
15	7-229-570GT	COVER.....	2	--	7-229-604GT	SHIM / 0.50mm	
16	1252674GT	PLUG.....	4				
17	1252554GT	GREASE FITTING.....	2				
18	7-229-573GT	PIVOT PIN..... <i>(includes item 17)</i>	2				
19	7-229-574GT	PIVOT PIN <i>(includes items 17, 20 and 21)</i>					
20	7-229-575GT	SEAL.....	2				
21	7-229-576GT	ARTICULATION.....	2				
22	7-229-678GT	STEERING CASE / LH..... <i>(right front and left rear) (includes item 12)</i>	1				
24	7-229-578GT	SEAL.....	2				
25	7-229-527GT	MAGNETIC PLUG.....	2				
26	7-229-526GT	PLUG.....	4				
27	7-229-679GT	STEERING CASE / RH..... <i>(left front and right rear) (includes item 12)</i>	1				
28	7-229-582GT	SEAL.....	2				
29	7-229-583GT	BEARING.....	4				
30	7-229-692GT	WHEEL STUD.....	20				
31	7-229-680GT	WHEEL HUB.....	2				
32	7-229-586GT	O-RING.....	2				
33	7-229-587GT	RING GEAR.....	2				
--	7-229-956GT	RING GEAR SUPPORT ASSY..... <i>(front) (includes items 33, 34 and 44)</i>	2				
34	7-229-588GT	RING GEAR SUPPORT.....	2				
35	7-229-589GT	CIRCLIP.....	8				
36	7-229-590GT	PLANET GEAR.....	8				
37	7-229-591GT	BEARING.....	8				
38	7-229-592GT	WHEEL NUT.....	20				

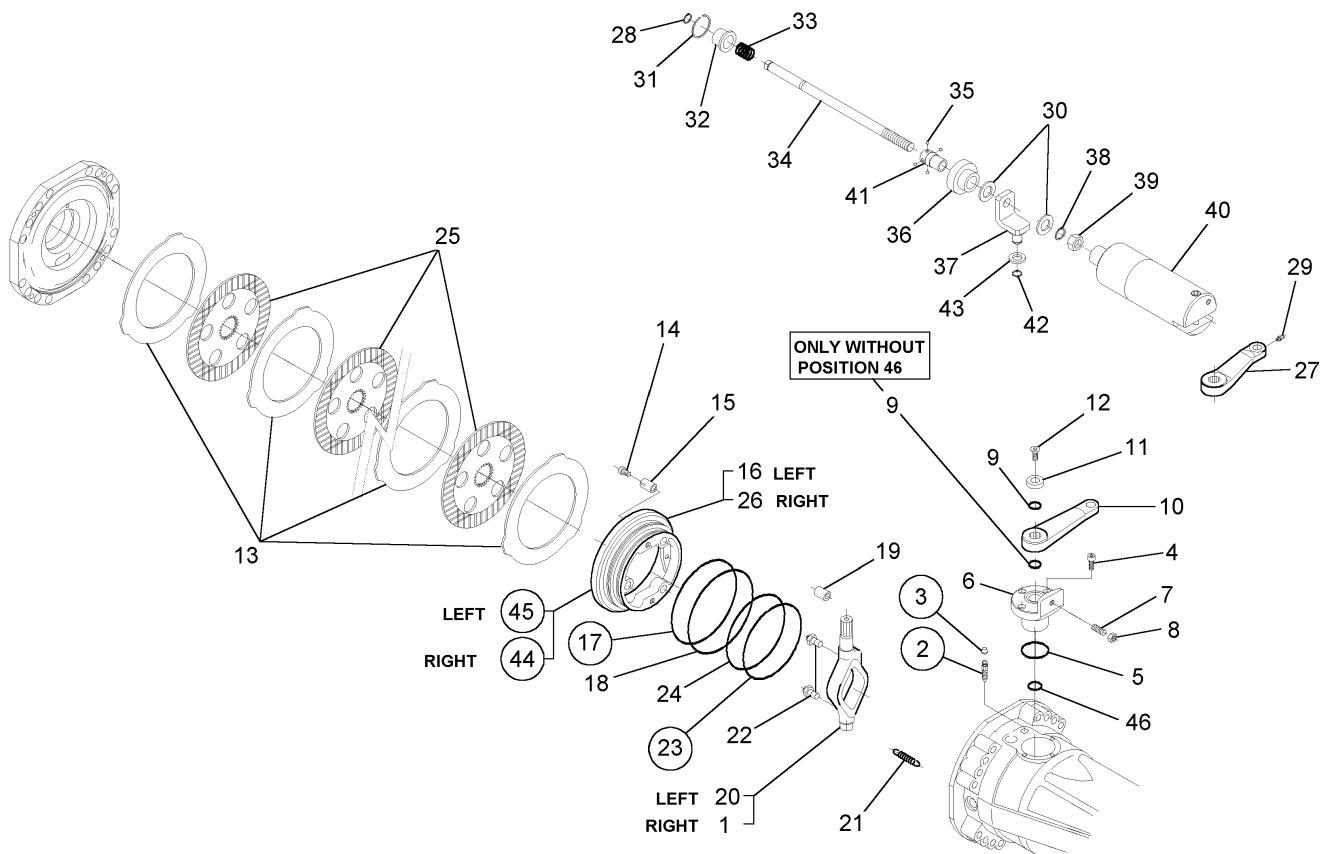
405.1 Trunnion Mount Assembly, Front and Rear



## 405.1 Trunnion Mount Assembly, Front and Rear

Item	Part No.	Description	Qty.
1	7-229-620GT	REDUCTION BUSHING.....	4
2	7-229-621GT	THRUST BUSHING.....	2
3	7-229-622GT	SUPPORT.....	2
4	1252554GT	GREASE FITTING.....	2
5	1252674GT	PLUG.....	2

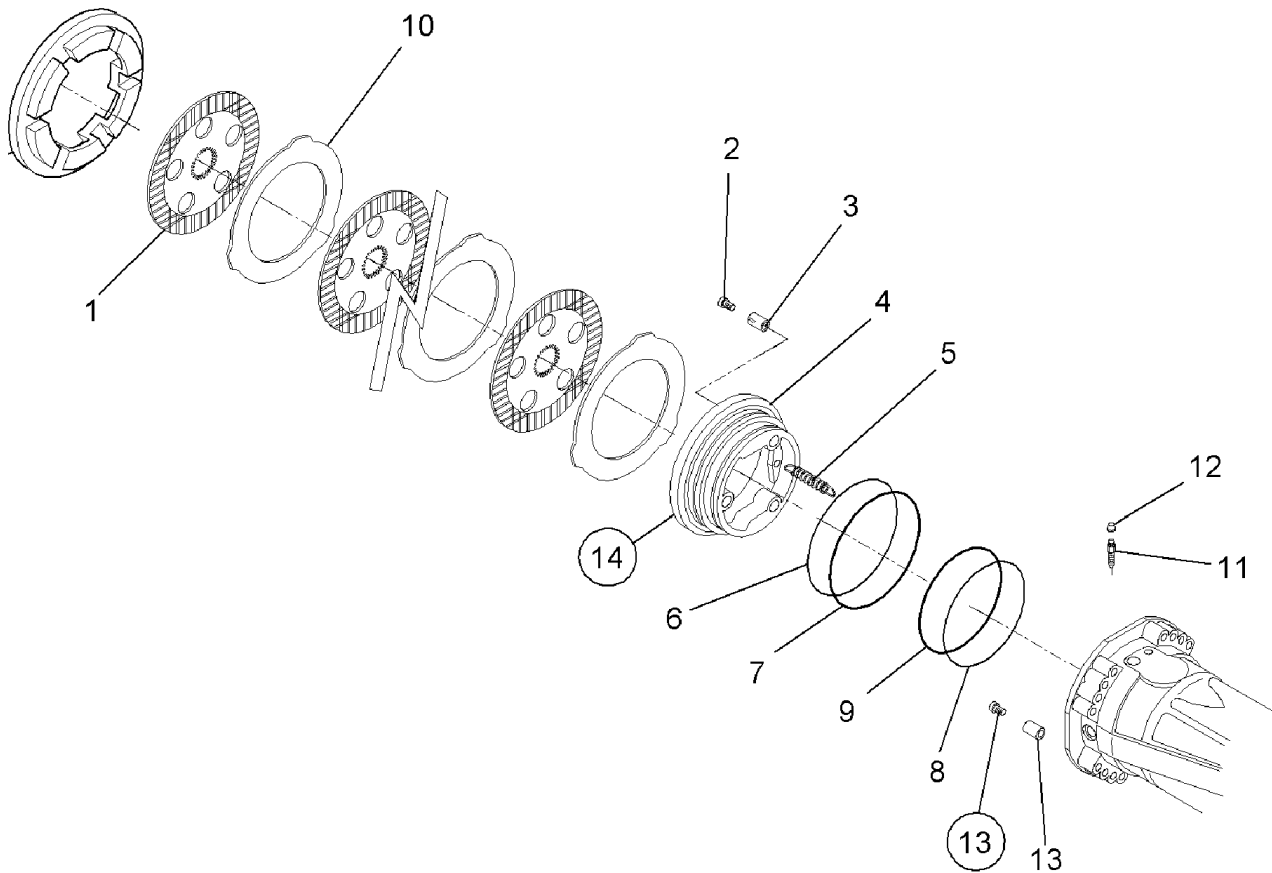
406.1 Service Brakes and Parking Brakes, Front Axle



## 406.1 Service Brakes and Parking Brakes, Front Axle

Item	Part No.	Description	Qty.	Item	Part No.	Description	Qty.
1	7-229-957GT	LEVER / RH.....	1	--	1255248GT	SCREW,CAP,16X20X79.5MM,3STEP	
2	1252673GT	BLEEDER BOLT..... <i>(optional)</i>	2	41	7-229-987GT	BUSHING / REDUCTION.....	1
3	1252674GT	PLUG..... <i>(optional)</i>	2	42	7-229-988GT	CIRCLIP.....	1
4	7-229-958GT	BOLT / CYLINDER.....	6	43	7-229-989GT	SPACER.....	1
5	7-229-959GT	O-RING.....	2	44	7-229-990GT	PISTON ASSY / RH..... <i>(includes items 15, 17, 18, 22, 23, 24 and 26)</i>	1
6	7-229-960GT	BUSHING/REDUCTION.....	2	45	7-229-991GT	PISTON ASSY LH..... <i>(includes items 15-18 and 18-24)</i>	1
7	7-229-961GT	BOLT / GRUB.....	2	46	7-229-803GT	O-RING.....	2
8	7-229-962GT	NUT.....	2				
9	7-229-963GT	O-RING.....	2				
10	7-229-964GT	LEVER.....	1				
11	7-229-965GT	WASHER.....	2				
12	7-229-966GT	BOLT / COUNTERSUNK.....	2				
13	1259532GT	INTERMEDIATE DISC BRAKE.....	8				
14	7-229-606GT	ADJUSTING BOLT.....	6				
15	7-229-967GT	SPRING.....	6				
16	7-229-968GT	PISTON LH.....	1				
17	7-229-610GT	BACK-UP RING..... <i>(optional)</i>	2				
18	7-229-611GT	O-RING.....	2				
19	7-229-969GT	DOWEL.....	2				
20	7-229-970GT	LEVER/LH.....	1				
21	7-229-609GT	SPRING.....	6				
22	7-229-971GT	PUSHER.....	4				
23	7-229-612GT	BACK-UP RING..... <i>(optional)</i>	2				
24	7-229-613GT	O-RING.....	2				
25	7-229-605GT	BRAKE DISC.....	6				
26	7-229-990GT	PISTON ASSY / RH.....	1				
27	7-229-973GT	LEVER.....	1				
28	7-229-974GT	CIRCLIP.....	1				
29	7-229-975GT	GREASE FITTING.....	2				
30	7-229-976GT	WASHER.....	2				
31	7-229-977GT	SNAP RING.....	1				
32	7-229-978GT	REDUCTION BUSHING.....	1				
33	7-229-979GT	SPRING.....	1				
34	7-229-980GT	BRAKE CAM.....	1				
35	7-229-981GT	DETENT BALL.....	4				
36	7-229-982GT	REDUCTION BUSHING.....	1				
37	7-229-983GT	SUPPORT.....	1				
38	7-229-984GT	CIRCLIP.....	1				
39	7-229-985GT	NUT.....	1				
40	7-229-986GT	BRAKE CYLINDER.....	1				

407.1 Disc Brake Assembly, Rear Axle

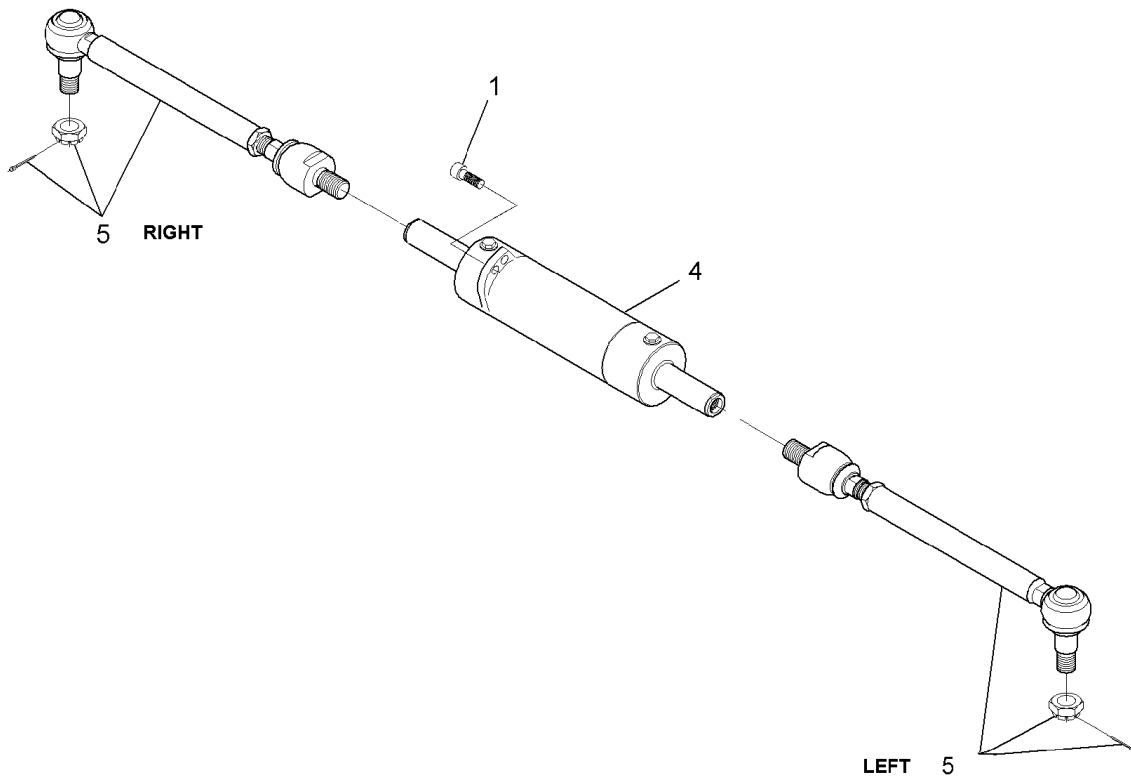




## 407.1 Disc Brake Assembly, Rear Axle

Item	Part No.	Description	Qty.
1	7-229-605GT	BRAKE DISC.....	6
2	7-229-606GT	ADJUSTING BOLT.....	6
3	7-229-967GT	SPRING.....	6
4	7-229-608GT	PISTON.....	2
5	7-229-609GT	SPRING.....	6
6	7-229-610GT	BACK-UP RING.....	2
7	7-229-611GT	O-RING.....	2
8	7-229-612GT	BACK-UP RING.....	2
9	7-229-613GT	O-RING.....	2
10	1259532GT	INTERMEDIATE DISC BRAKE.....	8
11	1252673GT	BLEEDER BOLT.....	2
12	1252674GT	PLUG.....	2
13	7-229-969GT	DOWEL..... <i>(optional)</i>	2
14	7-229-617GT	PISTON ASSY..... <i>(includes items 3, 4 and 6-9)</i>	2

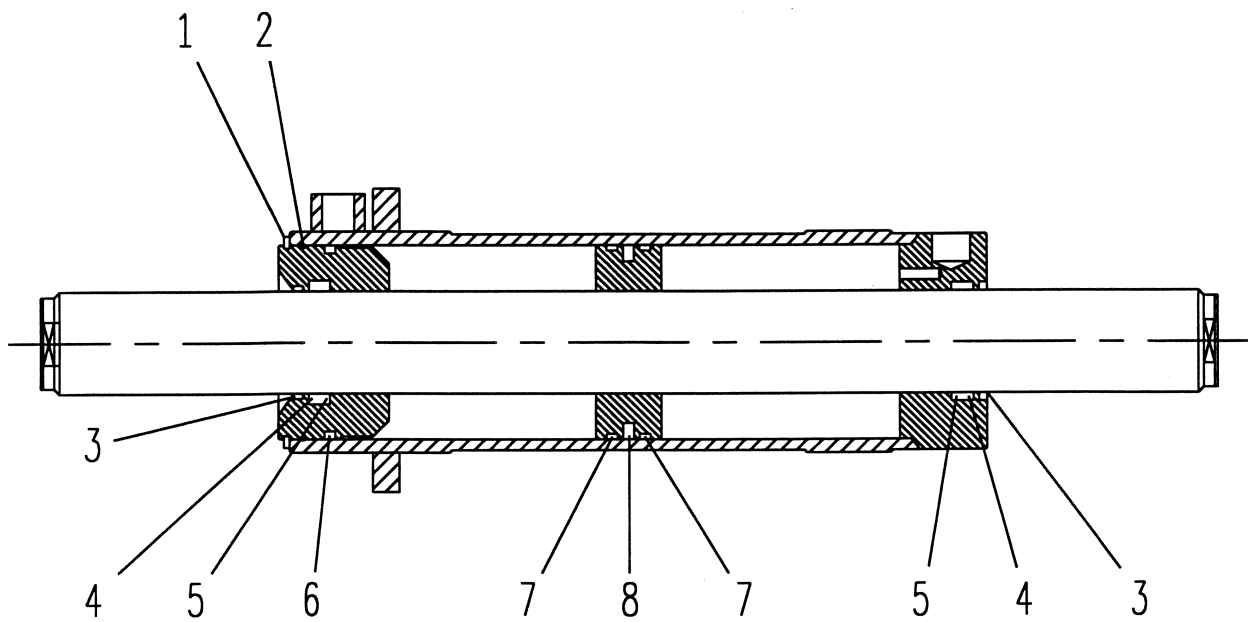
408.1 Steering Arm Assembly, Front and Rear Axle



## 408.1 Steering Arm Assembly, Front and Rear Axle

Item	Part No.	Description	Qty.
1	7-229-618GT	CYLINDER BOLT	
4		CYLINDER <i>(refer to 409.1)</i>	
5	7-229-669GT	ARTICULATED TIE ROD <i>(articulated tie rod for both left side and right side)</i>	
5A	1274515GT	NUT,SELF LOCKING <i>for 7-229-669</i>	

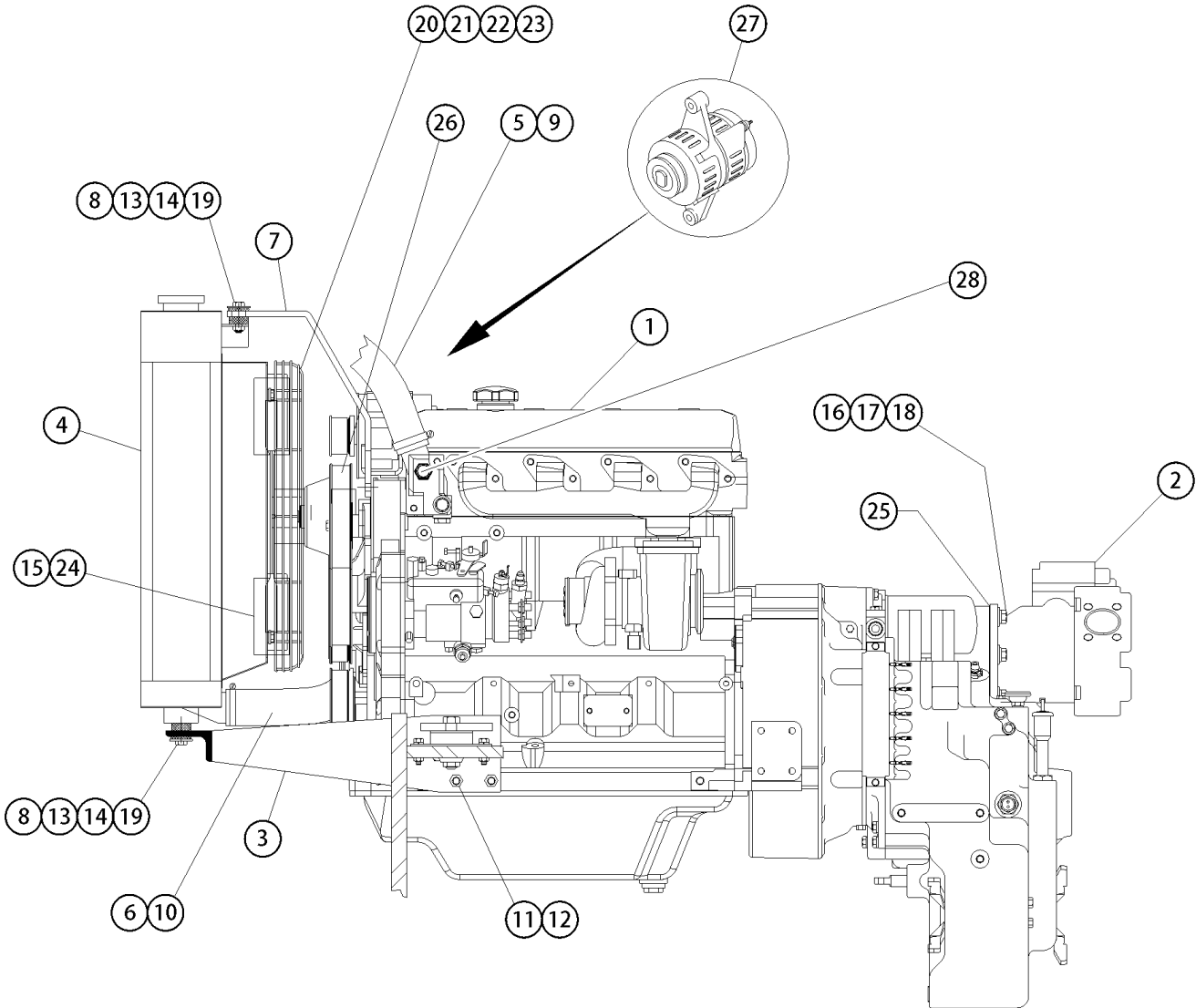
409.1 Steering Cylinder Assembly, Front and Rear Axle



## 409.1 Steering Cylinder Assembly, Front and Rear Axle

Item	Part No.	Description	Qty.
--	7-229-619GT	CYLINDER.....	1
--	7-900-88GT	SEAL KIT / CYLINDER..... <i>(includes items 1-8)</i>	2
1		SNAP RING.....	1
2		STOP RING.....	2
3		WIPER.....	2
4		SEAL.....	2
5		BACK-UP RING.....	2
6		WEAR RING.....	1
7		PISTON RING.....	2
8		PISTON SEAL.....	1

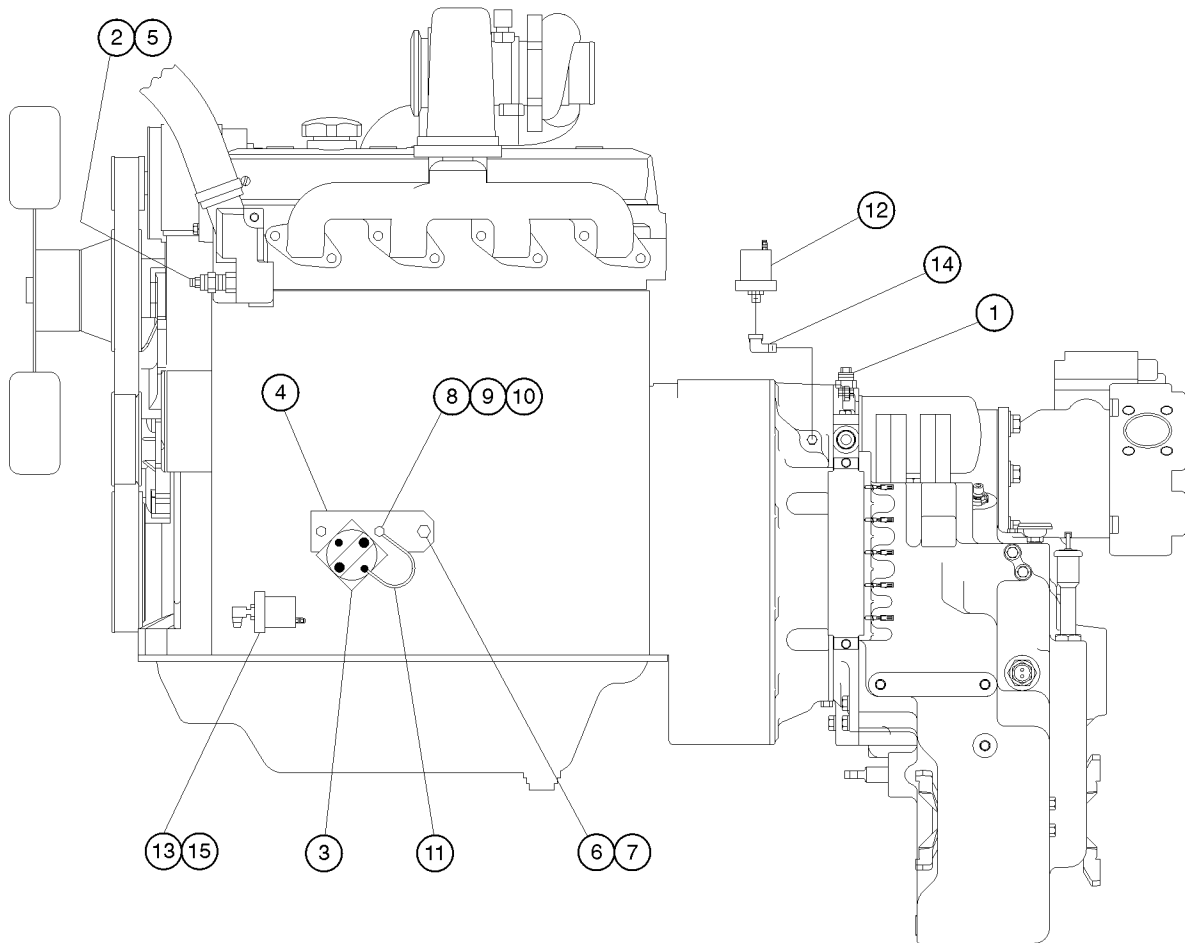
501.1 Engine and pump Assembly, JD-4045



## 501.1 Engine and pump Assembly, JD-4045

Item	Part No.	Description	Qty.	Item	Part No.	Description	Qty.
1	130815GT	ENG PKG ASSY,JD TIER3,644-8XX		23	19934GT	WASHER,3/8 HARD,STEEL-FLAT,USS.....	4
--	108528GT	ENGINE&PUMP ASSY,DEUTZ-2012		24	7-183-96GT	SPACER,FAN,2" W/ENGINE.....	Ref.
--	115328GT	FUEL FILTER,PRIMARY,JD-4045		25	7-126-517GT	GASKET,PUMP,DRIVE.....	1
--	1281452GT	FUEL FILTER HEAD,JD4045		26A	7-183-200GT	FAN BELT.....	1
--	130816GT	HARNESS, TIER 3 ADAPTER		26B	130914GT	FAN BELT,99 HP,W/AC COMP	
--	130913GT	HARNESS,ENGINE,TIER III 99HP (ECM to Engine)		27	130943GT	ALTERNATOR,95 AMP,JD.....	1
--	7-126-767GT	TRANSMISSION ASSEMBLY/DEUTSCH.....	1	28	1278432GT	SWITCH,COLD START ADVANCE,JD... (temperature switch for fuel injection pump)	1
--	7-183-184GT	OIL FILTER/ENGINE					
2A	229053GT	PUMP ASSEMBLY,SAUER 8K..... (replaced 7-345-113) (7-345-113 replaced 7-112-05) (refer to 717.1 and 718.1 for parts list of pump 7-112-05)	1				
--	7-112-63GT	SEAL KIT / PUMP OVERHAUL					
2B	234953GT	KIT, SAUER PUMP, 8K KIT INCLUDES PUMP AND ADAPTER HARNESS 234927					
3A	108527GT	WELDMENT,ENG/RAD MOUNT,JD4045..... (front)	1				
3B		WELDMENT,ENG/RAD MOUNT,DEUTZ (108579) (rear) (may also be used with John Deere engine installation) (component no longer available)					
4	7-183-146GT	RADIATOR w/ SHROUD.....	1				
--	234850GT	RADIATOR CAP.....	1				
5	7-158-72GT	RADIATOR HOSE,UPPER.....	1				
6	7-158-73GT	RADIATOR HOSE,LOWER.....	1				
7	4-2065GT	UPPER RADIATOR MOUNT.....	1				
8	7-190-04GT	MOUNT,RUBBER,CENTER,BONDED....	3				
9	6-6252-07GT	CLAMP,RADIATOR HOSE.....	2				
10	6-6252-09GT	CLAMP,RADIATOR HOSE.....	2				
11	6-8112-35GT	SCREW,12MM X 1.75X35MM.....	6				
12	49409GT	WASHER,LOCK,M12.....	6				
13	6-5206-16GT	SCREW,HHC,3/8-16X2.0,GR8.....	3				
14	4828GT	NUT,NYLOCK,3/8-16.....	3				
15	7-183-38GT	FAN,BLOWER,18-INCHES.....	Ref.				
16	6-5208-20GT	SCREW,HHC,1/2-13X2 1/2.....	4				
17	6-6212-08GT	WASHER,FLAT,USS,1/2",Y.....	4				
18	6033GT	WASHER,LOCK,0.5".....	4				
19	15086GT	WASHER,FLAT,.375 X 1.5 X .125.....	3				
20	4-1685GT	FAN GUARD,18".....	1				
21	6-5205-08GT	SCREW,HHC,5/16-18X1.....	4				
22	6886GT	WASHER,LOCK,.313.....	4				

502.1 Starter Relay, Sender Assembly, JD-4045

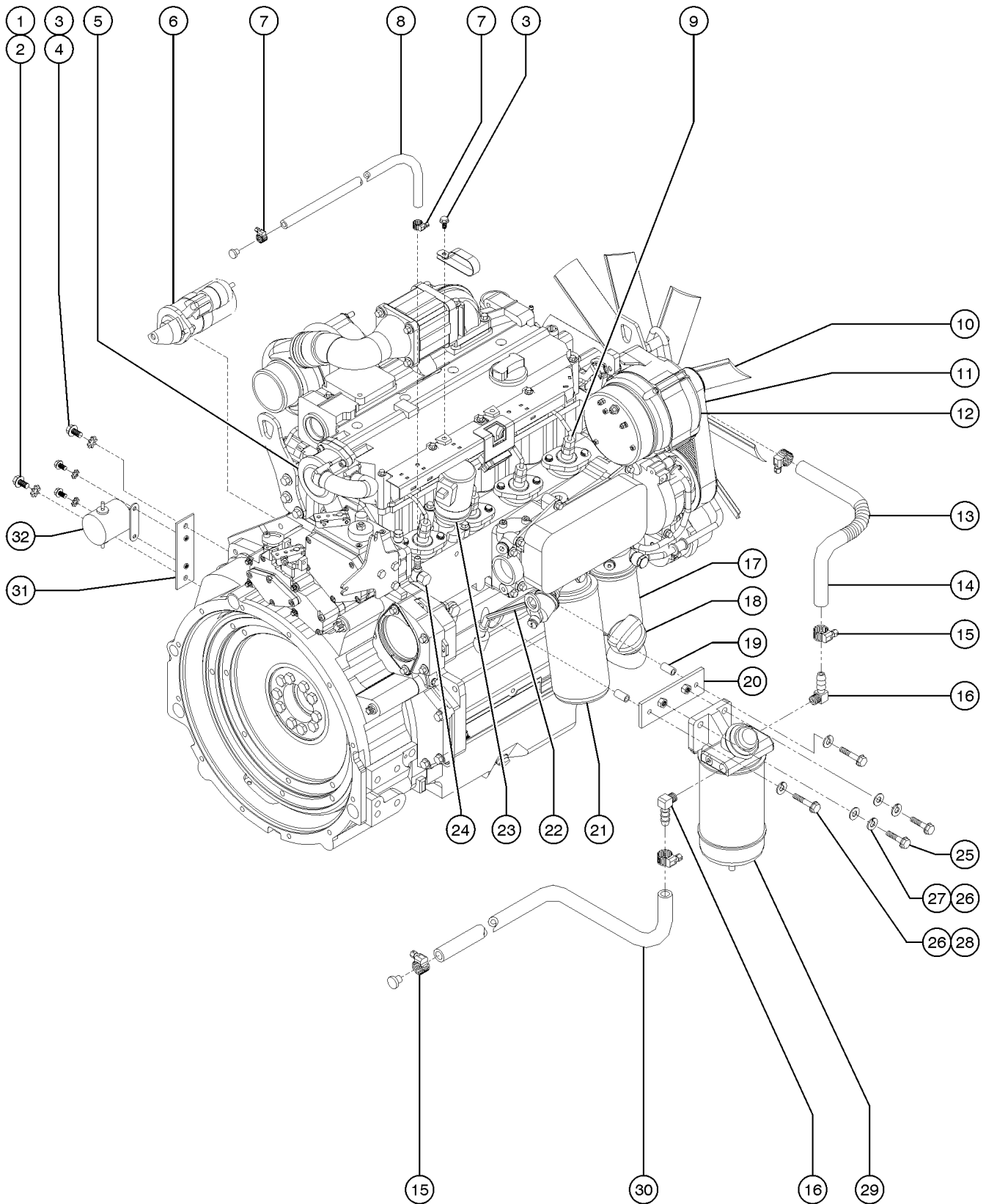




## 502.1 Starter Relay, Sender Assembly, JD-4045

Item	Part No.	Description	Qty.
1	7-169-12GT	SENDER, TRANSMISSION OIL TEMP...1	
2	102058GT	SENSOR, COOLANT TEMP.....1	
3	7-319-21GT	STARTER RELAY.....1	
--	117681GT	DIODE/HARNESS.....1	
4	1-1024GT	MOUNT / STARTER RELAY.....1	
5	6-6406-04GT	REDUCER BUSHING.....1	
6	6-8514-25GT	CAPSCREW / HEX HEAD.....1	
7	37505GT	WASHER, LOCK, M14.....1	
8	6-5204-04GT	SCREW, HHC, 1/4-20X.5, GR8.....2	
9	6356GT	WASHER, LOCK, .25.....2	
10	6-6212-04GT	WASHER, FLAT, .250, HARDENED.....2	
11	1-1094GT	GROUND WIRE.....1	
12	7-169-11GT	SENDER, TRANSMISSION OIL PRESS.....1	
13	6-6422-01GT	FITTING.....1	
14	6-6422-01GT	FITTING.....1	
15	7-169-09GT	SENDER, ENGINE OIL PRESSURE.....1	

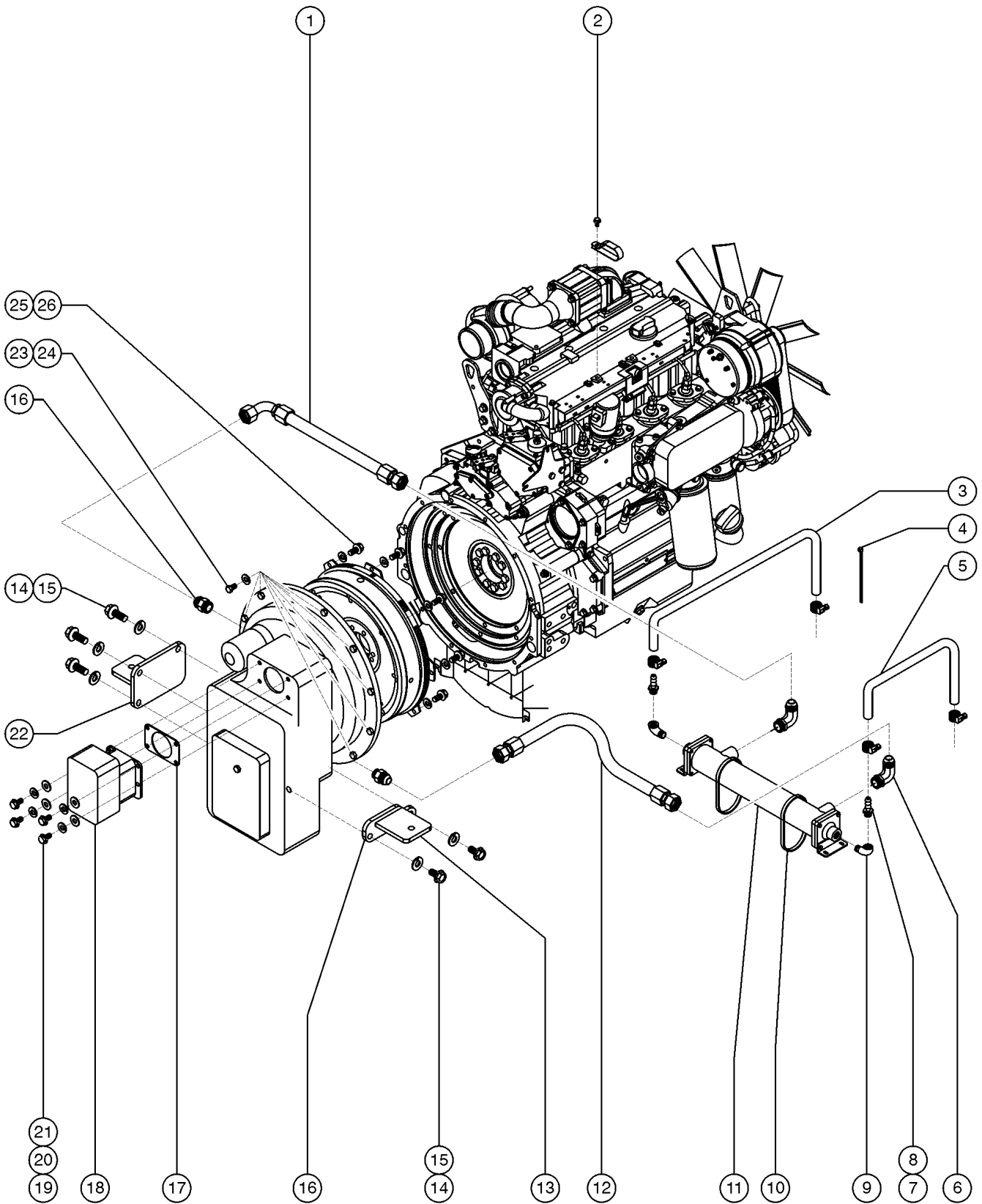
503.1 Engine Assembly, Deutz BF42012, View 1



## 503.1 Engine Assembly, Deutz BF42012, View 1

Item	Part No.	Description	Qty.
--	108744GT	MANUAL PACK,DEUTZ,TH	
--	108745GT	MANUAL,DEUTZ BF42012 PARTS	
--	108746GT	MANUAL, DEUTZ BF42012 OPERATOR	
--	7-202-01GT	ENGINE,DEUTZ,99HP,BF4M2012	
1	130002GT	SCREW,FLANGE HEAD,10-24.....2	
2	73613GT	WASHER,STAR,#10,PLTD	
3	130004GT	SCREW,HHCS,M8 X 20MM	
4	130005GT	STAR WASHER,M8	
5	130003GT	COOLANT TEMP SENSOR.....1	
6	75391GT	STARTER, DEUTZ F4L913	
7	130006GT	HOSE CLAMP,SAE #4.....2	
8	130007GT	FUEL SUPPLY LINE,3/8 INCH	
9	108542GT	INJECTOR / FUEL.....4	
10	123595GT	FAN/ENGINE/DEUTZ BF4M 2012.....1	
11	108549GT	BELT / V-RIBBED.....1	
12	108556GT	ALTERNATOR.....1	
13	130009GT	LOOM,3/4 INCH.....9-inches	
14	130010GT	FUEL SUPPLY LINE, 1/2 INCH...36-inches	
15	130011GT	HOSE CLAMP, SAE #6.....4	
16	130012GT	HOSE BARB ELBOW, 1/2 X 3/8.....2	
17	108543GT	FILTER / FUEL / SPIN-ON.....1	
--	58566GT	FILTER HEAD (29560) <i>plastic</i>	
18	108540GT	CAP / FILLER.....1	
19	130018GT	BUSHING.....2	
20	130019GT	REMOTE FUEL FILTER MOUNT PLATE.....1	
21	108541GT	FILTER / ENGINE OIL / SPIN-ON.....1	
22	108532GT	DIPSTICK,DEUTZ-BF4M2012.....1	
23		SHUT OFF SOLENOID.....1 <i>Component no longer available</i>	
24	130015GT	BANJO BOLT,FUEL SUPPLY LINE	
--	214425GT	BANJO <i>Used with P/N 130015</i>	
--	214426GT	SEAL RING,14MM ID,DIN7603,USED <i>Used with P/N 130015</i>	
25	94434GT	SCREW,HHCS,3/8-16X1.25 GD307A	
26	6021GT	WASHER,LOCK,.375	
27	6097GT	WASHER,FLAT,USS,3/8",Y	
28	27826GT	SCREW,HHCS,M8 X 55MM,GRD.8.8	
29	7-202-05GT	ENGINE FUEL PRE-FILTER.....1	
30	130010GT	FUEL SUPPLY LINE, 1/2 INCH...84-inches	
31	130000GT	RELAY MOUNT BRACKET,DEUTZ.....1	
32	130001GT	STARTER RELAY,12V,DEUTZ.....1	

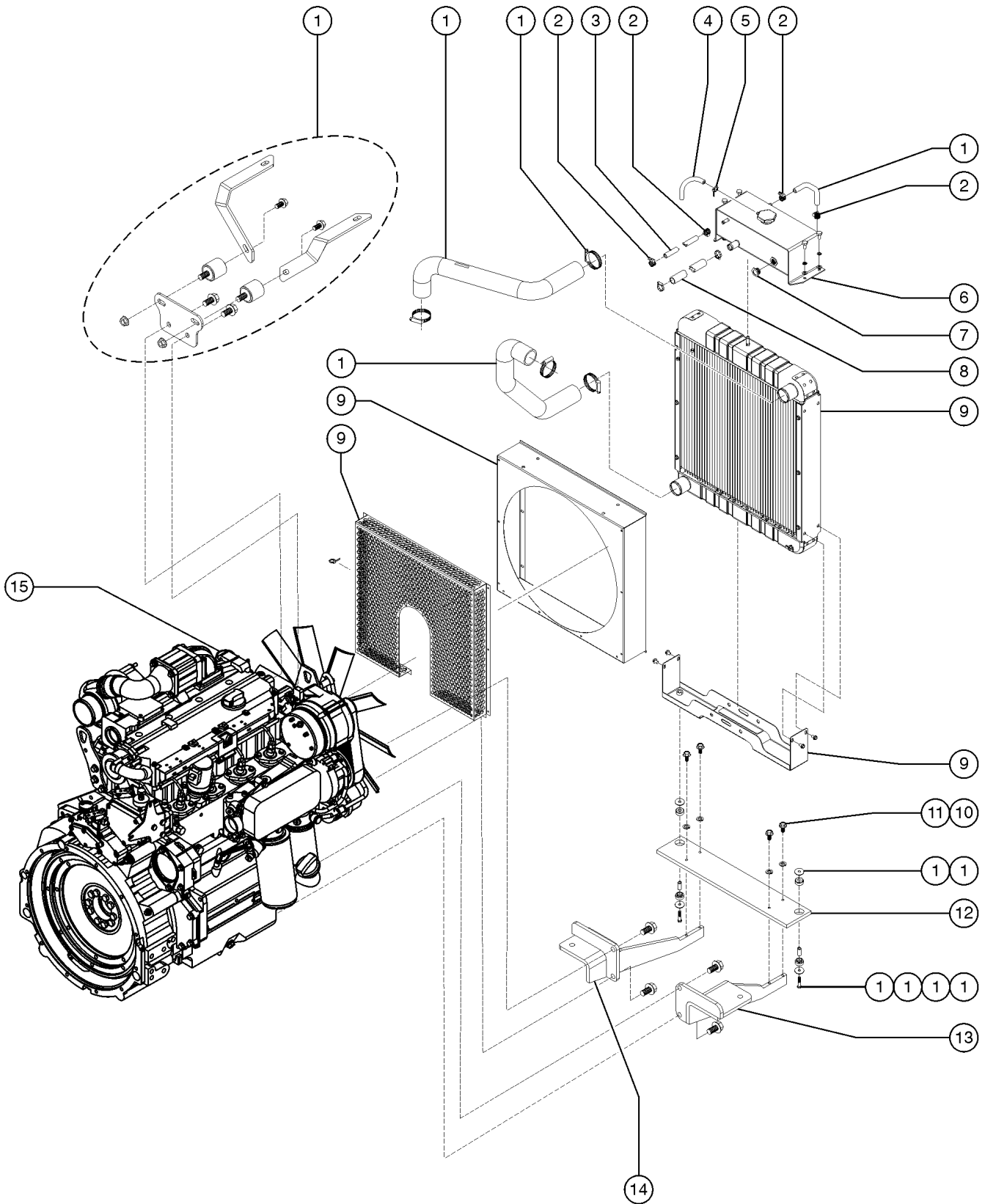
504.1 Engine Assembly, Deutz BF42012, View 2



## 504.1 Engine Assembly, Deutz BF42012, View 2

Item	Part No.	Description	Qty.
1	6-7045-44GT	HOSE,12X10-90X22	
2	130004GT	SCREW,HHCS,M8 X 20MM	
3	130021GT	HOSE, 5/8".....80-inches	
4	130022GT	TIE WRAP,8.5 X 0.13,BLACK	
5	130021GT	HOSE, 5/8".....62-inches	
6	6-6453-15GT	FITTING,12ORX12JIC,90.....2	
7	130024GT	FITTING,3/4 NPT X 5/8 BARB.....2	
8	130023GT	CLAMP,9/16 TO 1-1/14.....4	
9	130025GT	FITTING,3/4 MALE TO 3/4 FEMALE.....2	
--	130026GT	PIPE SEALANT,LOCKTITE #567.....2	
10	130027GT	HEAVY WIRE TIE,1/4 X 18.....2	
11	7-900-152GT	KIT, OIL COOLER.....1	
12	6-7006-37GT	HOSE,12X12X18.5"	
13	3-1360-1GT	TRANSMISSION MOUNT / LH.....1	
14	6-8112-35GT	SCREW,12MM X 1.75X35MM	
15	49409GT	WASHER,LOCK,M12	
16	6-6450-20GT	FITTING,10ORX10JIC,STRAIGHT.....1	
17	7-126-517GT	GASKET,PUMP,DRIVE.....1	
18	7-112-05GT	PUMP ASSEMBLY (SAUER).....1	
19	6-5208-20GT	SCREW,HHC,1/2-13X2 1/2	
20	6033GT	WASHER,LOCK,0.5"	
21	6-6212-08GT	WASHER,FLAT,USS,1/2",Y	
22	3-1360-2GT	TRANSMISSION MOUNT / RH.....1	
23	6-8510-40GT	CAPSCREW / HEX HEAD.....11	
24	6-9111-10GT	LOCKWASHER,10MM.....11	
25	6-5306-14GT	SCREW,3/8NF 1 3/4	
26	6021GT	WASHER,LOCK,.,375	

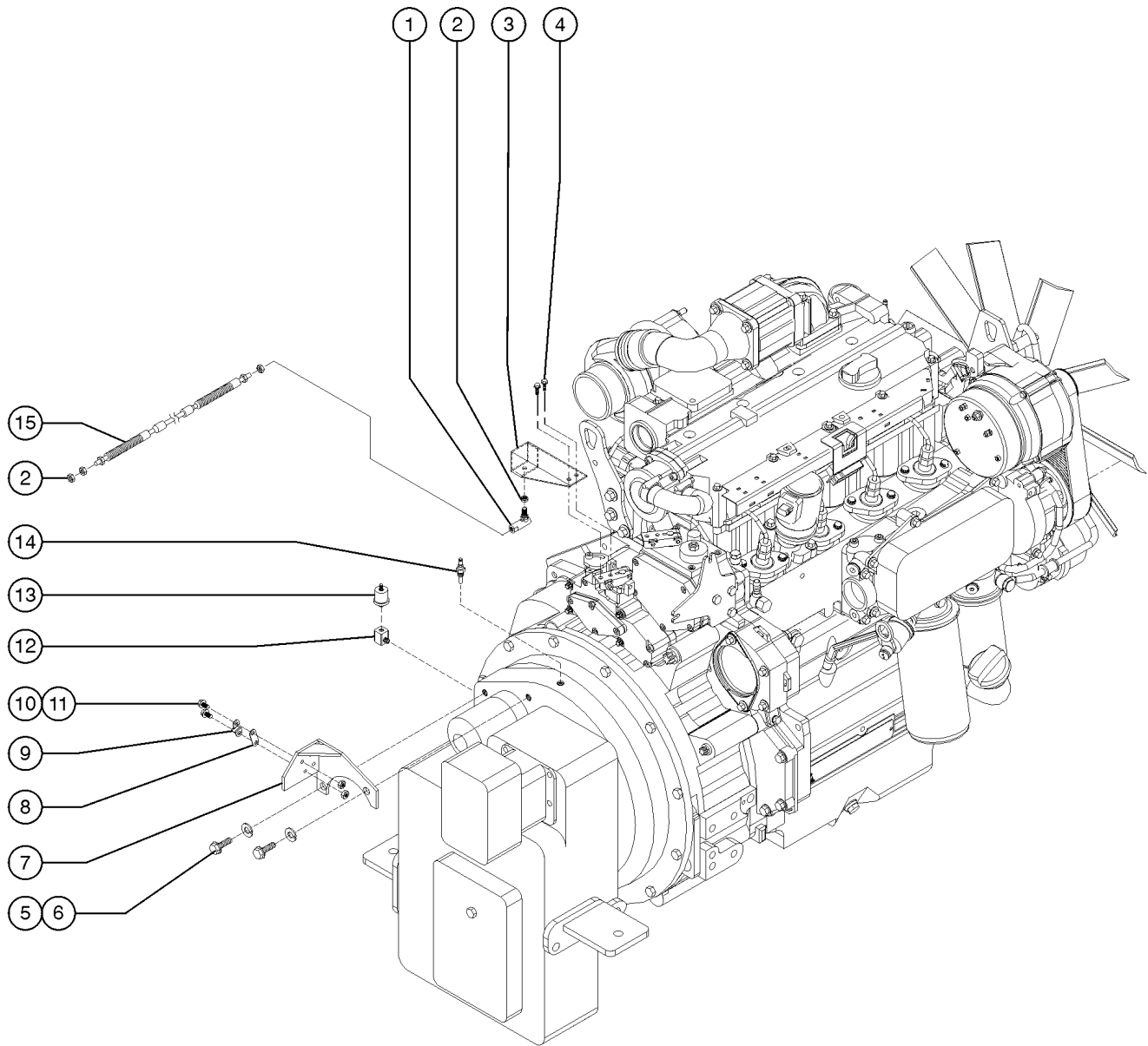
505.1 Engine Assembly, Deutz BF42012, View 3



## 505.1 Engine Assembly, Deutz BF42012, View 3

Item	Part No.	Description	Qty.
1	130033GT	COOLER MOUNTING ASSEMBLY.....1 <i>includes 1259376, 1259377</i>	
--	1259376GT	HOSE, RADIATOR, UPPER	
--	1259377GT	HOSE, RADIATOR, LOWER	
2	130034GT	CLAMP,WORM.....4	
3	130035GT	HOSE, 3/8".....15-inches	
4	130036GT	HOSE,5/16".....36-inches	
5	130022GT	TIE WRAP,8.5 X 0.13,BLACK.....16	
6	123932GT	COOLANT RECOVERY BOTTLE,GTH...1	
7	130038GT	RECOVERY TANK SIGHT GLASS,1/2".....1	
8	1283159GT	HOSE,RUBBER,7/8".....14-inches	
9	130354GT	RADIATOR / DEUTZ ENGINE.....1	
10	130040GT	SCREW,HHCS,5/16-18 X 7/8.....4	
11	130029GT	WASHER,5/16,NARROW.....4	
12	130030GT	FRONT MOUNT TRAY.....1	
13	130031GT	REAR MOUNT,EXHAUST SIDE.....1	
14	130032GT	REAR MOUNT,CAB SIDE.....1	
15	108548GT	THERMOSTAT.....1	

506.1 Engine Components, Deutz BF42012, View 4

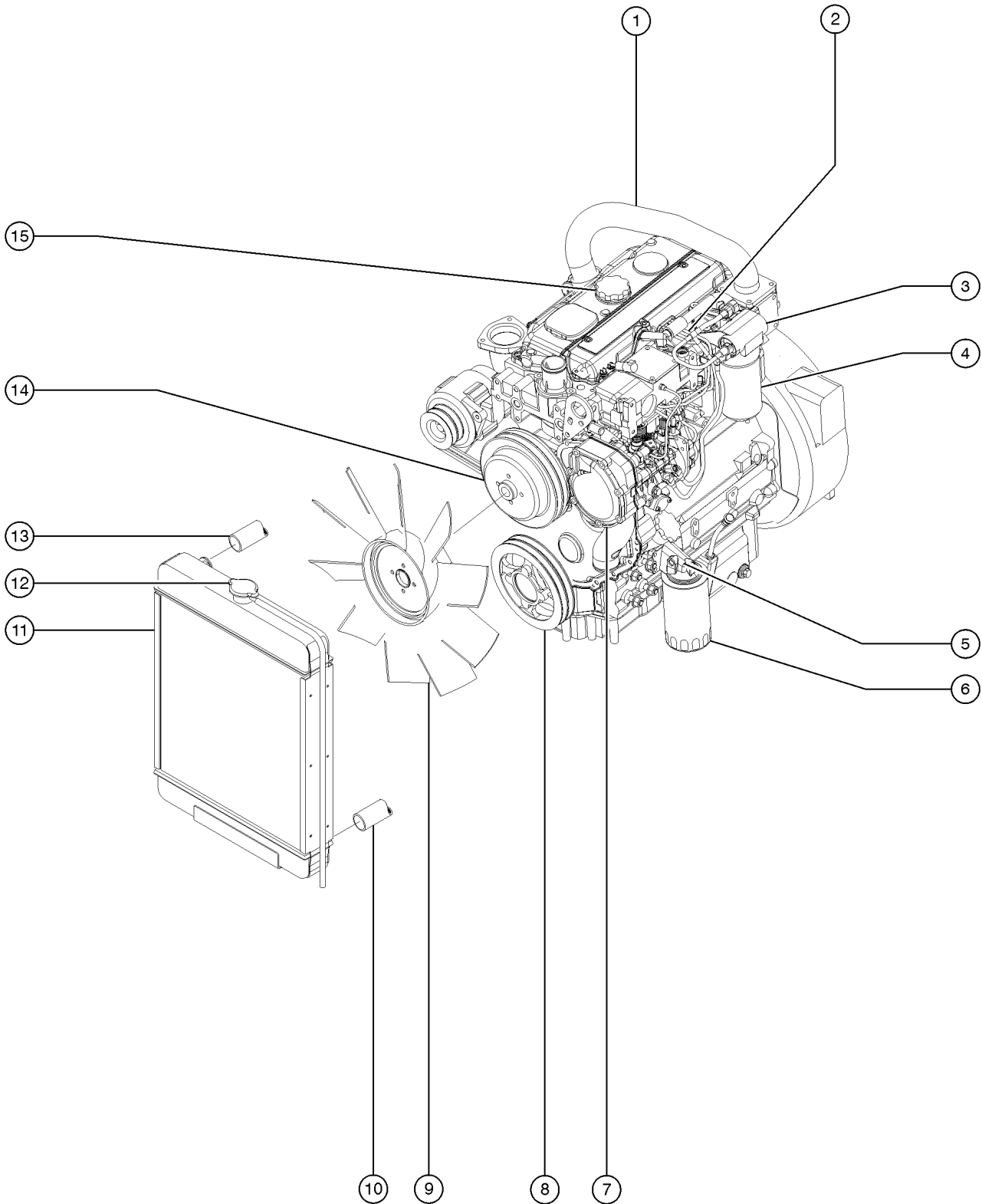




## 506.1 Engine Components, Deutz BF42012, View 4

Item	Part No.	Description	Qty.
1	130043GT	SPEED CABLE SWIVEL.....	1
2	21496GT	NUT,HEX,1/4-28.....	4
3	130042GT	SPEED LEVER EXTENSION.....	1
4	56123GT	SCREW,HHC,M6 X 10MM.....	2
5	94195GT	SCREW,HHC,3/8-16 X .75,GR 8.....	2
6	6021GT	WASHER,LOCK,,375.....	2
7	130046GT	THROTTLE CABLE BRACKET.....	1
8	130048GT	CONTROL CABLE BRACKET SHIM.....	1
9	130045GT	SPEED CONTROL CABLE CLAMP.....	1
10	29752GT	SCREW,HHC,10-24 X .75.....	1
11	5365GT	NUT,NYLOCK,10-24.....	2
12	130028GT	ELBOW,1/8" NPT BRASS.....	1
13	130016GT	TRANS.OIL PRESSURE SENDER.....	1
14	130017GT	TRANS.TEMP SENDER.....	1
15	130041GT	SPEED CONTROL CABLE,DEUTZ..... (96 inches)	1

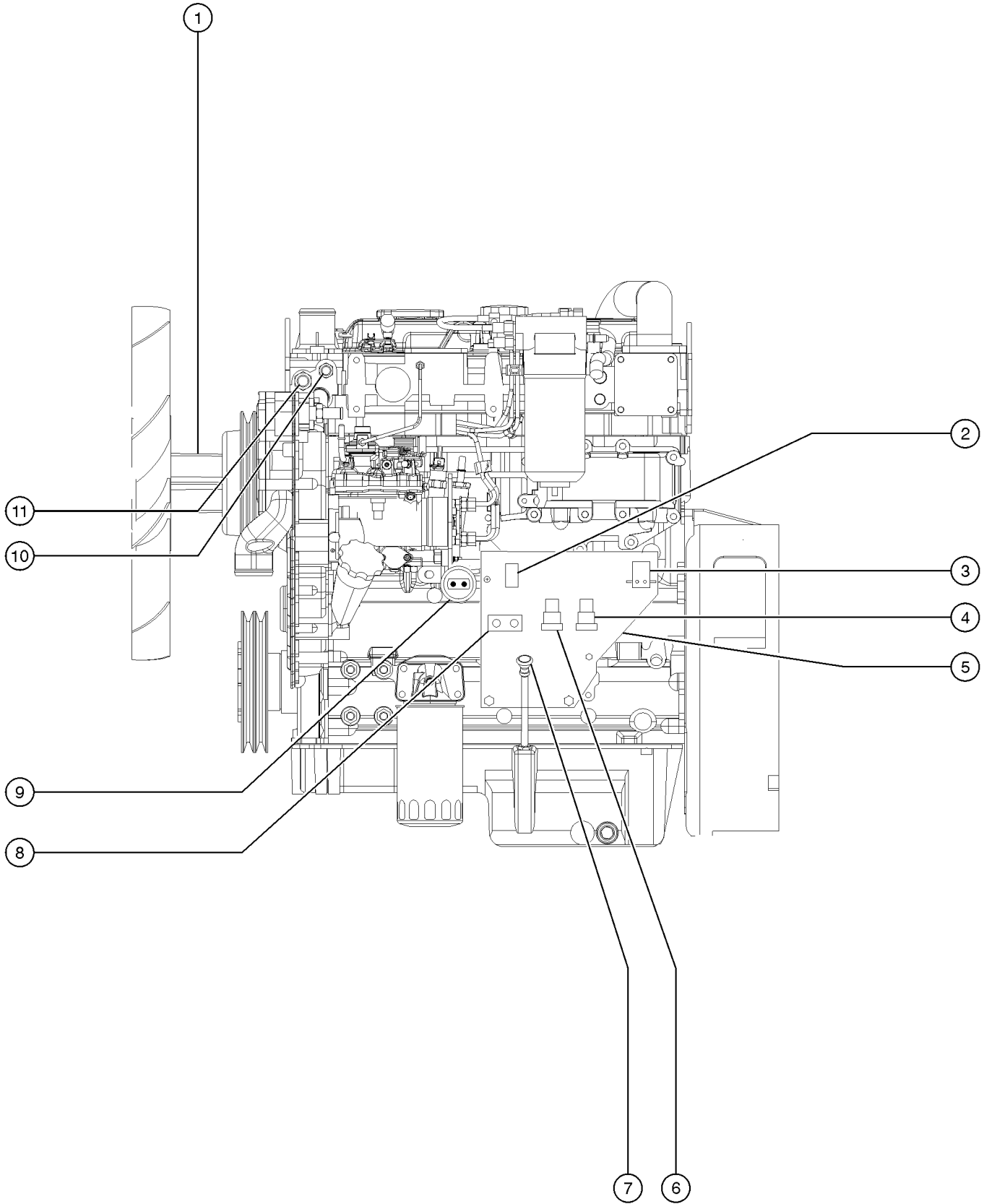
507.1 Engine Components, Perkins 1104C Tier 2 and Tier 3, View 1



## 507.1 Engine Components, Perkins 1104C Tier 2 and Tier 3, View 1

Item	Part No.	Description	Qty.	Item	Part No.	Description	Qty.
--	117473GT	ENG/TRAN PKG,PERK,TII,644/8XX (to SN GTH0811-14668)		--	226438GT	BRKT,RADIATOR MOUNT	
--	1259570GT	PUMP,FUEL INJECTOR,PER1104C,GTH844 for 226612		--	226440GT	BRKT, TOP RAD SUPPORT	
--	216155GT	ENG/TRANS,PK 1104D-44T,AC,TPEM (from SN GTH0811-14669)		--	226441GT	BRKT,SIDE RAD SUPPORT (L shaped)	
--	226435GT	ENG ASSY,PERKINS 1104D-44T T3 (from SN GTH0811-14669)		--	226442GT	BRKT,SIDE RAD SUPPORT (U shaped)	
--	226574GT	ENG,ASSY,PERK,1104C-44T,T2,6/8 (to SN GTH0811-14668)		--	236304GT	FAN GUARD	
--	226612GT	ENG ASSY,PERK,T2,6/8K,REMAN (to SN GTH0811-14668)		--	236305GT	FAN SHROUD	
--	7-126-767GT	TRANSMISSION ASSEMBLY/DEUTSCH		--	49816GT	SCREW,PHILLIPS,PHM,10-32 X .75.....4	
1	123327GT	AIR PIPE,INTAKE,PERKINS.....1	1	--	6021GT	WASHER,LOCK,.375.....4	4
--	123328GT	HOSE CLAMP,PERKINS ENGINE		--	7713GT	NUT, LP NYLOCK, 3/8-16.....4	4
--	123329GT	ADAPTER HOSE,INTAKE,PERKINS		--	T114349GT	ISOLATOR,PERKINS 127HP T3.....2	2
--	123331GT	GASKET,INTAKE PIPE		12	231132GT	CAP, PERKINS RADIATOR, 6/8/10K 14 psi	
2	226639GT	TUBE,HIPRESS #1CYL,PERK T3 6/8.....1 (cylinder 1)	1	13	226460GT	HOSE,UPPER RADIATOR	
--	226640GT	TUBE,HIPRESS #2CYL,PERK T3 6/8 (cylinder 2)		14	226624GT	SHEAVE,FAN,PERK T3 6/8K.....1	1
--	226641GT	TUBE,HIPRESS #3CYL,PERK T3 6/8 (cylinder 3)		--	102598GT	BELT,V,(2) PERKINS 1104C-44	
--	226642GT	TUBE,HIPRESS #4CYL,PERK T3 6/8 (cylinder 4)		--	123351GT	FAN DRIVE HOUSING	
3	102638GT	ADAPTER-FUEL FILTER, PERK 1104....1	1	--	62428GT	BELT,V, PERKINS 1004-42 (SB)	
4	102639GT	FILTER,FUEL, PERKINS 1104C.....1	1	15	102635GT	CAP,OIL FILLER,PERKINS 1104C.....1	1
--	123085GT	GASKET / OIL FILTER HEAD					
--	123088GT	BOWL / FUEL FILTER					
5	123084GT	HEAD / OIL FILTER					
--	123085GT	GASKET / OIL FILTER HEAD					
--	T114340GT	FASTENER,HOUSING,OIL FILTER					
6	102632GT	FILTER,OIL,PERKINS 1104C-44.....1	1				
7	102643GT	PUMP, WATER,PERKINS 1104C-44.....1	1				
--	102644GT	GASKET-PUMP WATE,PERK 1104C-44					
8	75331GT	PULLEY,CRANKSHAFT,PERKINS 1004.....1	1				
--	75332GT	SCREW,CRANKSHFT,PERKIN 1004-42					
9	123105GT	FAN / PERKINS ENGINE.....1	1				
--	75326GT	NUT,FAN BLADE,PERKINS 1004-42					
10	227903GT	LOWER RADIATOR HOSE replaced 226464					
11	T113263GT	RADIATOR PERKINS,8K & 6K MACH.....1	1				
--	123091GT	VIBRATION ISOLATOR,RADIATOR,LOWER MOUNT.....2	2				
--	14392GT	NUT,LP NYLOCK,10-32.....4	4				

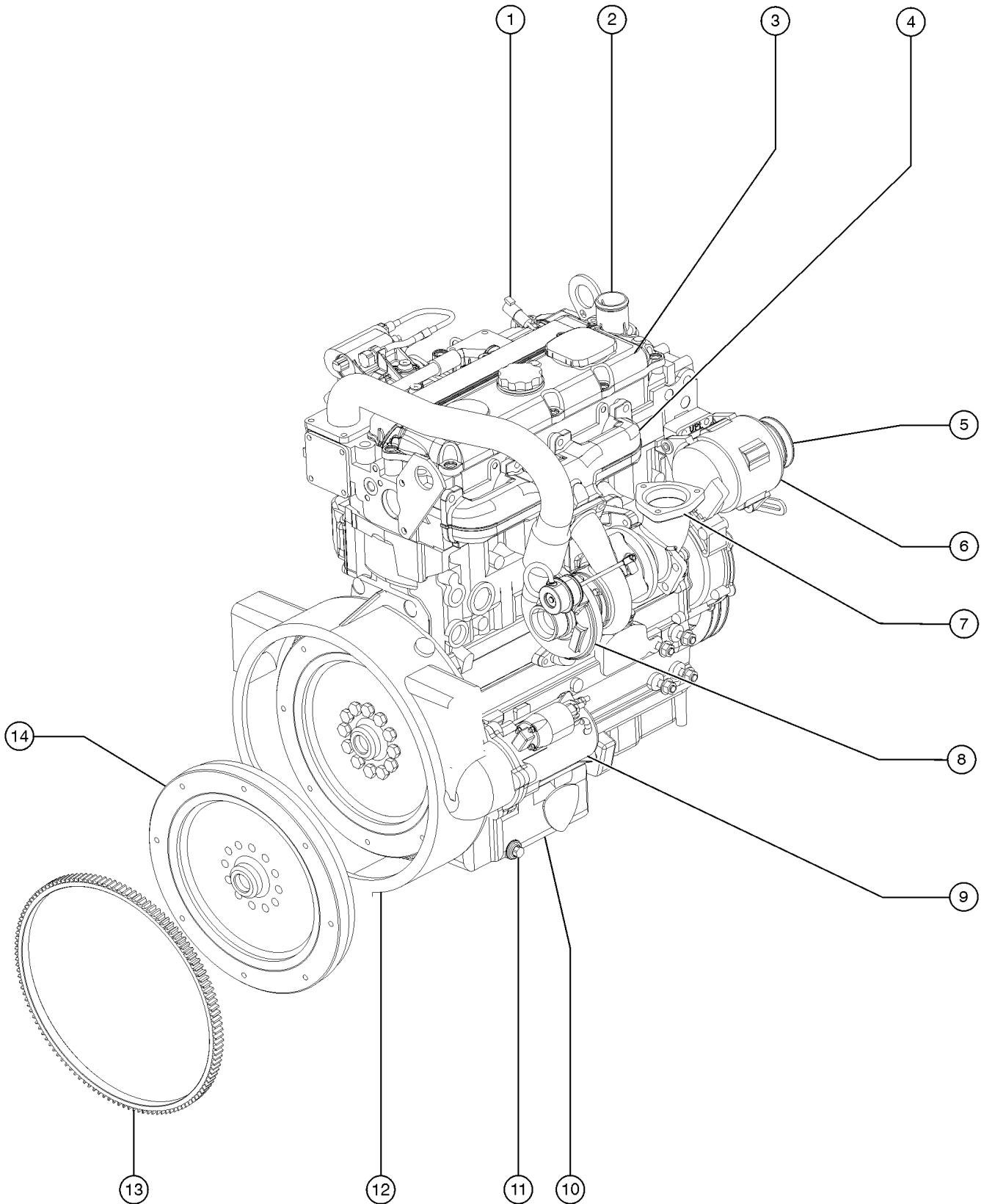
508.1 Engine Assembly, Perkins 1104C, Tier 2 and Tier 3, View 2



## 508.1 Engine Assembly, Perkins 1104C, Tier 2 and Tier 3, View 2

Item	Part No.	Description	Qty.
1	226625GT	SPACER,FAN,PERK T3 6/8K.....	1
--	226626GT	STUD,FAN MTG M8X1.25X90 PK 6/8	
2	123199GT	FUSE,20 AMP.....	1
3	7-319-21GT	STARTER RELAY.....	1
4	123337GT	LIFT PUMP RELAY.....	1
--	75343GT	WASHER,OIL DRAIN,PERKIN1004-42	
5	226451GT	ENGINE HARNESS ASSY.....	1
--	226436GT	BRKT,ENG HARNESS MOUNT	
6	123338GT	COLD START RELAY.....	1
7	123082GT	DIPSTICK.....	1
8	123339GT	COLD START CIRCUIT BREAKER.....	1
9	226453GT	SENDER/SWITCH,ENGINE OIL TEMP..	1
10	123079GT	SWITCH / WATER TEMP.....	1
11	7-169-10GT	SENDER / ENG. WATER TEMP..... <i>(tier 2 to sn 14668)</i>	1
--	226455GT	SENDER,ENGINE TEMP..... <i>(tier 3 from sn 14669)</i>	1

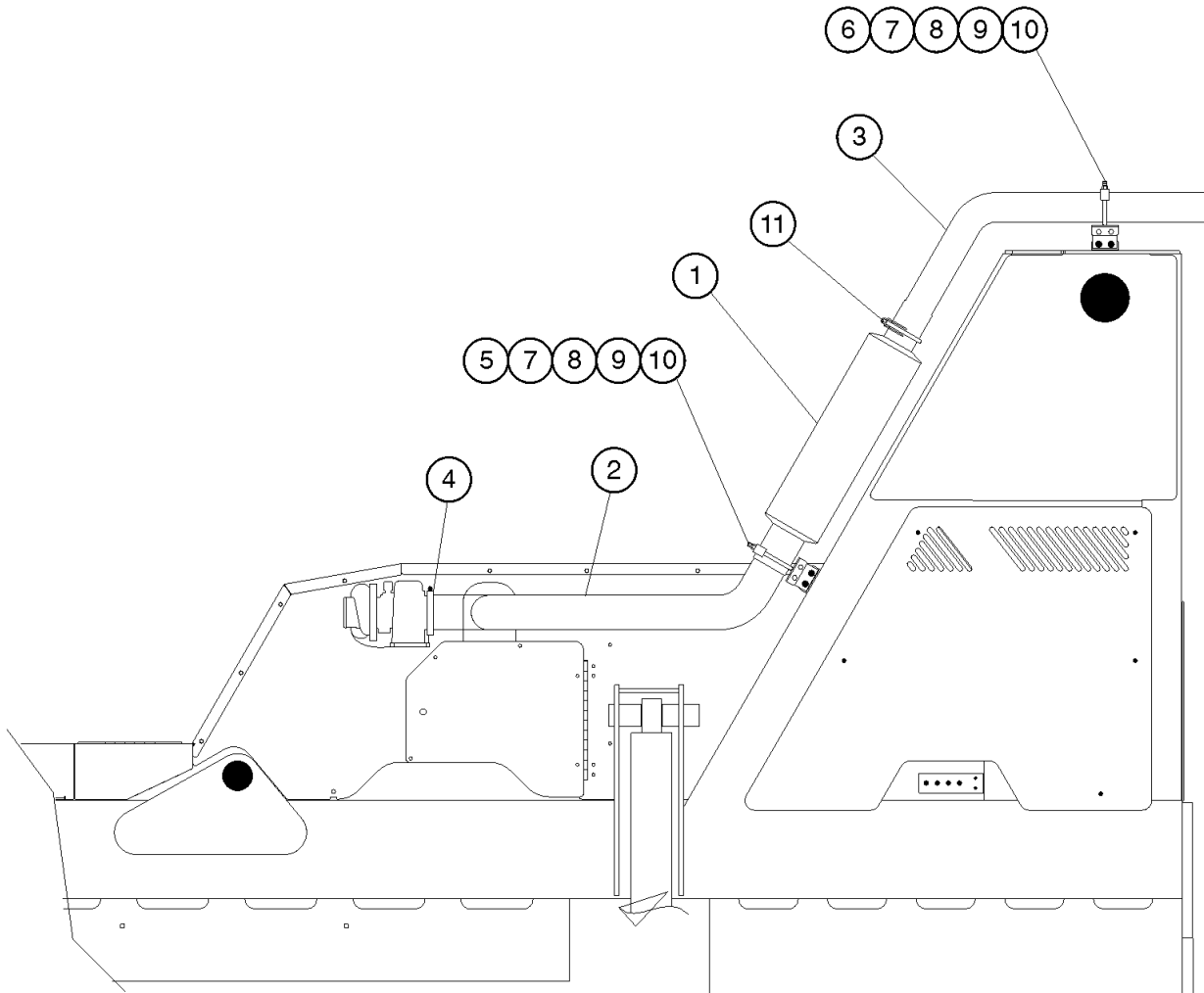
509.1 Engine Assembly, Perkins 1104C, Tier 2 and Tier 3, View 3



## 509.1 Engine Assembly, Perkins 1104C, Tier 2 and Tier 3, View 3

Item	Part No.	Description	Qty.
1	123098GT	RELAY / GLOW PLUG.....1	1
--	117260GT	DECAL,GLOW PLUGS	
--	123089GT	PLUG / GLOW	
2	130339GT	THERMOSTAT&GASKETS;PERKINS.....1	1
--	226620GT	SEAL,THERMOSTAT HSG,PERK 6/8K	
--	75321GT	SCREW,THERMSTAT.PERKINS1004-42	
3	226615GT	ASSY,VALVE COVER,PERK T3 6/8K.....1	1
--	102600GT	SEAL-VALVE COVER PERKINS 1104C	
--	226616GT	BOLT,VLV COVER,6MM,PERK T3 6/8	
4	226617GT	MANIFOLD,EXH,PERK T3 6/8K.....1	1
--	102630GT	SEAL- EXHAUST MANIFOLD PERK-44	
--	226618GT	BOLT,EXH MAN M10X1.5X45,PER T3	
5	102645GT	PULLEY,ALTERNATOR, PERK 1104C....1	1
6	226628GT	ALTERNATOR,PERK T3 6/8K.....1	1
--	T114411GT	SCREW,ALTERNATOR MOUNTING	
7	123086GT	ELBOW / EXHAUST.....1	1
8		Ref. Turbo Charger <i>(Please consult certified Perkins service technician)</i>	
9	226627GT	STARTER,ENG,PERK T3 6/8/10K.....1	1
--	T114409GT	STUDS,STARTER, 10MMX1.5MMX65MM	
--	T114410GT	NUT,STARTER,FLANGED,10MMX1.5MM	
10	102641GT	OIL PAN,PERKINS 1104C-44.....1	1
--	102642GT	GASKET - OIL PAN, PERKIN 1104C	
11	75342GT	PLUG,ENGINE OIL,PERKIN 1004-42.....1	1
--	75343GT	WASHER,OIL DRAIN,PERKIN1004-42	
12	123363GT	FLYWHEEL HOUSING,PERKINS ENGIN.....1	1
13	123080GT	RING GEAR / FLYWHEEL.....1	1
14	123362GT	FLYWHEEL,PERKINS ENGINE.....1	1
--	226614GT	BOLT,FLYWHEEL,PERK T3 6/8K	
--	T114334GT	WASHER,FLYWHEEL,PERKINS 127HP	

510.1 Exhaust Assembly, JD-4045 and Deutz BF4M2012

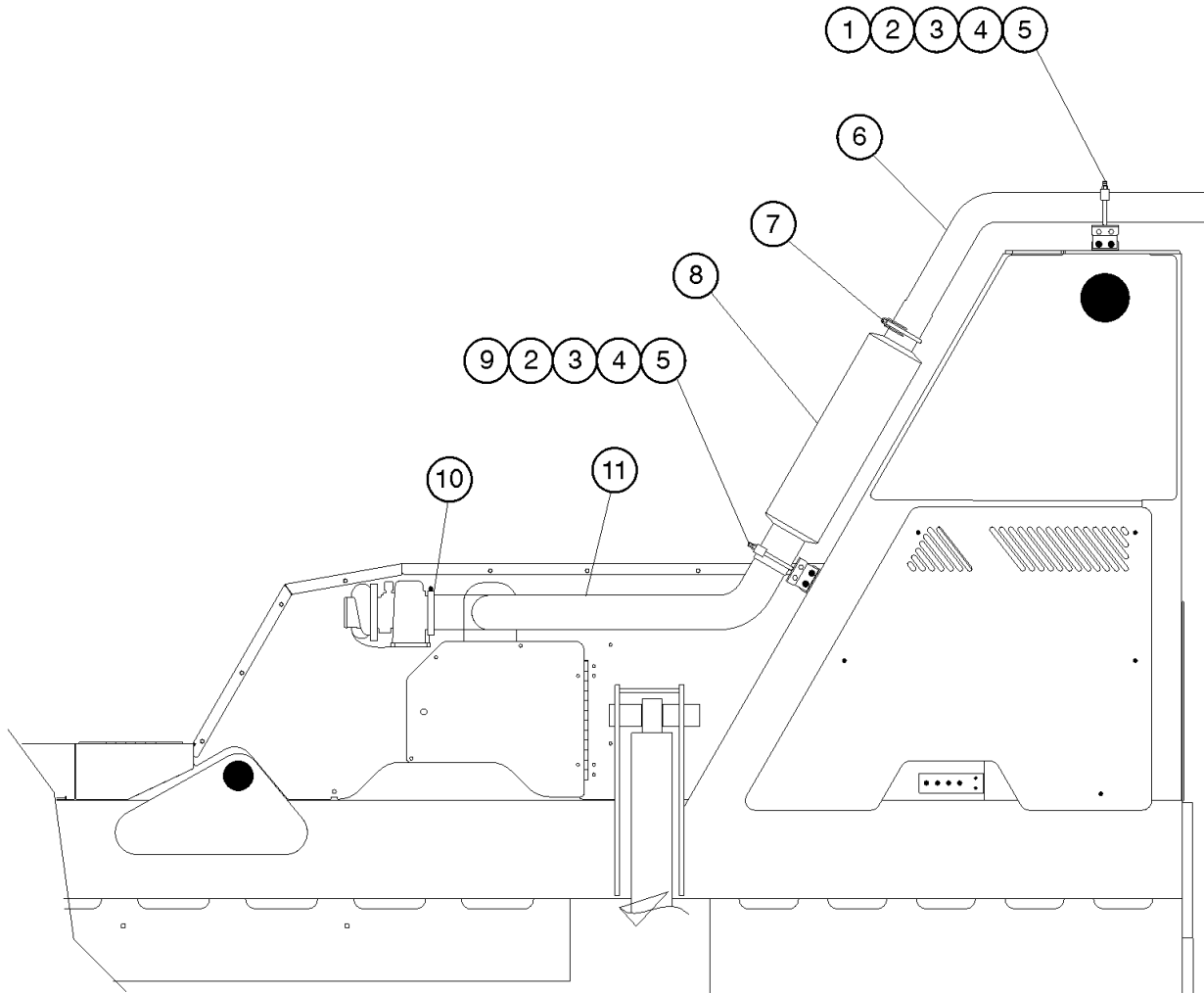




## 510.1 Exhaust Assembly, JD-4045 and Deutz BF4M2012

Item	Part No.	Description	Qty.
--	108529GT	EXHAUST ASSY,DEUTZ-2012	
--	4-2377GT	EXHAUST FLANGE	
--	130857GT	EXHAUST ASSY,JD TIER3, 644-8XX	
1	7-282-05GT	MUFFLER.....	1
2A	5-2005GT	Exhaust Pipe.....	1
2B	130810GT	EXHAUST PIPE,JD TIER3,644-8XX	
2C	4-2371GT	EXHAUST PIPE, DEUTZ ENGINE (Deutz 2012)	
3	3-1349GT	TAILPIPE.....	1
4	7-183-98GT	CLAMP,TURBO-EXHAUST PIPE.....Ref. (with engine)	
5	2-1166GT	EXHAUST BRACKET, 3 1/2.....	1
6	123190GT	CLAMP BRACKET, EXHAUST, 3.....	1
7	1-1173GT	FLEX JOINT, EXHAUST MOUNT.....	2
--	1-1176GT	GASKET,EXHAUST	
8	6-5204-08GT	SCREW,HHC,1/4-20X1,GR8.....	8
9	6-6212-04GT	WASHER,FLAT,.250, HARDENED.....	8
10	6091GT	NUT,NYLOCK,1/4-20.....	8
11	7-319-14GT	CLAMP,MUFFLER,3 1/4".....	1

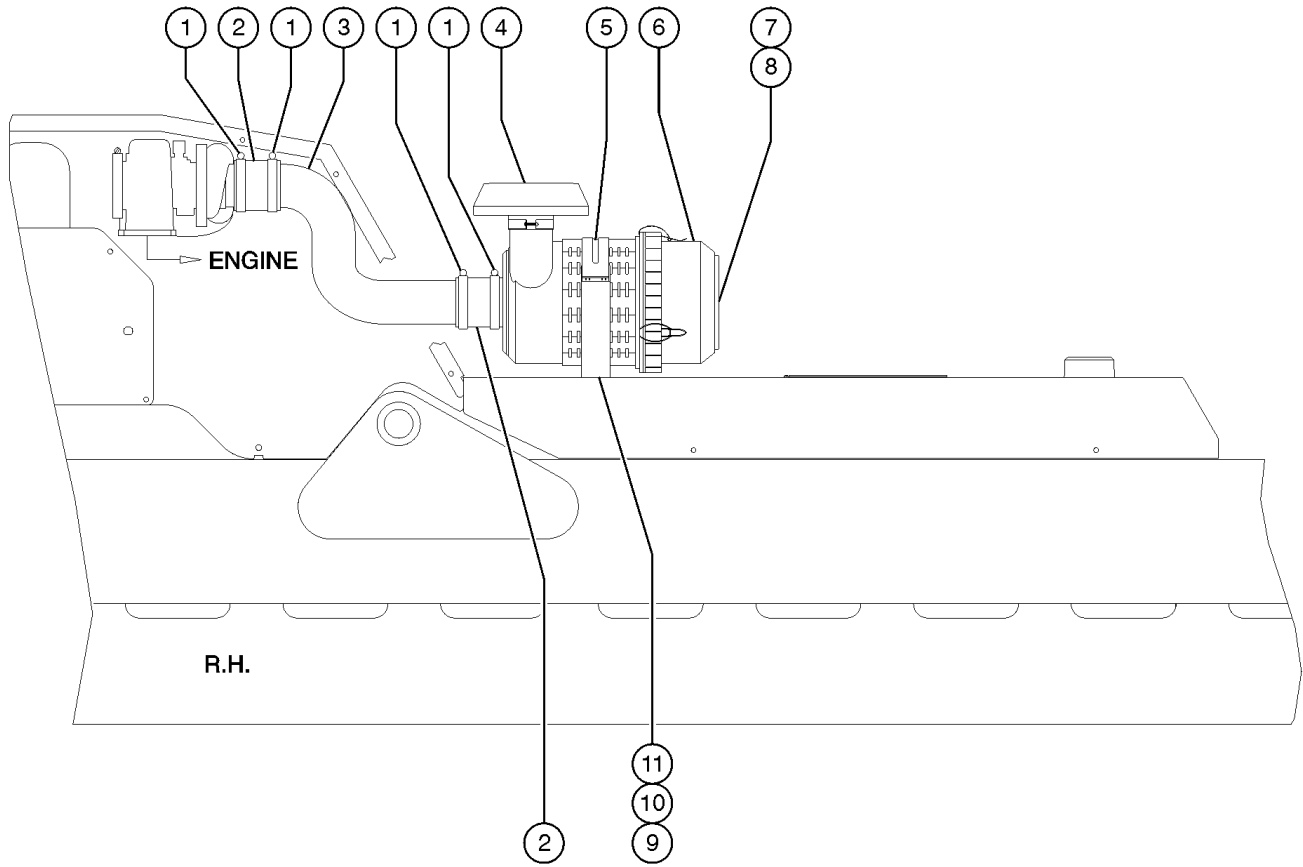
511.1 Exhaust Assembly, Perkins 1104C



## 511.1 Exhaust Assembly, Perkins 1104C

Item	Part No.	Description	Qty.
--	117586GT	EXHAUST ASEMBLY,PERKINS.....	1
1	123190GT	CLAMP BRACKET, EXHAUST, 3.....	1
2	1-1173GT	FLEX JOINT, EXHAUST MOUNT.....	2
--	1-1176GT	GASKET,EXHAUST.....	1
3	6-5204-08GT	SCREW,HHC,1/4-20X1,GR8.....	8
4	6-6212-04GT	WASHER,FLAT,250, HARDENED.....	8
5	6091GT	NUT,NYLOCK,1/4-20.....	8
6	3-1349GT	TAILPIPE.....	1
7	7-319-14GT	CLAMP,MUFFLER,3 1/4".....	1
8	7-282-05GT	MUFFLER.....	1
9	2-1166GT	EXHAUST BRACKET, 3 1/2.....	1
10	117046GT	EXHAUST FLANGE,PERKINS ENG.....	1
--	4828GT	NUT,NYLOCK,3/8-16.....	2
--	6019GT	SCREW,HHC,3/8-16 X 1.25 GRD 5.....	2
--	6021GT	WASHER,LOCK,.375.....	2
11	117048GT	EXHAUST PIPE,PERKINS ENG.....	1

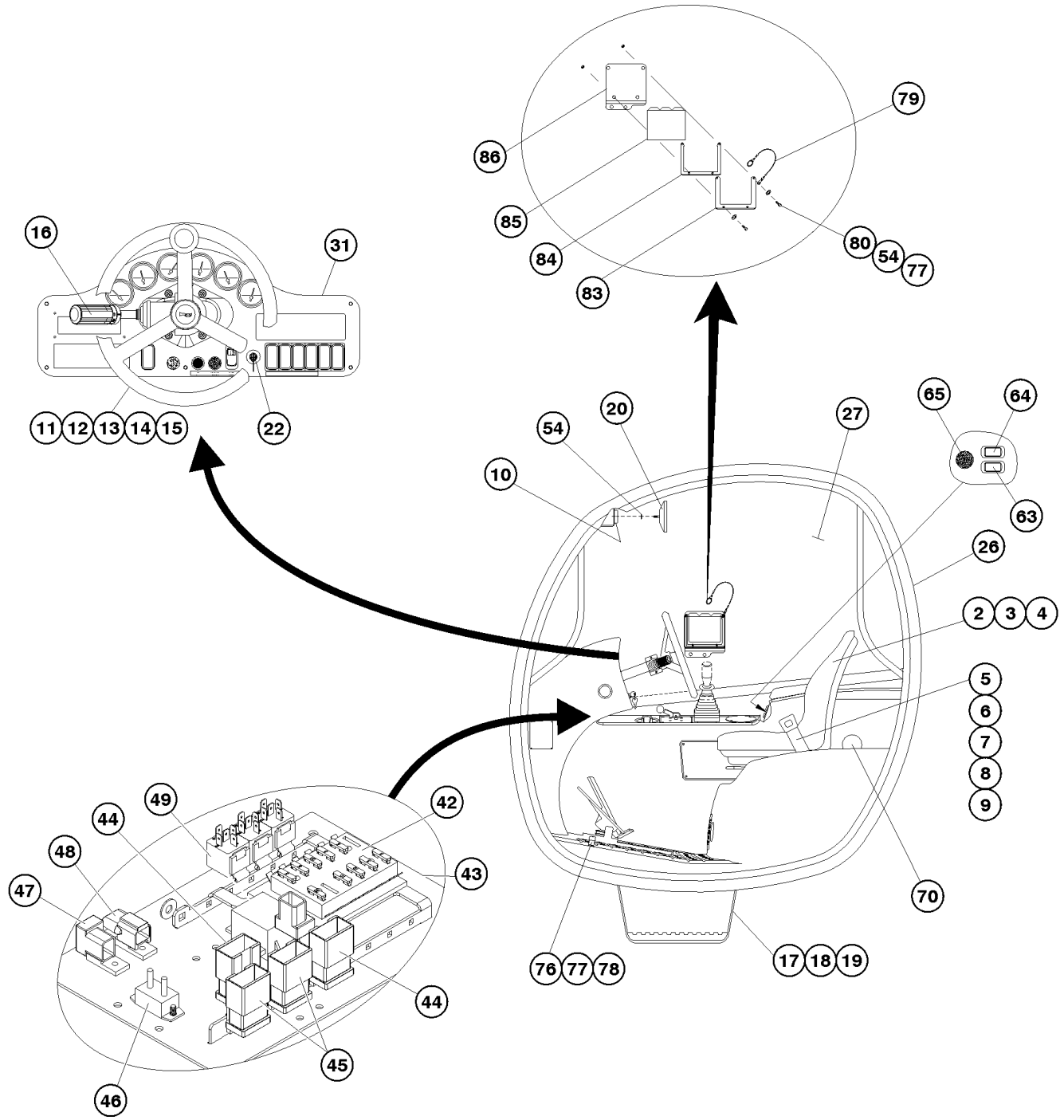
512.1 Air Cleaner Assembly, All Models



## 512.1 Air Cleaner Assembly, All Models

Item	Part No.	Description	Qty.
1	123161GT	HOSE CLAMP.....	4
2A	108612GT	CONNECTOR,RUBBER,AIR INTAKE..... <i>(John Deere)</i>	2
2B	7-109-17GT	COUPLING W/PORT,AIR INTAKE <i>(Deutz, Perkins)</i>	
3A	130811GT	INTAKE PIPE,JD TIER3, 644-8XX..... <i>(John Deere)</i>	1
3B	4-2370GT	AIR INTAKE TUBE <i>(Deutz 2012)</i>	
3C	117050GT	AIR INTAKE PIPE <i>(Perkins 1104C)</i>	
4	7-109-02GT	RAIN CAP W/CLAMP.....	1
5	7-109-03GT	MOUNTING BAND, SMALL BASE.....	1
6A	7-109-16GT	AIR CLEANER ASSEMBLY..... <i>(John Deere)</i>	1
6B	108530GT	AIRCLEANER ASSY,DEUTZ-2012	
6C	117587GT	AIR CLEANER ASSY,PERKINS	
7	7-109-14GT	SAFETY ELEMENT.....	Ref.
8	7-109-04GT	FILTER ELEMENT / PRIMARY.....	Ref.
9	6-6205-05GT	NUT,NYLOCK,5/16-18,GR8.....	2
10	57201GT	WASHER,FLAT,313, HARDENED.....	2
11	6-5205-10GT	SCREW,HHC,5/16-18X1.25,GR8.....	2

601.1 Operators Compartment Assembly, View 1



## 601.1 Operators Compartment Assembly, View 1

Item	Part No.	Description	Qty.	Item	Part No.	Description	Qty.
--	108676GT	PLATE,DECAL MOUNTING <i>(this is the plate the cab decals are mounted on)</i>		--	T109235GT	KIT, CLAMP (7-125-05)	
--	130816	HARNES, TIER 3 ADAPTER <i>(from GTH0808A-12690, except 12695 and 12696)</i>		17	130345GT	SERVICE KIT,FLEX STEP,STCIII.....1	
--	4-2360GT	Harness / Instrument Panel		18	123663GT	SCREW,HHC,1/2-13X1.25,GR8,Y.....2	
--	4-2361GT	Harness / Main Power		19	6033GT	WASHER,LOCK,0.5".....2	
--	46718GT	TRIMLOCK,BLACK,3/16.....40	40	20	123573GT	MIRROR, INTERIOR.....1	
A	123841GT	SERVICE KIT,LD CHRT HOLDER,644 <i>(Includes items 54,77, 79-86)</i>		22	1289104GT	KIT,SWITCH WITH KEYS.....Ref.	
--	123800GT	ASSY,LOAD CHART HOLDER,644/8XX <i>(Includes items 54, 77, 79-84 &amp; 86)</i>		--	58322GT	KEY,SET 2 KEYS	
B	123842GT	SERVICE KIT,LD CHRT HOLDER,842 <i>Includes items 54, 77, 79-86</i>		26	130294GT	GLASS / REAR.....1	
--	123800GT	ASSY,LOAD CHART HOLDER,644/8XX <i>Includes items 54, 77, 79-84 &amp; 86</i>		27	130295GT	GLASS / RH SIDE / SAF-T-CAB II.....1	
C	123843GT	SERVICE KIT,LD CHRT HOLDER,844 <i>Includes items 54, 77, 79-86</i>		31	7-132-147GT	DASH PANEL,STCIII.....1	
--	123800GT	ASSY,LOAD CHART HOLDER,644/8XX <i>Includes items 54, 77, 79-84 &amp; 86</i>		--	19506GT	HOUR METER,10-80 VOLTS***.....1	
--	4-2363GT	Harness / Rear Lock-Up		--	7-164-01GT	SWITCH,3TERM,3POS,ROCKE <i>heater</i>	
--	4-2367GT	Harness / Column Mounted Shifter		--	7-164-02GT	SWITCH,LIGHTS <i>lights</i>	
2A	123137GT	SEAT ASSY, STD.....1	1	42	123133GT	FUSE BLOCK.....1	
2B	123574GT	SEAT ASSY, FULL-SUSPENSION <i>option</i>		43	123198GT	FUSE,5 AMP.....3	
3	6886GT	WASHER,LOCK,.313.....4	4	43	123798GT	HARNES,WORK LIGHTS, BACK.....3	
4	6038GT	NUT,HEX,5/16-18,GR8.....4	4	44	123199GT	FUSE,20 AMP.....1	
5A	7-337-01GT	SEATBELT 2.5" WIDE STANDARD.....1 <i>for standard seat</i>	1	45	123688GT	FUSE,10 AMP,ATC.....2	
5B	108670GT	SEATBELT,3"WIDE,REQ'D IN CA,TH <i>for suspension seat</i>		46	123134GT	RELAY, HIGH CAPACITY.....1	
6	123840GT	SCREW,HHC,5/16-18X.75,GR8,Y.....2	2	47	123135GT	CIRCUIT BREAKER,40AMP.....1	
7	57201GT	WASHER,FLAT,313, HARDENED.....2	2	--	123677GT	CIRCUIT BREAKER BOOT.....1	
8	6886GT	WASHER,LOCK,.313.....2	2	54	6-6212-04GT	WASHER,FLAT,.250, HARDENED.....36	
9	6038GT	NUT,HEX,5/16-18,GR8.....2	2	63	123567GT	PANEL PLUG.....1	
10	123561GT	LEV-O-GAGE INDICATOR.....1	1	64	123138GT	SWITCH, AUXILIARY.....1	
11		Ref. STEERING UNIT 250CC TEFLON <i>(refer to 911.1)</i>		65	7-144-10GT	HOLE PLUG, 1 3/16.....1	
12	123136GT	STEERING WHEEL, 362MM.....1	1	70	123572GT	HOLE PLUG, 3 IN.....7	
13	7-147-41GT	HORN BUTTON KIT***.....1	1	76	123562GT	SWITCH, DIFFERENTIAL LOCK <i>GTH-844</i>	
--	7-147-44GT	CONTACT BRUSH SET(HORN) <i>for 7-147-41</i>		77	6-5204-04GT	SCREW,HHC,1/4-20X.5,GR8	
--	7-369-01GT	HORN		77	6-5204-10GT	SCREW,1/4-20 X 1.25,GR8.....6	
14	7-147-04GT	NUT / STEERING WHEEL.....Ref.	Ref.	78	6356GT	WASHER,LOCK,.25	
15	218100GT	COLUMN, STEERING, 225MM.....1 <i>includes item 14; replaced 123564</i>	1	79	123839GT	LANYARD ASSY,RETAINING WASHER.....1	
16	7-125-05GT	SHIFTER ASSEMBLY***.....1	1	80	6889GT	NUT,LP NYLOCK,1/4-20.....4	
				83	130480GT	HDPE,LOAD CHART HOLDER.....1	
				84	123291GT	PLATE,LOADCHART FRAME.....2	
				85A	130687GT	CARD,LOAD RNG,644 STD FKS.....1 <i>(Standard fork only)</i>	
				85A	130688GT	CARD,LOAD RNG,644 SWG CARR.....1 <i>(Swing Carriage only)</i>	
				85A	130689GT	CARD,LOAD RNG,644 PIN ON BKT.....1 <i>(Pin on bucket only)</i>	
				85A	130690GT	CARD,LOAD RNG,644 PIN ON TB.....1 <i>(Pin on truss boom only)</i>	

### 601.1 Operators Compartment Assembly, View 1 (continued)

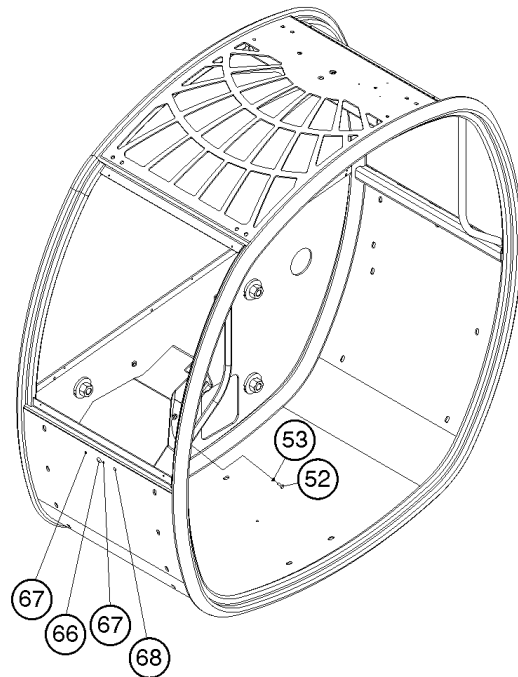
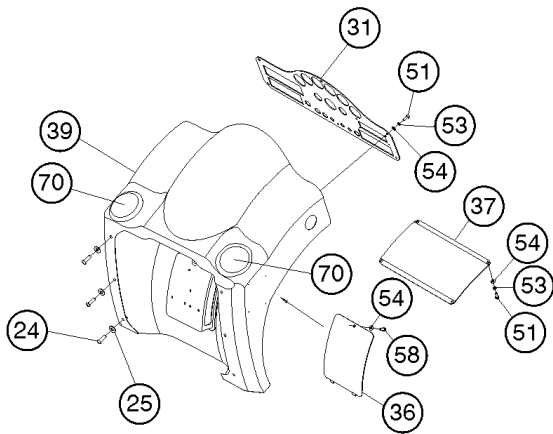
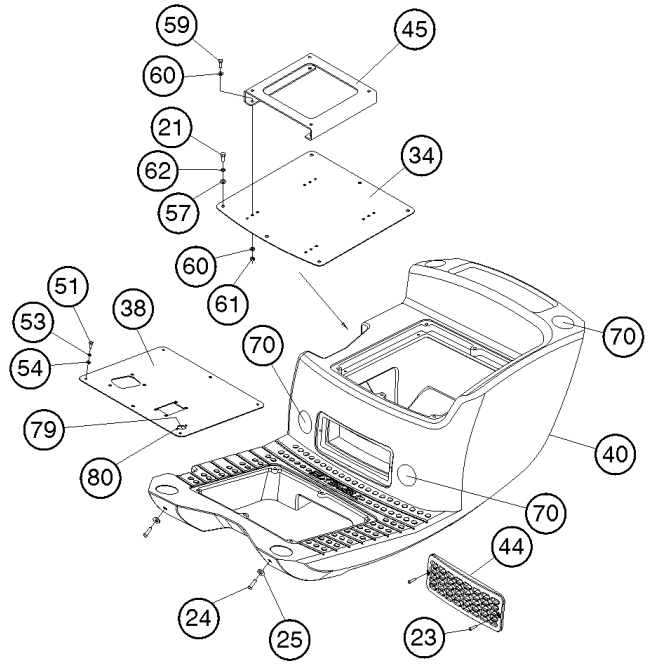
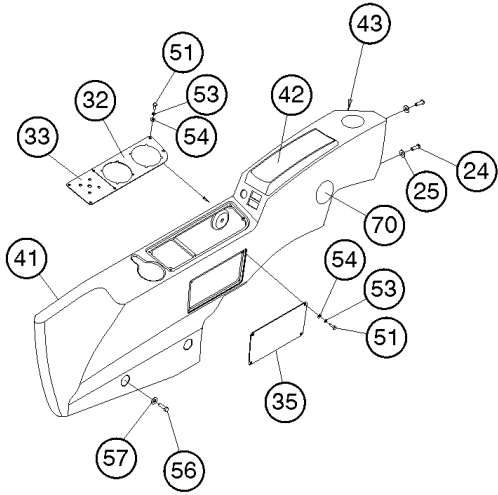
Item	Part No.	Description	Qty.
85A	130691GT	CARD,LOAD RNG,644 QA BKT.....1 <i>(Quick attach bucket only)</i>	
85A	130692GT	CARD,LOAD RNG,644 QA TB.....1 <i>(Quick attach truss boom only)</i>	
85A	130693GT	CARD,LOAD RNG,644 CAT ADPT.....1 <i>(Cat attachment adapter only)</i>	
85A	T107982GT	CARD,LOAD RNG,644 QA&ROT.....1 <i>(Quick attach rotate carriage only)</i>	
85B	130701GT	CARD,LOAD RNG,844 STD FKS.....1 <i>Standard fork only</i>	
85B	130702GT	CARD,LOAD RNG,844 SWG CARR.....1 <i>Swing Carriage only</i>	
85B	130703GT	CARD,LOAD RNG,844 PIN ON BKT.....1 <i>Pin on bucket only</i>	
85B	130704GT	CARD,LOAD RNG,844 PIN ON TB.....1 <i>Pin on truss only</i>	
85B	130705GT	CARD,LOAD RNG,844 QA BKT.....1 <i>Quick attach bucket only</i>	
85B	130706GT	CARD,LOAD RNG,844 QA TB.....1 <i>Quick attach truss only</i>	
85B	130707GT	CARD,LOAD RNG,844 CAT ADPT.....1 <i>CAT attachment adapter only</i>	
85B	141946GT	CARD,LOAD RNG,844 QA&ROT.....1 <i>Quick attach rotate carriage only</i>	
86	123425GT	FORMING,LOAD CHART HOLDER BACK.....1	



601.1 Operators Compartment Assembly, View 1  
(continued)

*This Page Intentionally Left Blank*

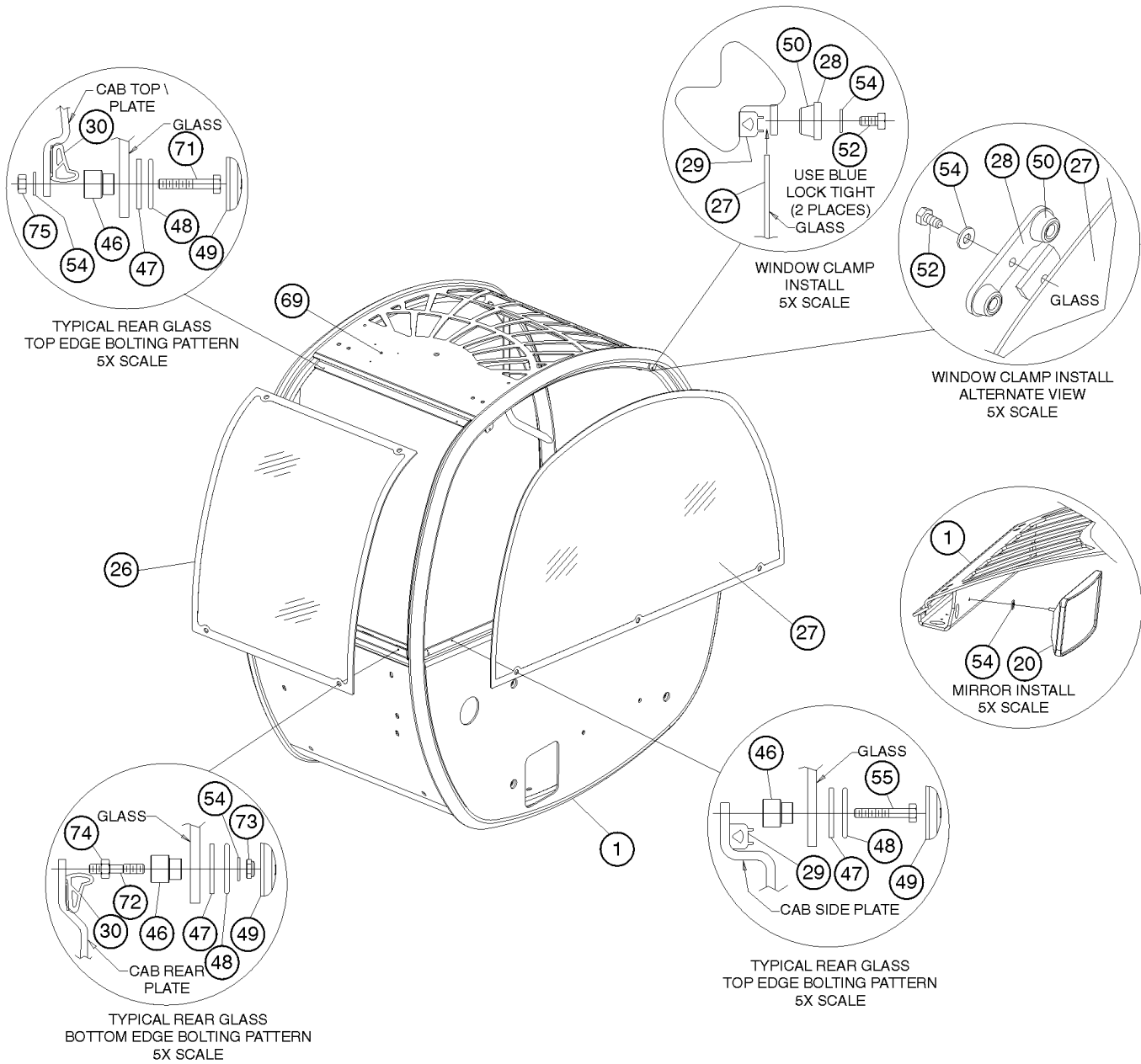
602.1 Operators Compartment Assembly, View 2



## 602.1 Operators Compartment Assembly, View 2

Item	Part No.	Description	Qty.
21	94195GT	SCREW,HHC,3/8-16 X .75,GR 8.....	6
23	108717GT	SCREW,BHHS,1/4-20X5/8,BLK.....	2
24	108585GT	SCREW,BHHS,3/8-16X.75,GR5.....	18
25	6097GT	WASHER,FLAT,USS,3/8",Y.....	18
31	7-132-147GT	DASH PANEL,STCIII.....	1
32	7-132-148GT	PLATE, JOYSTICK MOUNT.....	1
33	7-132-149GT	PLATE, STEERING SELECTOR MOUNT.....	1
34	7-132-150GT	PLATE, SEAT MOUNT.....	1
35	7-132-151GT	COVER, SIDE CONSOLE.....	1
36	7-132-152GT	PANEL, FUSE BLOCK.....	1
37	7-132-153GT	PANEL, STEERING ORBITAL ACCESS.....	1
38	7-132-154GT	PLATE, PEDAL MOUNTING.....	1
39	7-132-155GT	CONSOLE, FRONT.....	1
40	7-132-156GT	SEAT BASE.....	1
41		SIDE CONSOLE,PLASTIC,STCIII.....Ref. <i>(no longer available, refer to item 43, below)</i>	
42	7-132-159GT	Hinged Arm Rest, Black Plastic.....	Ref.
43	7-132-166GT	SIDE CONSOLE ASSEMBLY..... <i>includes items 41 and 42</i>	1
44	108675GT	HEATER LOUVER,STL,12GA.....	1
45	7-132-108GT	SEAT MOUNT RISER.....	1
51	6-5204-06GT	SCREW,HHC,1/4-20X.75,GR8.....	26
52	6-5204-04GT	SCREW,HHC,1/4-20X.5,GR8.....	3
53	6356GT	WASHER,LOCK,.25.....	27
54	6-6212-04GT	WASHER,FLAT,.250, HARDENED.....	34
56	77692GT	SCREW,HHC,3/8-16 X 1 GRD 8.....	4
57	19934GT	WASHER,3/8 HARD.STEEL-FLAT,USS.....	10
58	7-194-82GT	BOLT,1/4-20 TRI-WING KNOB.....	1
59	6-5205-08GT	SCREW,HHC,5/16-18X1.....	4
60	57201GT	WASHER,FLAT,313, HARDENED.....	8
61	6-6205-05GT	NUT,NYLOCK,5/16-18,GR8.....	4
62	6021GT	WASHER,LOCK,.375.....	6
66	7-144-03GT	HOLE PLUG, 3/4 DIA.....	2
67	7-144-08GT	HOLE PLUG, 5/16 DIA.....	4
68	7-144-01GT	HOLE PLUG, 7/16 DIA.....	2
70	123572GT	HOLE PLUG, 3 IN.....	7
79	7-144-09GT	HOLE PLUG,1 1/8 DIA.....	1
80	7-144-08GT	HOLE PLUG, 5/16 DIA.....	2

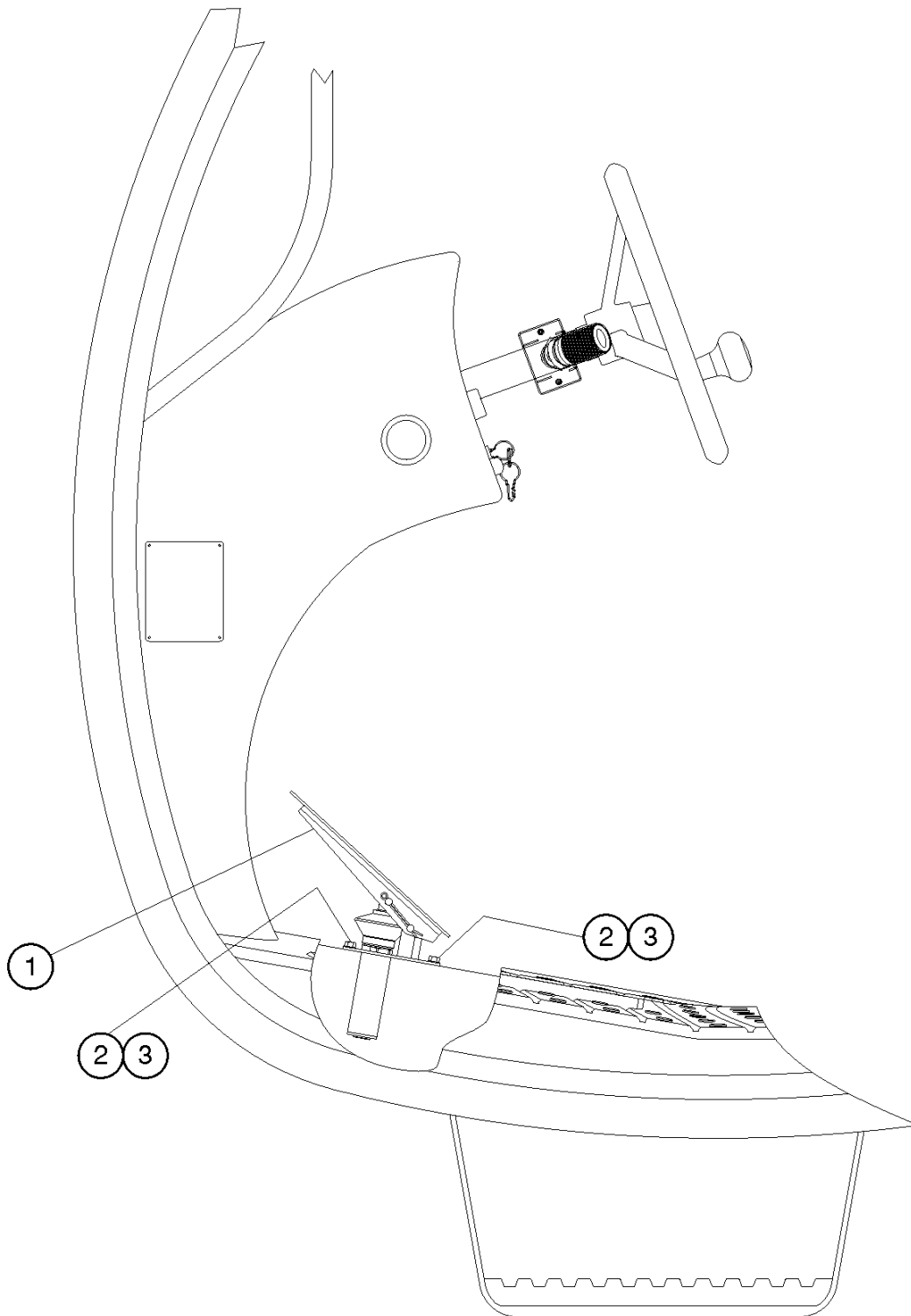
603.1 Operators Compartment Assembly, View 3



## 603.1 Operators Compartment Assembly, View 3

Item	Part No.	Description	Qty.
--	138029GT	R.H. PANEL / SAF-T-CAB III	
1A	141788GT	CANOPY ASSY,ISO MOUNTED,STCIII.....	1
1B	108570GT	CAB, OPEN WITH PLEXIGLASS (option)	
20	123573GT	MIRROR, INTERIOR.....	1
26	130294GT	GLASS / REAR.....	1
27	130295GT	GLASS / RH SIDE / SAF-T-CAB II.....	1
28	7-132-145GT	CLIP / GLASS RETAINER..... (does not include rubber bumper, item 50)	2
29	7-132-146GT	WINDOW / RUBBER MOUNTING / PE.....	172"
30	7-132-146GT	WINDOW / RUBBER MOUNTING / PE.....	136"
46	7-132-247GT	SPACER / GLASS.....	7
47	7-132-246GT	RUBBER SEAL WASHER.....	7
48	7-132-84GT	WASHER,STC PLASTIC COVER.....	7
49	7-132-74GT	COVER,STC PLASTIC BOLT.....	7
50	7-132-164GT	RUBBER BUMPER / STICK ON.....	4
52	6-5204-04GT	SCREW,HHC,1/4-20X.5,GR8.....	3
54	6-6212-04GT	WASHER,FLAT,.250, HARDENED.....	34
55	6-5204-10GT	SCREW,1/4-20 X 1.25,GR8.....	3
69	7-144-07GT	HOLE PLUG, 3/8 DIA.....	1
71	6-5204-12GT	SCREW,HHC,1/4-20 X1.50,GR8.....	2
72	7-132-244GT	STUD / 1/4-20 / PLATED.....	2
73	7-132-245GT	NUT / NYLOCK JAM.....	2
74	6-6201-04GT	NUT,HEX,1/4-20.....	2
75	6091GT	NUT,NYLOCK,1/4-20.....	2

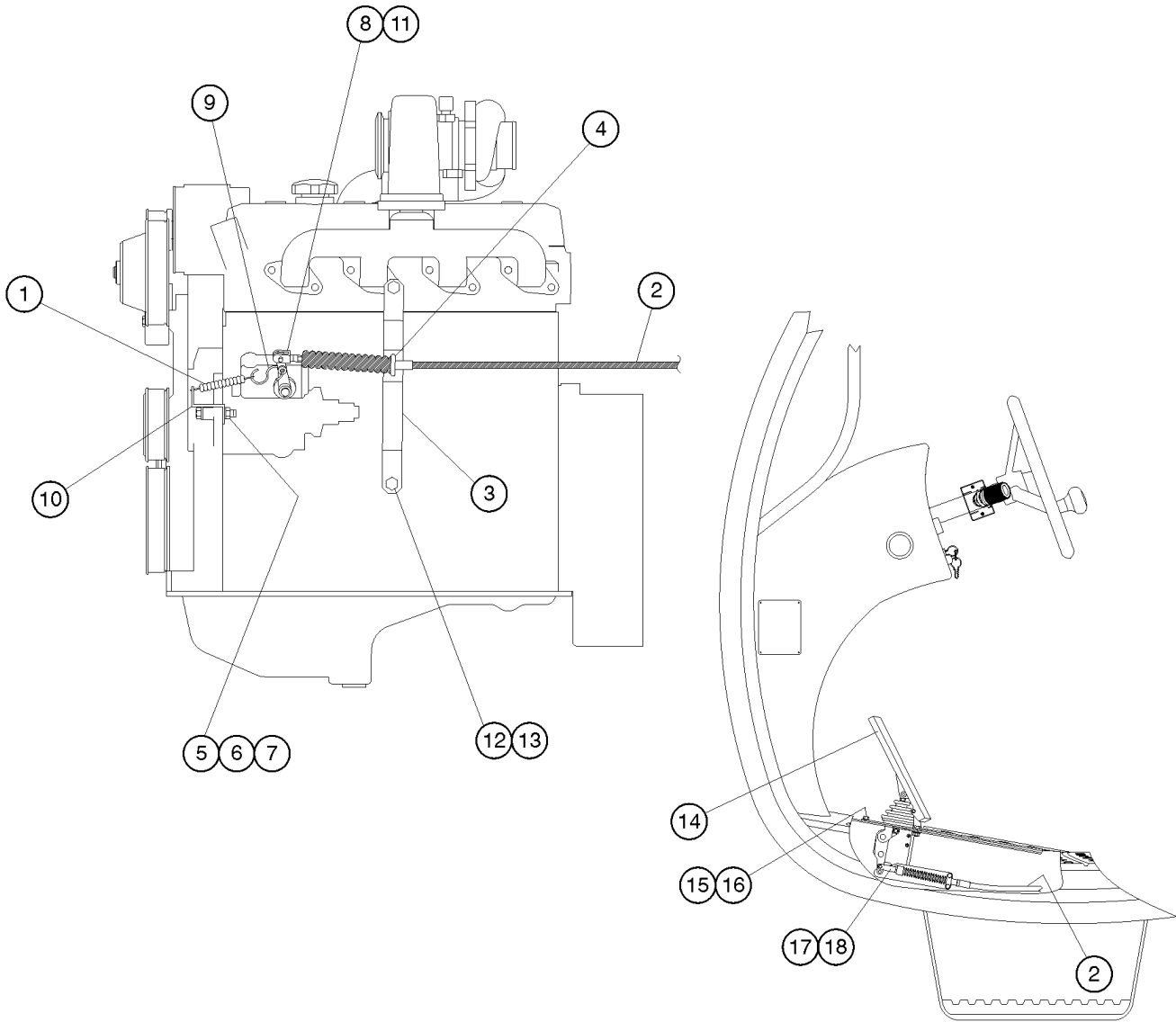
604.1 Foot Brake Assembly



604.1 Foot Brake Assembly

Item	Part No.	Description	Qty.
1	117694GT	BRAKE PEDAL,FLOOR MOUNT.....Ref.	
2	6-5204-06GT	SCREW,HHC,1/4-20X.75,GR8.....4	
3	6356GT	WASHER,LOCK,.25.....4	

605.1 Accelerator Assembly with Pedal End

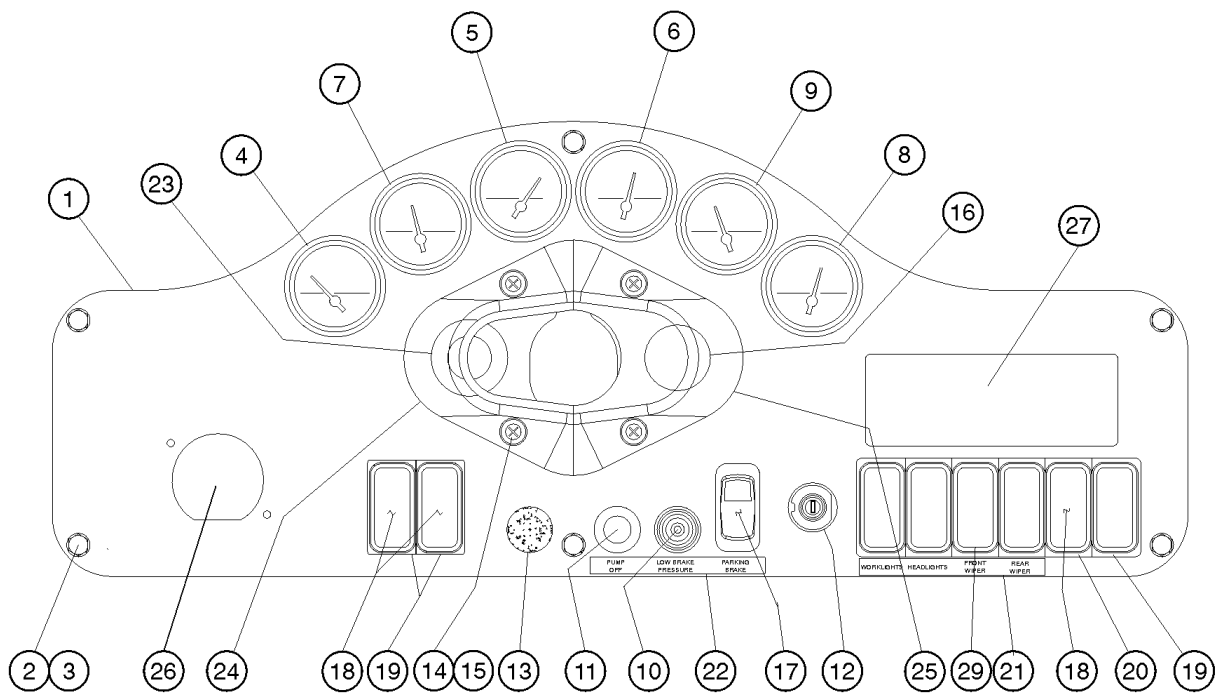




## 605.1 Accelerator Assembly with Pedal End

Item	Part No.	Description	Qty.
1	7-194-20GT	SPRING.....	1
2A	7-183-240GT	ACCELERATOR CABLE / SAF-T-CAB....	1
2B	226457GT	CABLE ASSY, THROTTLE, 9" (Perkins, Tier 3)	
3	3-1213GT	MOUNT / ACCELERATOR CABLE.....	1
4	7-194-07GT	U-BOLT, 1/4-20.....	1
5	6-8108-55GT	HEX HEAD CAPSCREW.....	1
6	6-9111-08GT	8MM LOCKWASHER.....	1
7	6-9101-08GT	8MM X 1.25 HEX NUT.....	1
8	21130GT	CLEVIS YOKE-1/4-28, PLTD W/PIN.....	1
9	7-194-18GT	S-HOOK.....	1
10	1-1017GT	MOUNT / RETURN SPRING.....	1
11	6-6208-04GT	JAM NUT, 1/4-28.....	Ref.
12	6-8514-25GT	CAPSCREW / HEX HEAD.....	Ref.
13	37505GT	WASHER, LOCK, M14.....	Ref.
14	130859GT	THROTTLE PEDAL, FLOOR MNT, W-C.... (Tier 3)	1
--	123651GT	HARNES, THROTTLE PEDAL	
15	6-5204-06GT	SCREW, HHC, 1/4-20X.75, GR8.....	3
16	6356GT	WASHER, LOCK, .25.....	3
17	21130GT	CLEVIS YOKE-1/4-28, PLTD W/PIN.....	1
18	6-6208-04GT	JAM NUT, 1/4-28.....	Ref.

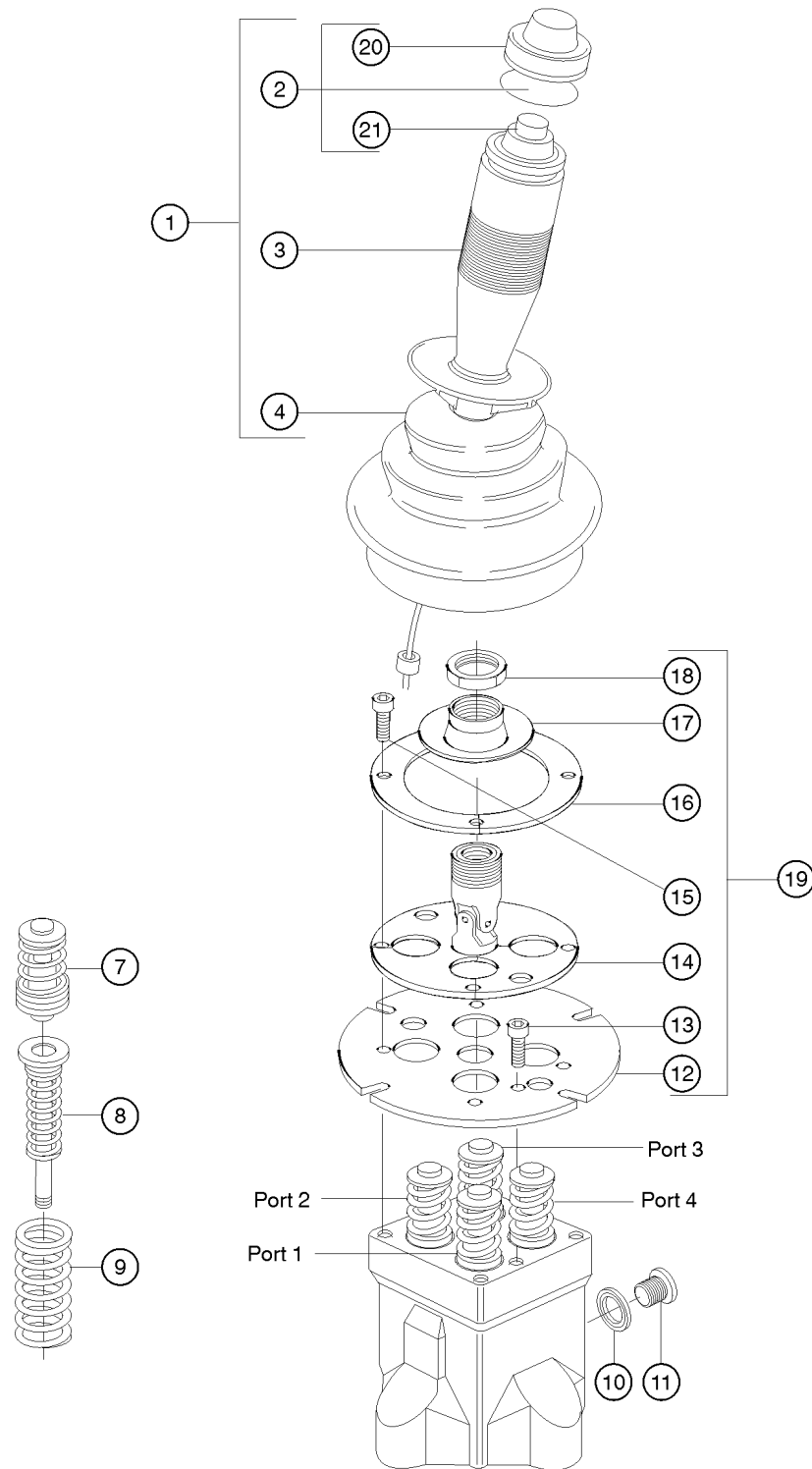
606.1 Instrument Panel Assembly



## 606.1 Instrument Panel Assembly

Item	Part No.	Description	Qty.
1	130814GT	DASH PANEL,STCIII.....Ref.	
2	6-5204-04GT	SCREW,HHC,1/4-20X.5,GR8.....6	
3	6356GT	WASHER,LOCK,.25.....6	
4	7-169-01GT	FUEL GAUGE.....1	
5	7-169-02GT	GAUGE, ENG OIL PRESSURE.....1	
6	7-169-03GT	GAUGE, TRANSMISSION OIL TEMP.....1	
7	7-169-04GT	GAUGE,ENGINE WATER TEMP.....1	
8	7-169-05GT	VOLTMETER GAUGE.....1	
9	7-169-06GT	GAUGE,TRANSMISSION OIL PRESS....1	
10	123203GT	WARNING LIGHT.....1	
11	7-319-03GT	SWITCH,PUSHBUTTON.....1	
12	1289104GT	KIT,SWITCH WITH KEYS.....Ref.	
13	7-144-02GT	HOLE PLUG, 5/8 DIA.....1	
14	49818GT	SCREW,PHILLIPS,PHM,10-32 X .38.....4	
15	6146GT	WASHER,FLAT,MS,#10,Y.....4	
16	7-144-11GT	HOLE PLUG, 1 3/8.....1	
17	123200GT	SWITCH, PARKING BRAKE.....1	
--	130870GT	SINGLE BEZEL.....1	
18	123567GT	PANEL PLUG.....8	
19	123568GT	END BEZEL.....2	
20	123569GT	CENTER BEZEL.....4	
21		DECAL,DASH GANG SWITCHES.....Ref. (refer to 102.1)	
22		DECAL,PB,WARNING LT & PUMP.....Ref. (refer to 102.1)	
23	7-194-40GT	GROMMET.....1	
24	7-132-214GT	PLASTIC STEER COLUMN COVER LH.....Ref.	
25	7-132-215GT	PLASTIC STEER COLUMN COVER RH.....Ref.	
26	130813GT	COVER, CONTROL PANEL.....1	
--	15513GT	NUT,HEX,10-32.....2	
--	49816GT	SCREW,PHILLIPS,PHM,10-32 X .75.....2	
27	123367GT	COVER,CONTROL PANEL.....1	
--	15513GT	NUT,HEX,10-32.....4	
--	49816GT	SCREW,PHILLIPS,PHM,10-32 X .75.....4	
28	123273GT	DISPLAY,ENGINE DIAGNOSTIC	
29	123228GT	SWITCH,WASHER/WIPER.....1	

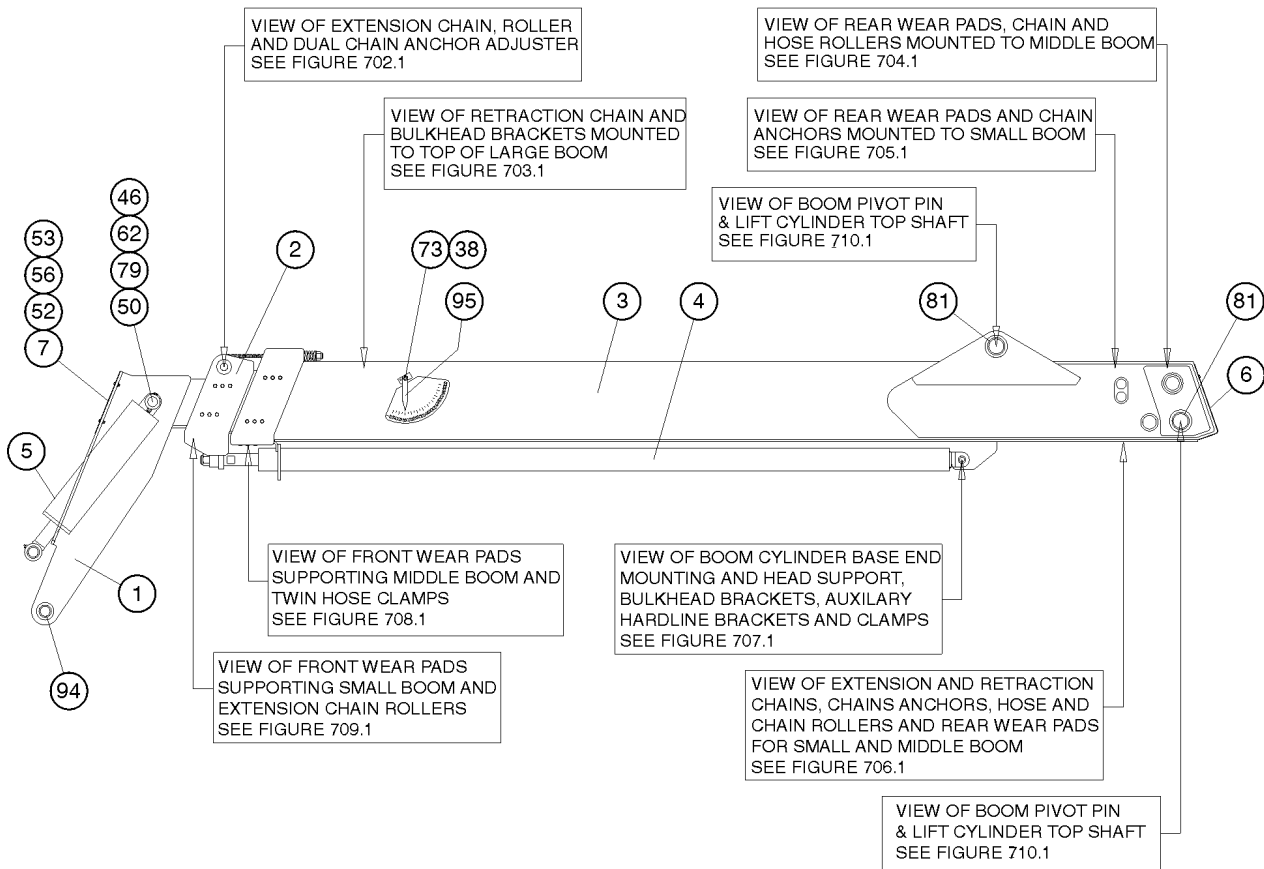
607.1 4-Way Controller Assembly



## 607.1 4-Way Controller Assembly

Item	Part No.	Description	Qty.
--	7-200-139GT	CONTROLLER, 4 WAY	
--	7-200-163GT	HANDLE ASSY / STEEL <i>STEEL replacement handle assy (does not include item 6; order separately)</i>	
1	7-200-15GT	HANDLE ASSEMBLY.....Ref. <i>PLASTIC handle assy, includes items 2-6 and 18 (does not include p/n 7-200-18; order separately)</i>	
--	7-200-15GT	HANDLE ASSEMBLY.....1 <i>includes harness</i>	1
2	238363GT	SERV KIT,CONTROL,HANDLE SWITCH.....1 <i>Includes 7-200-07, 7-200-09, lock ring and collar</i>	1
3	7-200-14GT	HANDLE GRIP.....1 <i>Plastic, sold as package of 2 pcs.</i>	1
4	7-200-05GT	BOOT.....1	1
--		LEVER.....1 <i>inside joystick handle, not shown. Obsolete. Purchase pn 7-200-139.</i>	1
--	49363GT	NUT,NYLOCK,M4X.70.....2 <i>not shown</i>	2
--	7-200-11GT	SCREW,M3-0.5X4.....2 <i>not shown</i>	2
--	7-200-12GT	SCREW,SHC,M4-0.7X10.....2 <i>not shown</i>	2
--	7-200-19GT	CLAMPING RING.....1 <i>not shown</i>	1
7A	7-200-128GT	SPRING PIN KIT.....4	4
7B	7-200-129GT	SPRING PIN KIT (FOR 7-200-81)	
8	7-200-158GT	SPRING PACK / FOR -139.....4	4
9	7-200-159GT	RETURN SPRING / FOR -139.....4	4
10	7-200-160GT	Flat Seal.....1	1
11	7-200-161GT	Plug.....1	1
12		Ref. Mounting Plate.....1	1
13	7-200-157GT	Screw.....2	2
14		Ref. Swivel Plate.....1	1
15	7-200-156GT	Screw.....4	4
16		Ref. Retaining Ring.....1 <i>(not available seperately)</i>	1
17		Ref. Threaded Cap.....1 <i>(not available seperately)</i>	1
18	7-200-16GT	NUT.....1	1
19	7-200-155GT	MOUNTING PLATE (FOR 7-200-139).....Ref. <i>includes items 12-18</i>	
20	238363GT	SERV KIT,CONTROL,HANDLE SWITCH	
21	238363GT	SERV KIT,CONTROL,HANDLE SWITCH.....1	1

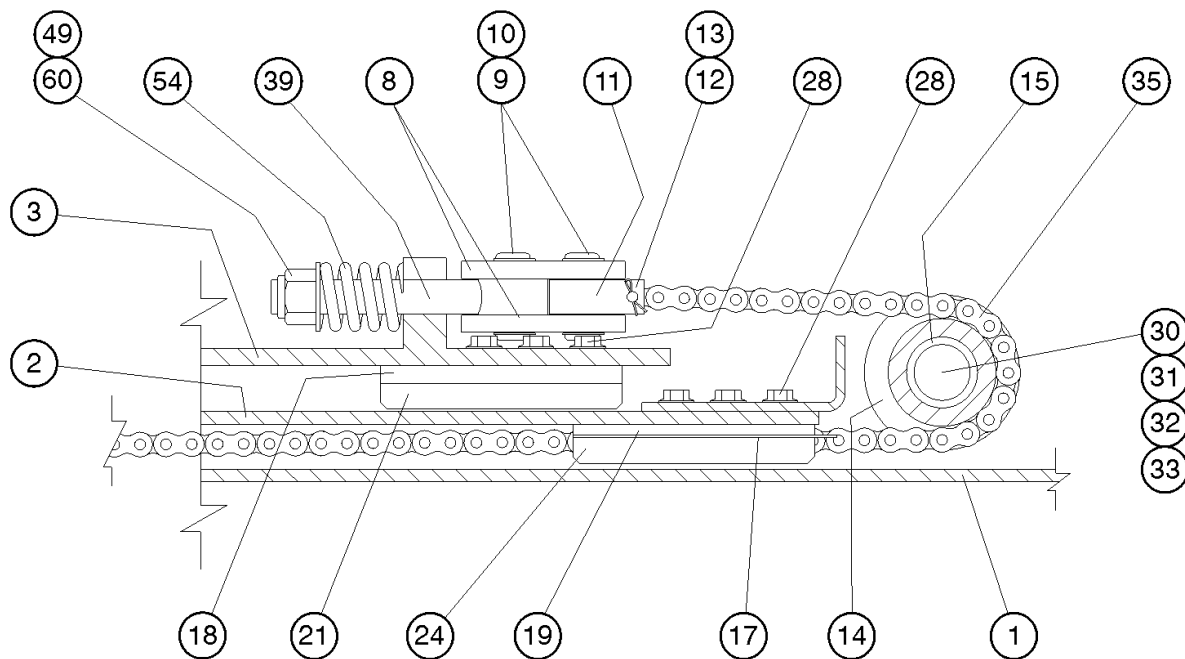
701.1 Boom Assembly, View 1



## 701.1 Boom Assembly, View 1

Item	Part No.	Description	Qty.
1	235393GT	ASSY,SMALL BOOM W/BRGS.....1 <i>(must specify color, gray or Genie Blue)</i> <i>(replaced weldment 5-2009 for service parts)</i>	1
2A	226876GT	ASSY,MID BOOM,BLUE,644.....1	1
2A	226877GT	ASSY,MID BOOM,GREY,644	
2B	226880GT	ASSY,MID BOOM,BLUE,844.....1	1
2B	226881GT	ASSY,MID BOOM,GREY,844.....1	1
3A	226222GT	LARGE BOOM ASSY GTH-644.....1 <i>(must specify color, gray or Genie Blue)</i>	1
3B	226223GT	LARGE BOOM ASSY,GTH-844.....1	1
4		CYLINDER ASSY,BOOM TH844.....1 <i>(refer to 904.1)</i>	1
5		CYLINDER,TILT, GTH8XX,GTH644.....1 <i>(refer to 903.1)</i>	1
6	5-2032GT	Cover / Rear.....1	1
7	5-2033GT	Cover / Front.....1	1
38	5397GT	WASHER,FLAT,USS,5/16",Y.....1	1
46	94643GT	ZERK,GREASE,5/16-24,STRAIT.....1	1
50	5-2048-1GT	PIN,TILT CYL.....1	1
52	8915GT	SCREW,HHC,1/4-20 X 1.25.....6	6
53	6091GT	NUT,NYLOCK,1/4-20.....6	6
56	6638GT	WASHER,FLAT,USS,1/4"Y.....8	8
62	6198GT	NUT,NYLOCK,1/2-13.....5	5
73	47094GT	SCREW,HHC,5/16-18 X .50.....1	1
79	47279GT	SCREW,HHC,1/2-13 X 3.75.....1	1
81	5-2046-4GT	BEARING,3.00IDX3.50ODX2.00L.....4	4
94	123188GT	BEARING,2.00IDX2.50ODX1.50L.....2	2
95	5-2131GT	Pointer / Boom Angle.....1	1

702.1 Boom Assembly, View 2

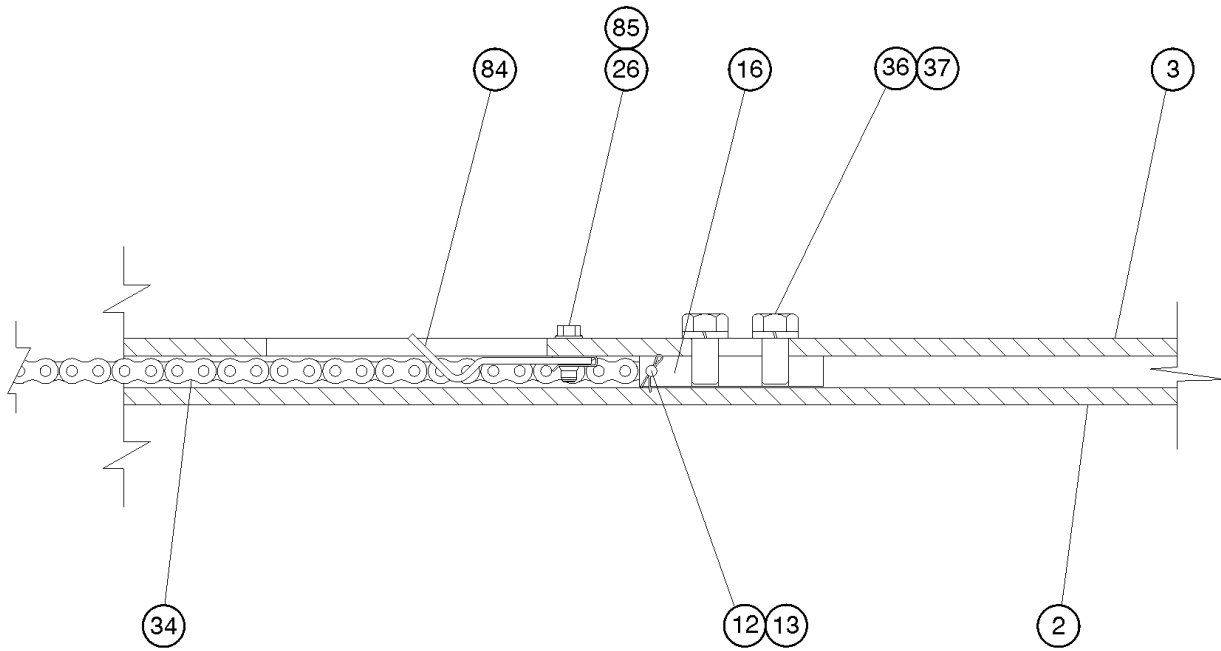




## 702.1 Boom Assembly, View 2

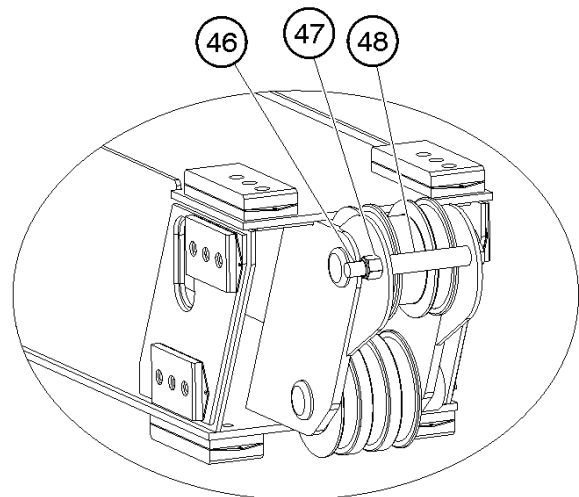
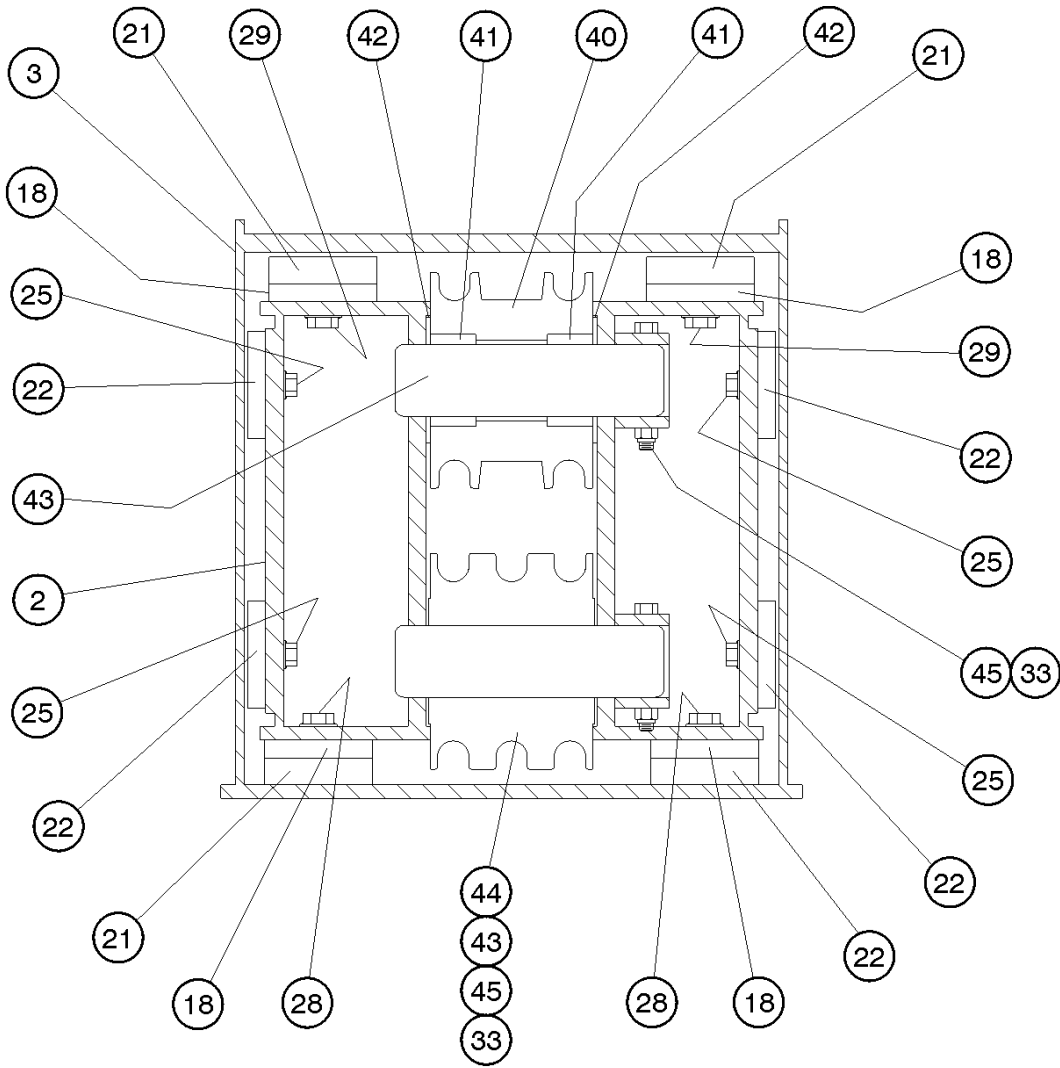
Item	Part No.	Description	Qty.
1		WELDMENT,SMALL BOOM.....1 (refer to 701.1)	1
2		ASSY,MID BOOM.....1 (refer to 701.1)	1
3		LARGE BOOM ASSEMBLY.....1 (refer to 701.1)	1
8	123185GT	PLATE,CHAIN PIVOT.....2	2
9	123184GT	PIN,2 RING GROOVE.....3	3
10	44662GT	SNAP RING,EXTERNAL,1.00 DIA.....6	6
11	123186GT	ANCHOR,EXTEND CHAIN.....2	2
12	130386GT	PIN,CHAIN ANCHOR,.313X2.625.....6	6
13	6-6243-06GT	COTTERPIN,3/32X3/4LG.....12	12
14	123187GT	SHEAVE,CHAIN.....2	2
14	130535GT	CHAIN SHEAVE ASSY,POLYGON (includes 123187 and 141309)	
--	123187GT	SHEAVE,CHAIN.....2	2
15	141309GT	BEARING,1.5 X 2.0 X 2.5.....2	2
15	5-2046-1GT	BEARING,1.50IDX2.06ODX2.56L.....2	2
17	5-2134GT	SHIM,2X7X.06.....2	2
18	5-2129GT	Spacer / 7 X 3 X .50 Thick.....8	8
19	5-2135GT	Spacer / 7 X 2 X .375 Thick.....2	2
21	5-2100-6GT	WEARPAD,7X3X.75.....14	14
--	5-2084GT	SHIM,3X7X0.60	
24	5-2133-6GT	WEARPAD,7X2X.75.....2	2
28	T106381GT	FLGHC,1/2-13X15,GR5,ZN,LOC.....24	24
30	5-2041-18GT	PIN,1.5DIA X 15.5LG,1 CROSS HOLE.....1	1
31	36603GT	WASHER,FLAT,1.56 X 3.5 X .061.....4	4
32	6605GT	SCREW,HHC,3/8-16 X 3.5,GR5.....1	1
33	4828GT	NUT,NYLOCK,3/8-16.....4	4
35	5-2040-257GT	CHAIN,BL-666 LEAF,257 LINKS.....2	2
39	5-2030GT	ROD END,CHAIN TENSIONER.....1	1
49	13775GT	WASHER,FLAT,1.063 X 2 X .134.....1	1
54	123169GT	SPRING, COMPRESSION.....1	1
60	5-2137GT	NUT,NYLOCK,1-14.....1	1

703.1 Boom Assembly, View 3



Item	Part No.	Description	Qty.
2		ASSY,MID BOOM.....1 (refer to 701.1)	
3		LARGE BOOM ASSEMBLY.....1 (refer to 701.1)	
12	130386GT	PIN,CHAIN ANCHOR,,313X2.625.....6	
13	6-6243-06GT	COTTERPIN,3/32X3/4LG.....12	
16	123168GT	CHAIN ANCHOR, BOLT ON.....1	
26	T106382GT	FLGHCS,3/8-16X1.25.GR5,ZN,LOC.....26	
34	5-2040-243GT	CHAIN,BL-666 LEAF,243 LINKS.....1	
36	123548GT	SCREW,HHC,3/4-16X1.5,GR8.....2	
37	34550GT	WASHER,LOCK,,.75 PLTD.....2	
84	5-2095GT	Forming / Bulkhead Bracket.....2	
85	29868GT	SPRING CLIP,3/8-16,,.05-.20X.73,ZAG....2	

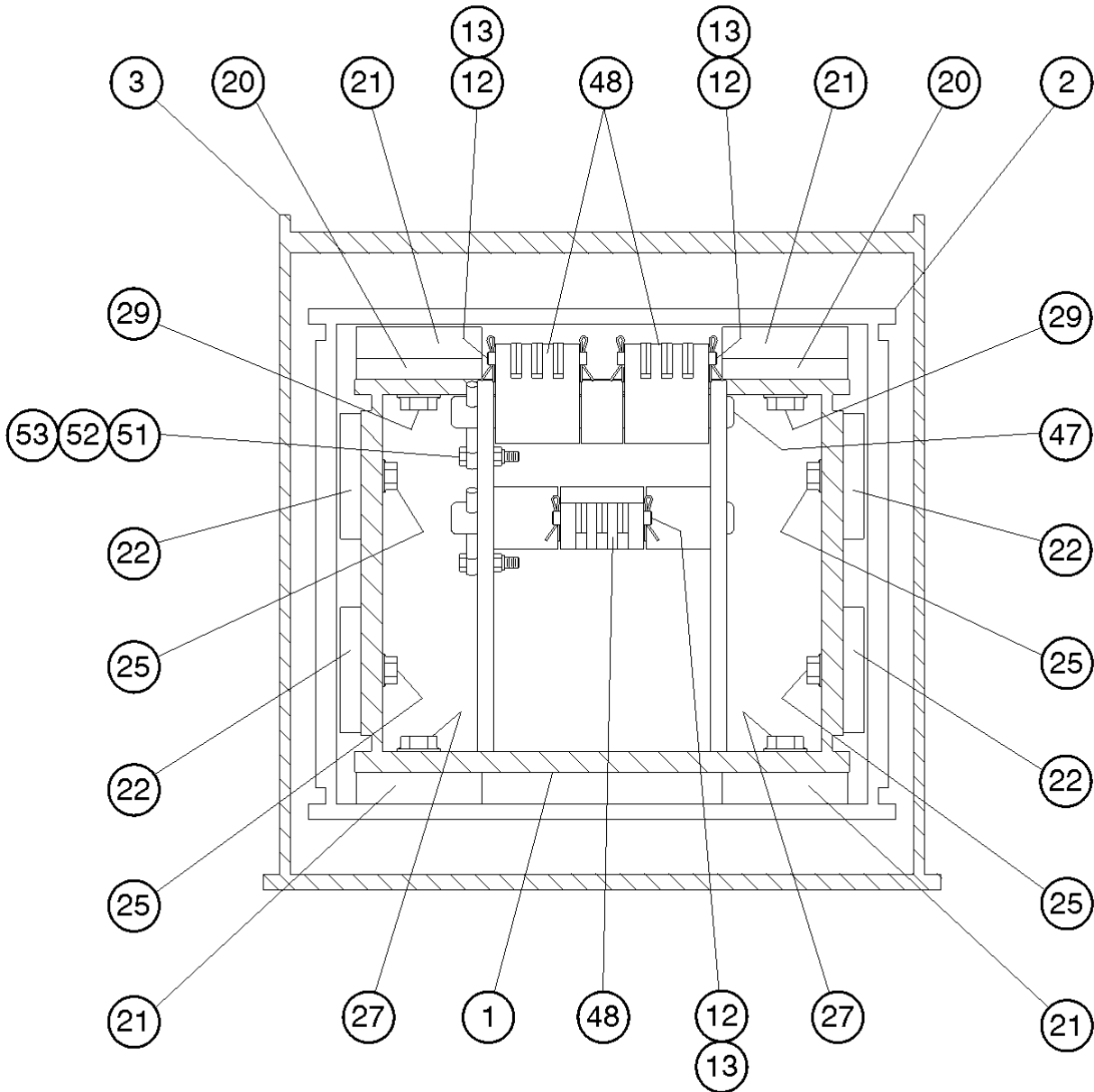
704.1 Boom Assembly, View 4



## 704.1 Boom Assembly, View 4

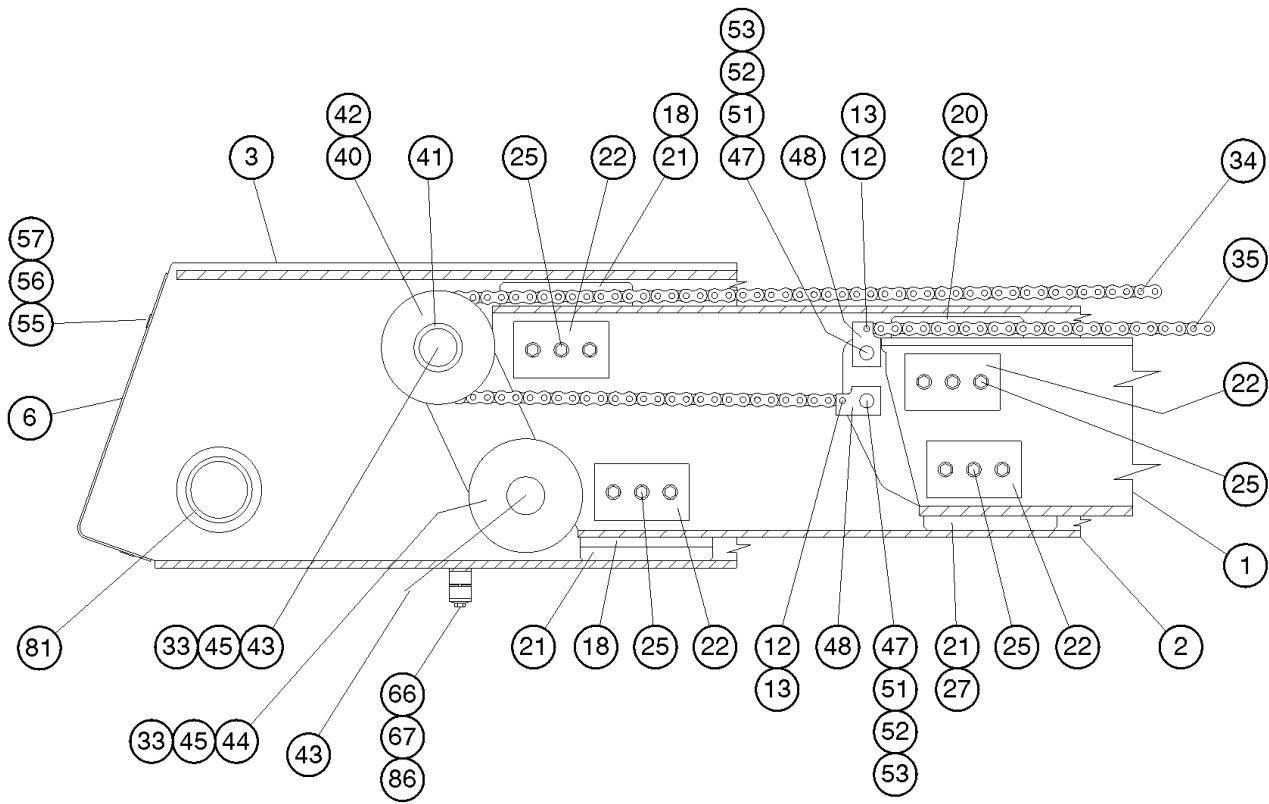
Item	Part No.	Description	Qty.
2		ASSY,MID BOOM.....1 (refer to 701.1)	
3		LARGE BOOM ASSEMBLY.....1 (refer to 701.1)	
18	5-2129GT	Spacer / 7 X 3 X .50 Thick.....8	
21	5-2100-6GT	WEARPAD,7X3X.75.....14	
--	5-2084GT	SHIM,3X7X0.60	
22	5-2101-4GT	WEARPAD,5X3X.50.....8	
25	5-2099-7GT	BOLT,FLANGE,3/8-16X.875,LT.....24	
28	T106381GT	FLGHC,1/2-13X15,GR5,ZN,LOC.....24	
29	123162GT	FLGHCS,1/2-13X1.75,GR8,BLK,PH.....18	
33	4828GT	NUT,NYLOCK,3/8-16.....4	
40	4-1074-8BGT	ROLLER ASSEMBLY.....1	
41	5-2046-3GT	BEARING,2.00IDX2.56ODX1.25L.....2	
42	18730GT	WASHER,FLAT,2.01 X 3.5 X .06.....2	
43	5-2041-2GT	PIN,2.00DIA X 7.50 LG,1 HOLE.....1	
44	5-2038GT	Sheave / Option / Hose.....Ref.	
45	21604GT	SCREW,HHC,3/8-16 X 3.25.....1	
46	108713GT	SCREW,HHC,3/4-10X7,GR5,Y.....1	
47	77051GT	NUT,NYLOCK,3/4-10,GRD.8.....1	
48	123277GT	TUBE,HOSE GUARD SLEEVE.....1	

705.1 Boom Assembly, View 5



Item	Part No.	Description	Qty.
1		WELDMENT,SMALL BOOM.....1 (refer to 701.1)	1
2		ASSY,MID BOOM.....1 (refer to 701.1)	1
3		LARGE BOOM ASSEMBLY.....1 (refer to 701.1)	1
12	130386GT	PIN,CHAIN ANCHOR,.313X2.625.....6	6
13	6-6243-06GT	COTTERPIN,3/32X3/4LG.....12	12
20	5-2138GT	SPACER,7X3X.375.....2	2
21	5-2100-6GT	WEARPAD,7X3X.75.....14	14
--	5-2084GT	SHIM,3X7X0.60	
22	5-2101-4GT	WEARPAD,5X3X.50.....8	8
25	5-2099-7GT	BOLT,FLANGE,3/8-16X.875,LT.....24	24
27	T106383GT	FLGHCS,1/2-13X1,GR5,ZN,LOC.....6	6
29	123162GT	FLGHCS,1/2-13X1.75,GR8,BLK,PH.....18	18
47	5-2041-19GT	PIN,.75X6.75.....2	2
48	123174GT	ANCHOR,CHAIN.....3	3
51	45748GT	ROD END,250 X 2.75 LG.....2	2
52	8915GT	SCREW,HHC,1/4-20 X 1.25.....6	6
53	6091GT	NUT,NYLOCK,1/4-20.....6	6

706.1 Boom Assembly, View 6

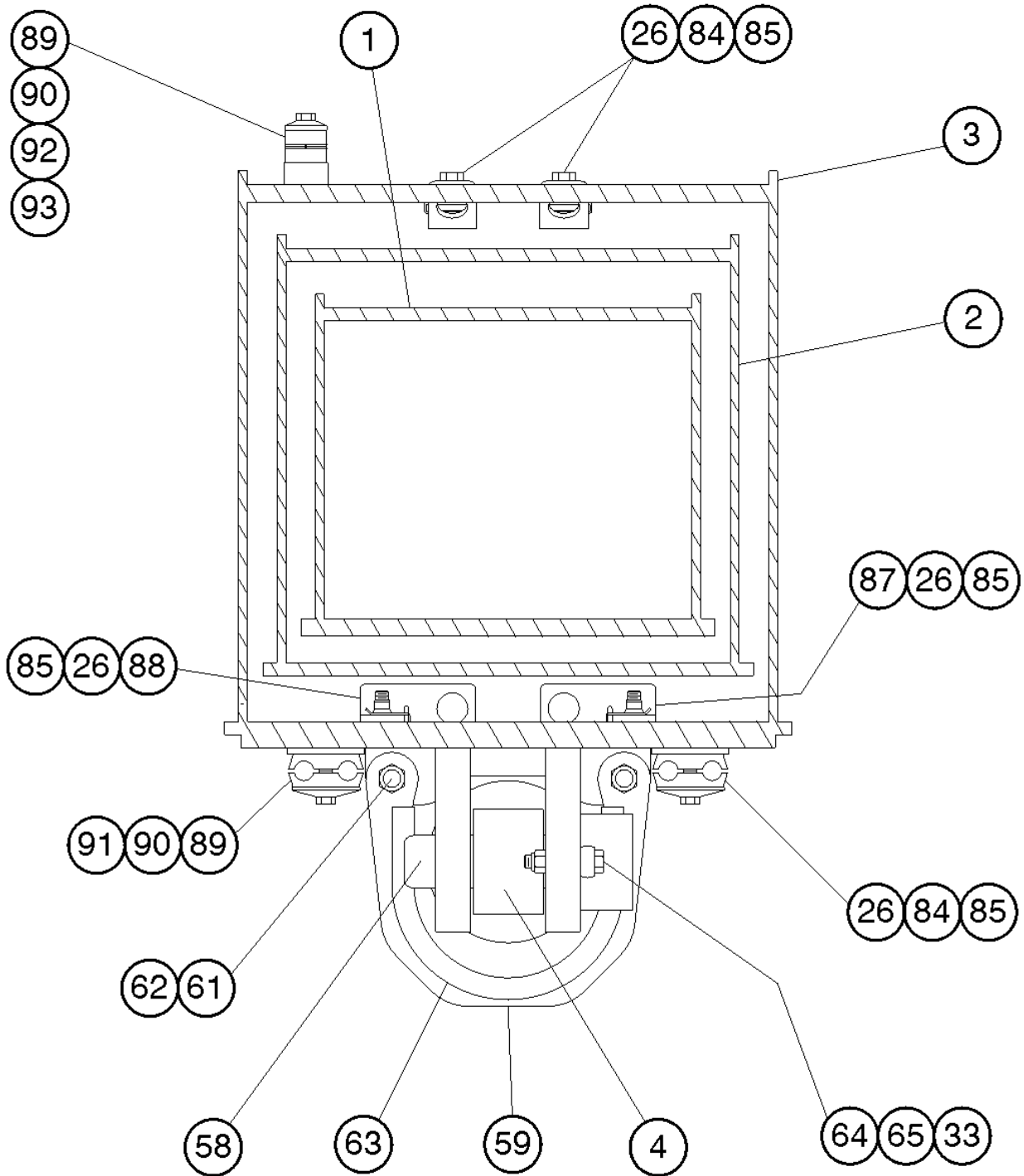




## 706.1 Boom Assembly, View 6

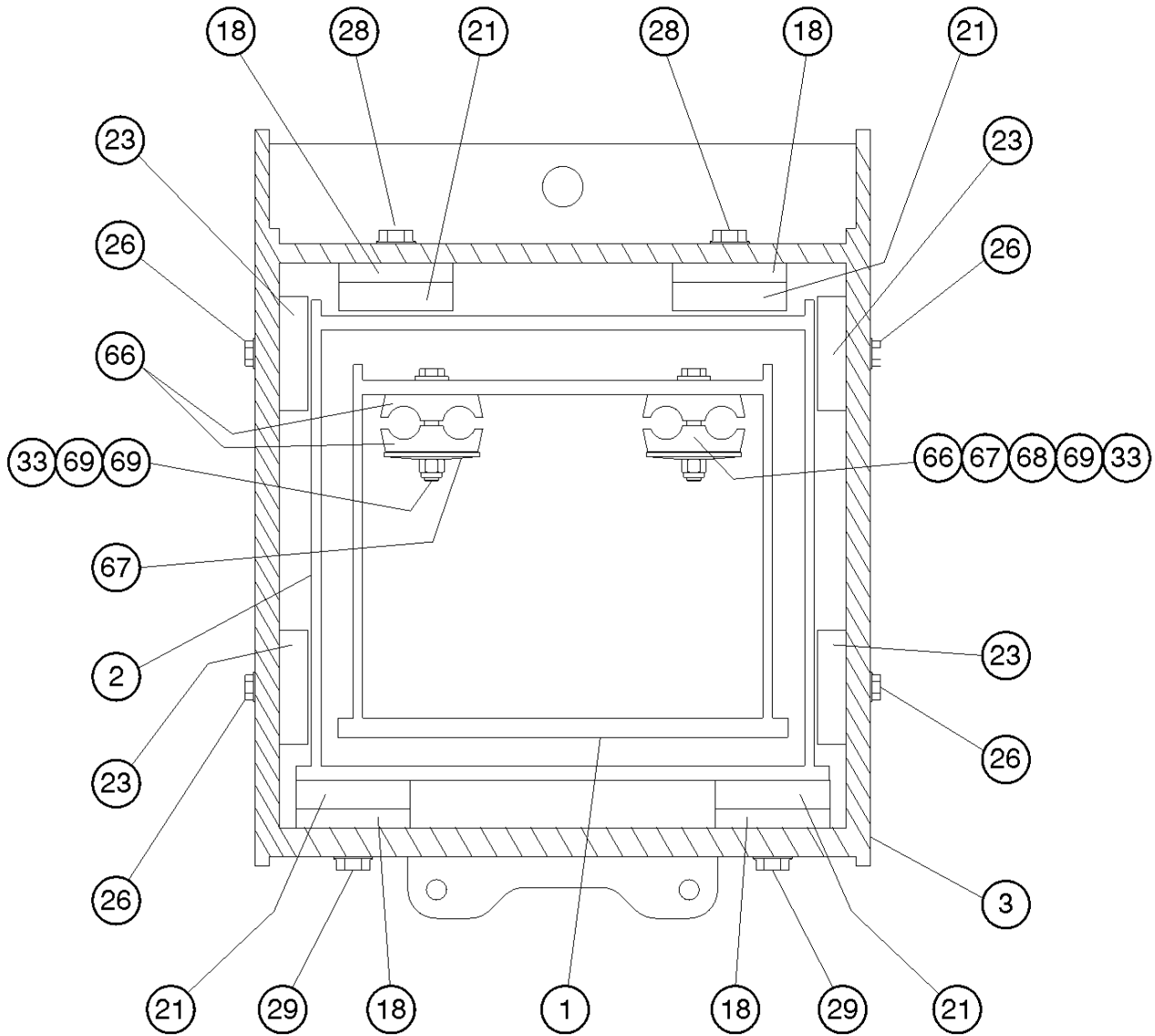
Item	Part No.	Description	Qty.
1		WELDMENT,SMALL BOOM.....1 (refer to 701.1)	1
2		ASSY,MID BOOM.....1 (refer to 701.1)	1
3		LARGE BOOM ASSEMBLY.....1 (refer to 701.1)	1
6	5-2032GT	Cover / Rear.....1	1
12	130386GT	PIN,CHAIN ANCHOR,.313X2.625.....6	6
13	6-6243-06GT	COTTERPIN,3/32X3/4LG.....12	12
18	5-2129GT	Spacer / 7 X 3 X .50 Thick.....8	8
20	5-2138GT	SPACER,7X3X.375.....2	2
21	5-2100-6GT	WEARPAD,7X3X.75.....14	14
--	5-2084GT	SHIM,3X7X0.60	
22	5-2101-4GT	WEARPAD,5X3X.50.....8	8
25	5-2099-7GT	BOLT,FLANGE,3/8-16X.875,LT.....24	24
27	T106383GT	FLGHCS,1/2-13X1,GR5,ZN,LOC.....6	6
33	4828GT	NUT,NYLOCK,3/8-16.....4	4
34	5-2040-243GT	CHAIN,BL-666 LEAF,243 LINKS.....1	1
35	5-2040-257GT	CHAIN,BL-666 LEAF,257 LINKS.....2	2
40	4-1074-8BGT	ROLLER ASSEMBLY.....1	1
41	5-2046-3GT	BEARING,2.00IDX2.56ODX1.25L.....2	2
42	18730GT	WASHER,FLAT,2.01 X 3.5 X .06.....2	2
43	5-2041-2GT	PIN,2.00DIA X 7.50 LG,1 HOLE.....1	1
44	5-2038GT	Sheave / Option / Hose.....Ref.	
45	21604GT	SCREW,HHC,3/8-16 X 3.25.....1	1
47	5-2041-19GT	PIN,.75X6.75.....2	2
48	123174GT	ANCHOR,CHAIN.....3	3
51	45748GT	ROD END,.250 X 2.75 LG.....2	2
52	8915GT	SCREW,HHC,1/4-20 X 1.25.....6	6
53	6091GT	NUT,NYLOCK,1/4-20.....6	6
55	6090GT	SCREW,HHC,1/4-20 X .75.....4	4
56	6638GT	WASHER,FLAT,USS,1/4"Y.....8	8
57	56912GT	SPRING CLIP,1/4-20,.025-.15X.54,ZAG.....4	4
66	7-273-32GT	CLAMP HALVES,TWIN,7/8" TUBE.....3	3
67	123177GT	CLAMP CVR PLATE,TWIN,GRP 3.....3	3
81	5-2046-4GT	BEARING,3.00IDX3.50ODX2.00L.....4	4
86	50793GT	SCREW,HHC,5/16-18 X 2.....2	2

707.1 Boom Assembly, View 7



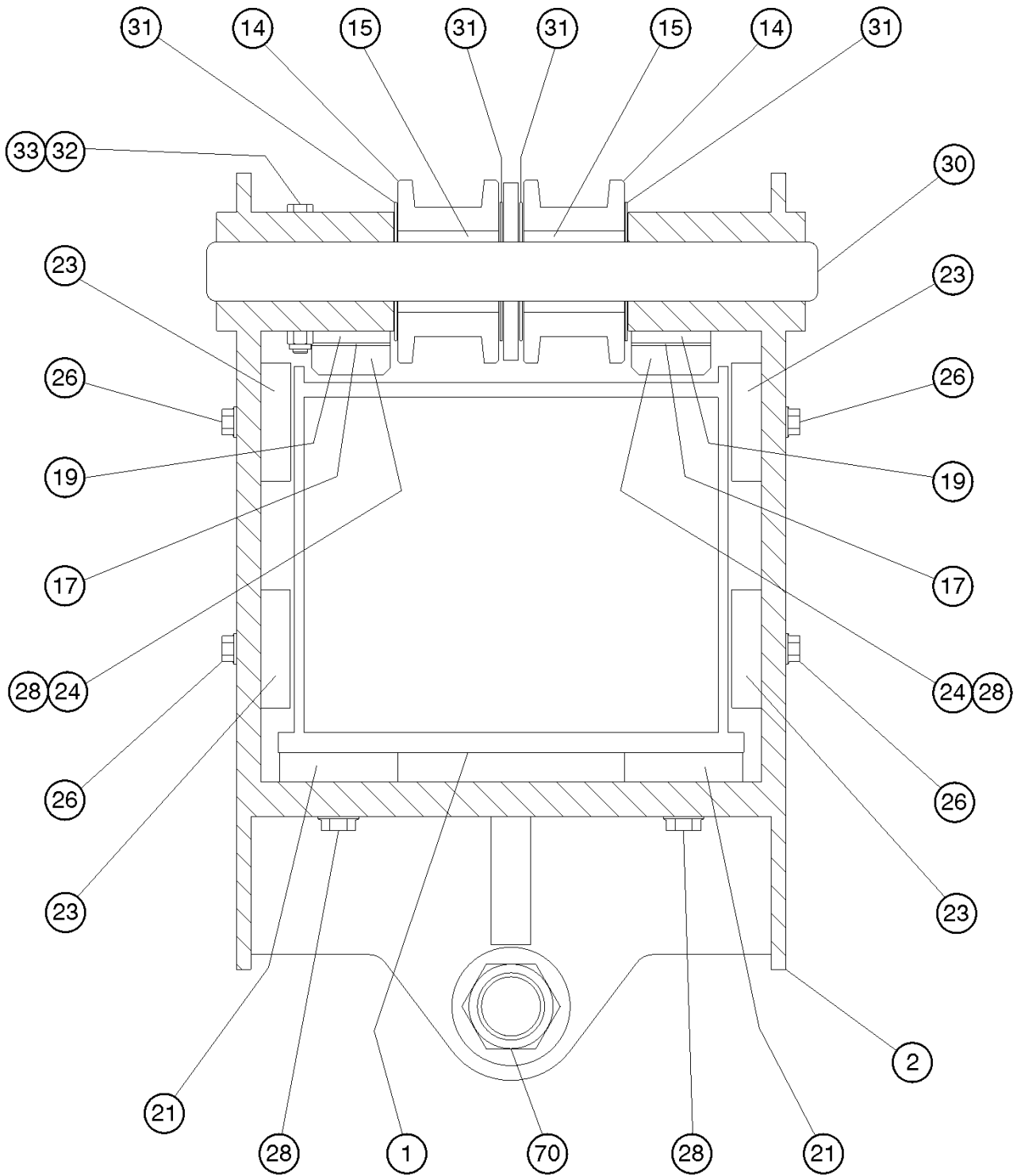
Item	Part No.	Description	Qty.
1		WELDMENT,SMALL BOOM.....1 (refer to 701.1)	
2		ASSY,MID BOOM.....1 (refer to 701.1)	
3		LARGE BOOM ASSY.....1 (refer to 701.1)	
4		CYLINDER,BOOM EXT,GTH844,644.....1 (refer to 805.1)	
26	T106382GT	FLGHCS,3/8-16X1.25.GR5,ZN,LOC.....26	
33	4828GT	NUT,NYLOCK,3/8-16.....4	
58	5-2041-1GT	PIN,1.50DIA X 5.75LG,1 HOLE.....1	
59	5-2039GT	Retainer / Extend Cylinder.....1	
61	22788GT	SCREW,HHC,1/2-13 X 1.75.....2	
62	6198GT	NUT,NYLOCK,1/2-13.....5	
63	7-277-01GT	TRIM,BLACK,1/2".....12	
64	825019GT	ROD END,.375X3.69,ZAG.....1	
65	5224GT	SCREW,HHC,3/8-16 X 2.....1	
84	5-2095GT	Forming / Bulkhead Bracket.....2	
85	29868GT	SPRING CLIP,3/8-16,.05-.20X.73,ZAG...2	
87	5-2096GT	Forming / Hardline Bracket.....Ref.	
88	5-2136GT	Forming / Hardline Bracket.....Ref.	
89	123192GT	CLAMP HALVES,TWIN,5/8" TUBE.....6	
90	123176GT	PLATE, TOP.....6	
91	13000GT	SCREW,HHC,5/16-18 X 1.25.....5	
92	14723GT	SCREW,HHC,5/16-18 X 1.75.....1	
93	36456GT	SPRING CLIP,5/16-18,.025-.15X.....1	

708.1 Boom Assembly, View 8



Item	Part No.	Description	Qty.
1		WELDMENT,SMALL BOOM.....1 (refer to 701.1)	1
2		ASSY,MID BOOM.....1 (refer to 701.1)	1
3		LARGE BOOM ASSEMBLY.....1 (refer to 701.1)	1
18	5-2129GT	Spacer / 7 X 3 X .50 Thick.....8	8
21	5-2100-6GT	WEARPAD,7X3X.75.....14	14
--	5-2084GT	SHIM,3X7X0.60	
23	5-2132-6GT	WEARPAD,7X3X.75.....8	8
26	T106382GT	FLGHCS,3/8-16X1.25.GR5,ZN,LOC.....26	26
28	T106381GT	FLGHC,1/2-13X15,GR5,ZN,LOC.....24	24
29	123162GT	FLGHCS,1/2-13X1.75,GR8,BLK,PH.....18	18
33	4828GT	NUT,NYLOCK,3/8-16.....4	4
66	7-273-32GT	CLAMP HALVES,TWIN,7/8" TUBE.....3	3
67	123177GT	CLAMP CVR PLATE,TWIN,GRP 3.....3	3
68	14033GT	SCREW,HHC,3/8-16 X 2.75.....1	1
69	6097GT	WASHER,FLAT,USS,3/8",Y.....1	1

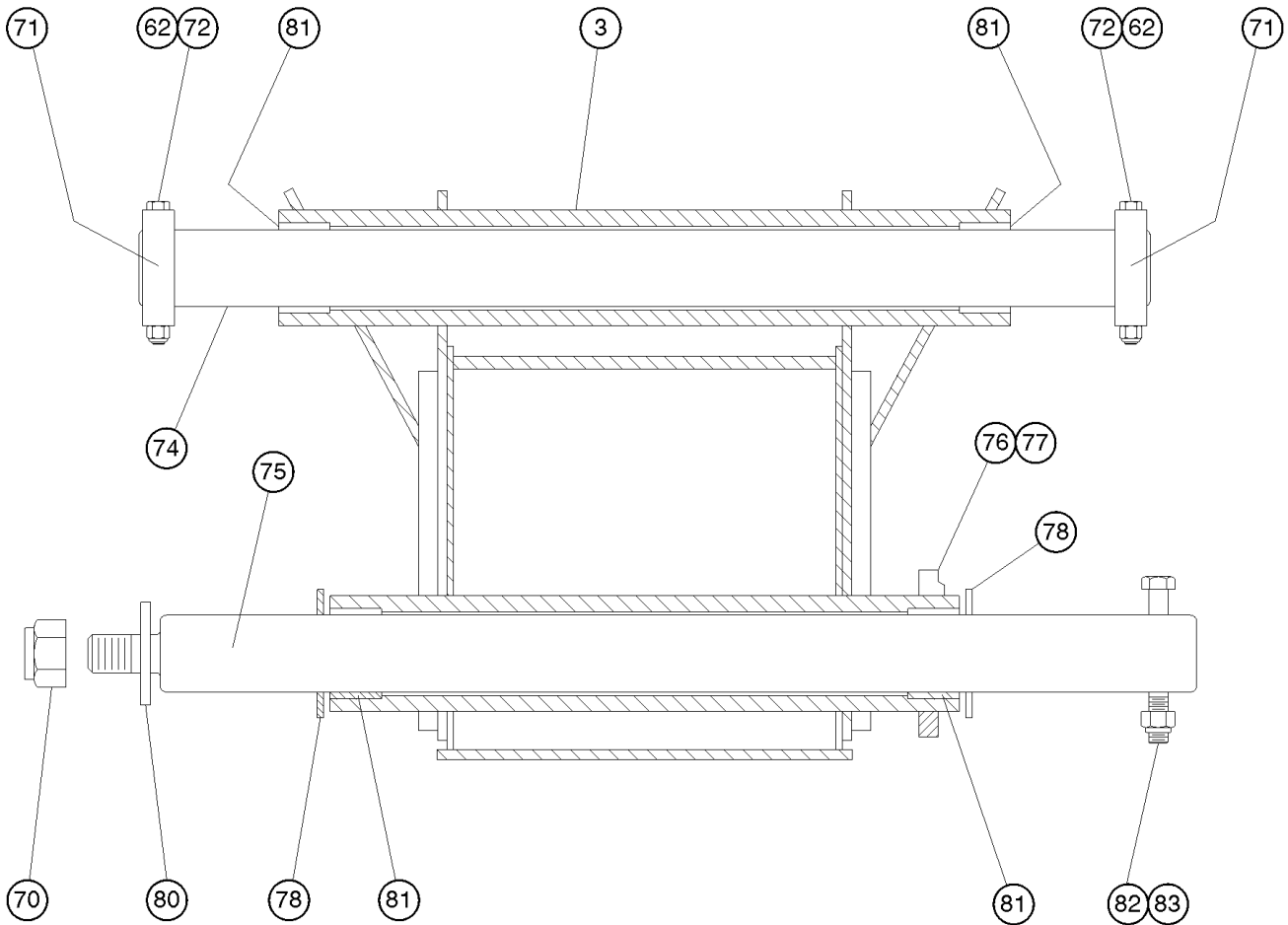
709.1 Boom Assembly, View 9



## 709.1 Boom Assembly, View 9

Item	Part No.	Description	Qty.
1		WELDMENT,SMALL BOOM.....1 (refer to 701.1)	1
2		ASSY,MID BOOM.....1 (refer to 701.1)	1
3		LARGE BOOM ASSEMBLY.....1 (refer to 701.1)	1
14	130535GT	CHAIN SHEAVE ASSY,POLYGON (includes items 123187 and 141309)	
--	123187GT	SHEAVE,CHAIN.....2	2
15	141309GT	BEARING,1.5 X 2.0 X 2.5.....2	2
17	5-2134GT	SHIM,2X7X.06.....2	2
19	5-2135GT	Spacer / 7 X 2 X .375 Thick.....2	2
21	5-2100-6GT	WEARPAD,7X3X.75.....14	14
--	5-2084GT	SHIM,3X7X0.60	
23	5-2132-6GT	WEARPAD,7X3X.75.....8	8
24	5-2133-6GT	WEARPAD,7X2X.75.....2	2
26	T106382GT	FLGHCS,3/8-16X1.25.GR5,ZN,LOC.....26	26
28	T106381GT	FLGHC,1/2-13X15,GR5,ZN,LOC.....24	24
29	123162GT	FLGHCS,1/2-13X1.75,GR8,BLK,PH.....18	18
30	5-2041-18GT	PIN,1.5DIAX15.5LG,1 CROSS HOLE.....1	1
31	36603GT	WASHER,FLAT,1.56 X 3.5 X .061.....4	4
32	6605GT	SCREW,HHC,3/8-16 X 3.5,GR5.....1	1
33	4828GT	NUT,NYLOCK,3/8-16.....4	4
70	6-6206-24GT	NUT,NYLOCK, 1 1/2.....2	2

710.1 Boom Assembly, View 10

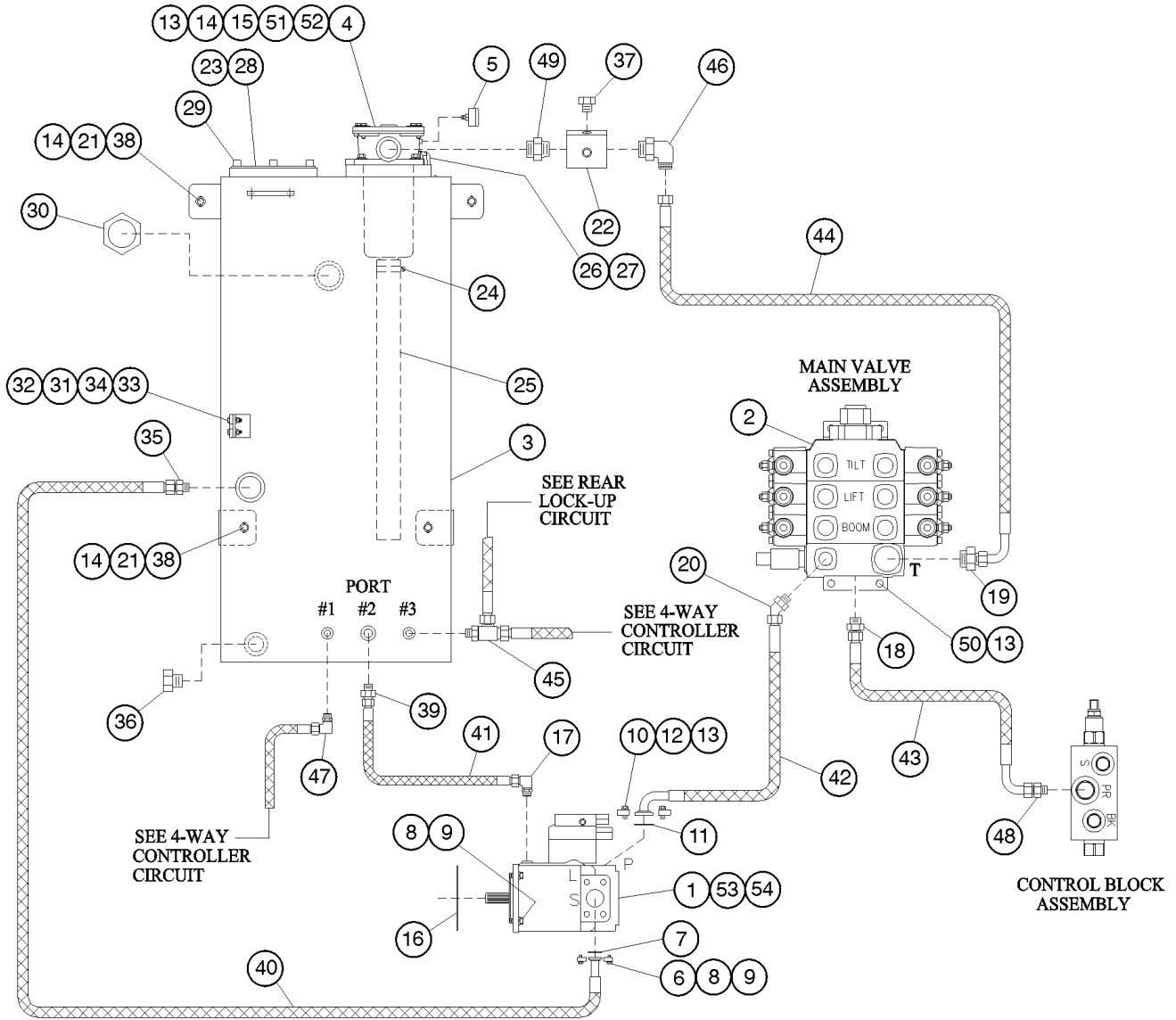




## 710.1 Boom Assembly, View 10

Item	Part No.	Description	Qty.
3		LARGE BOOM ASSEMBLY.....1 (refer to 701.1)	
62	6198GT	NUT,NYLOCK,1/2-13.....5	
70	6-6206-24GT	NUT,NYLOCK, 1 1/2.....2	
71	6-2524-10GT	COLLAR.....2	
72	22786GT	SCREW,HHC,1/2-13 X 5.5.....2	
74	5-2042-1GT	PIN,TWO CROSS DRILLED HOLE.....1	
75	5-2044GT	Pin / Chassis To Boom Main Pivot.....1	
76	108667GT	WELDMENT,SWITCH ACTIVATOR ****.....1	
--	7-101-04GT	SWITCH,SNAP ACTION	
77	6-6275-04GT	SCREW,SET,3/8-16X.75.....3	
78	6-6600-14GT	THRUST WASHER, 5.00X3.00X.250.....2	
80	1-1306GT	STEEL WASHER.....1	
81	5-2046-4GT	BEARING,3.00IDX3.50ODX2.00L.....4	
82	38509GT	SCREW,HHC,3/4-10 X 6.....1	
83	10258GT	NUT,NYLOCK,3/4-10,GRD.2.....1	

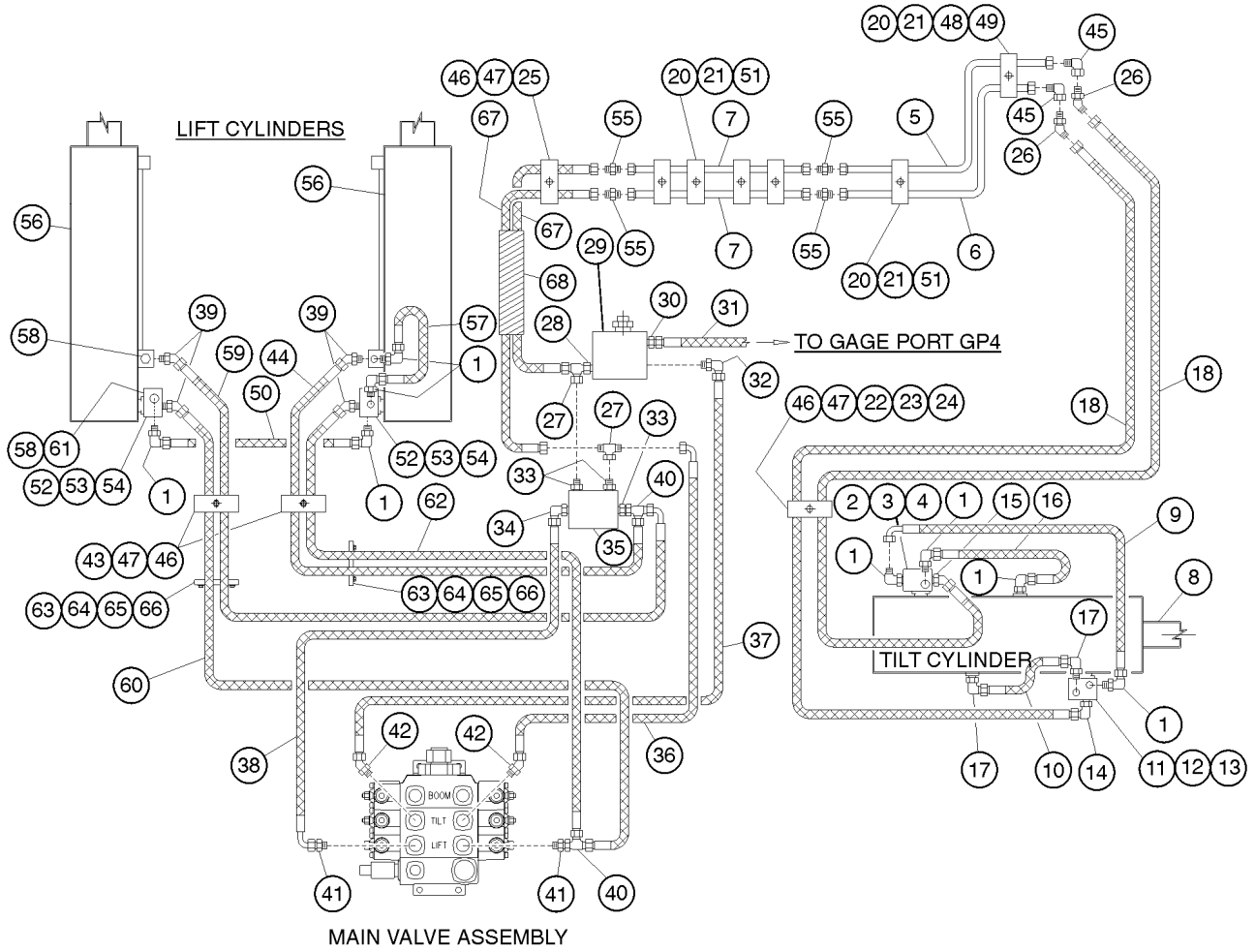
801.1 Circuit, Pump, Oil Reservoir



## 801.1 Circuit,Pump, Oil Reservoir

Item	Part No.	Description	Qty.	Item	Part No.	Description	Qty.
1A		PUMP ASSEMBLY,55CC REXROTH <i>(was 7-345-113, refer to 1B) (7-345-113 replaced 7-112-05)</i>		27	49816GT	SCREW,PHILLIPS,PHM,10-32 X .75.....6	
--	7-112-63GT	SEAL KIT / PUMP OVERHAUL <i>(seal kit for 7-112-05)</i>		28	231163GT	PLATE, INSPECTION COVER	
--	7-126-517GT	GASKET,PUMP,DRIVE <i>(for 7-345-113)</i>		29	6-5606-04GT	SOCKET HEAD CAPSCREW	
--	7-345-172GT	GASKET,COMPENSATOR <i>(for 7-345-113)</i>		30	7-161-01GT	SIGHT GAUGE.....1	
--	7-345-173GT	COMPENSATOR,REXROTH PUMP <i>(for 7-345-113)</i>		31	231152GT	PLATE, PROT CHECK, 4 HOLE	
--	7-345-48GT	SEAL KIT <i>(for 7-345-113)</i>		32	6-5204-06GT	SCREW,HHC,1/4-20X.75,GR8.....2	
1B	229053GT	PUMP ASSEMBLY,SAUER 8K <i>(may be used as a direct replacement for 7-345-113)</i>		33	6-6201-04GT	NUT,HEX,1/4-20.....2	
--	7-112-63GT	SEAL KIT / PUMP OVERHAUL		34	6356GT	WASHER,LOCK,.25.....2	
2		Ref. VALVE, DIRECTIONAL <i>(refer to 716.1)</i>		35	7-364-22GT	FITTING/24 OR X 24 JIC O STR.....1	
3	123131GT	WELDMENT,OIL RES,644/8XX.....1		36	6-6457-10GT	FITTING,16 OR HEX HEAD PLUG.....1	
4	117044GT	RETURN FILTER ASSEMBLY		37	6-6457-06GT	FITTING.....1	
5	117567GT	GAUGE,RETURN FILTER		38	29868GT	SPRING CLIP,3/8-16,.05-.20X.73,ZAG...4	
6	123153GT	SPLIT FLANGE KIT, 2 IN.....1		39	6-6450-12GT	FITTING,08 OR X 08 JIC STR.....1	
7	7-209-66GT	O-RING <i>includes item 6</i>		40	7-191-02GT	HOSE,24X32-STSF111".....1	
8	54177GT	SCREW,HHC,1/2-13 X 1.5 GRD 8		41	6-7004-256GT	HOSE,08X08X128LG.....1	
9	6033GT	WASHER,LOCK,0.5".....Ref.		42	6-7156-234GT	HOSE,12X16-90X117LG.....1	
10	123565GT	O-RING FLANGE.....2		43	6-7025-36GT	HOSE,10X10-90X18".....1	
11	123576GT	O-RING.....1		44	6-7088-43GT	HOSE,10X10-90X21.50".....1	
12	123559GT	SCREW,HHC,3/8-16X1.25GR8.....4		45	6-6455-05GT	FITTING,06 OR X 06 JIC RN-TEE	
13	6021GT	WASHER,LOCK,.375.....12		46	6-6453-25GT	FITTING,20 OR X 16 JIC 90.....1	
14	19934GT	WASHER,3/8 HARD.STEEL-FLAT,USS.....8		47	6-6453-04GT	FITTING,06 OR X 04 JIC 90	
15	77692GT	SCREW,HHC,3/8-16 X 1 GRD 8.....4		48	6-6450-15GT	FITTING,08 OR X 10 JIC STR.....1	
16	7-126-517GT	GASKET,PUMP,DRIVE		49	6-6436-01GT	FITTING,20 OR X 20 NPT, STR.....1	
17	6-6453-10GT	FITTING,10 OR X 08 JIC 90.....1		50	94195GT	SCREW,HHC,3/8-16 X .75,GR 8.....4	
18	6-6450-17GT	FITTING,12 OR X 10 JIC STR.....1		51	7-118-03GT	O-RING	
19	6-6450-27GT	FITTING,16 OR X 16 JIC STR.....1		52	117043GT	ELEMENT,RETURN FILTER***	
20	6-6452-08GT	FITTING,12 OR X 12 JIC 45.....1		53	108476GT	HARNESS,COLD START,SAUER,TH.....1	
21	77692GT	SCREW,HHC,3/8-16 X 1 GRD 8.....4		54	7-269-43GT	SHRINK TUBING,1/4 ID.....4	
22	3-1376GT	MANIFOLD.....1					
23	138083GT	GASKET HYDR.RESEVOIR 6&8K					
24	7-272-13GT	CLAMP,T-HOSE,2 1/8 IN NOM.....1					
25	61100-2400GT	HOSE ASSY.....1					
26A	123148GT	BREATHER,FILLER,3 PSI.....1 <i>includes cap, casting under cap and gasket</i>					
26B	1270119GT	BREATHER-FILLER,1.5" NECK,3PSI.....1 <i>includes cap, filter, gasket and screws</i>					

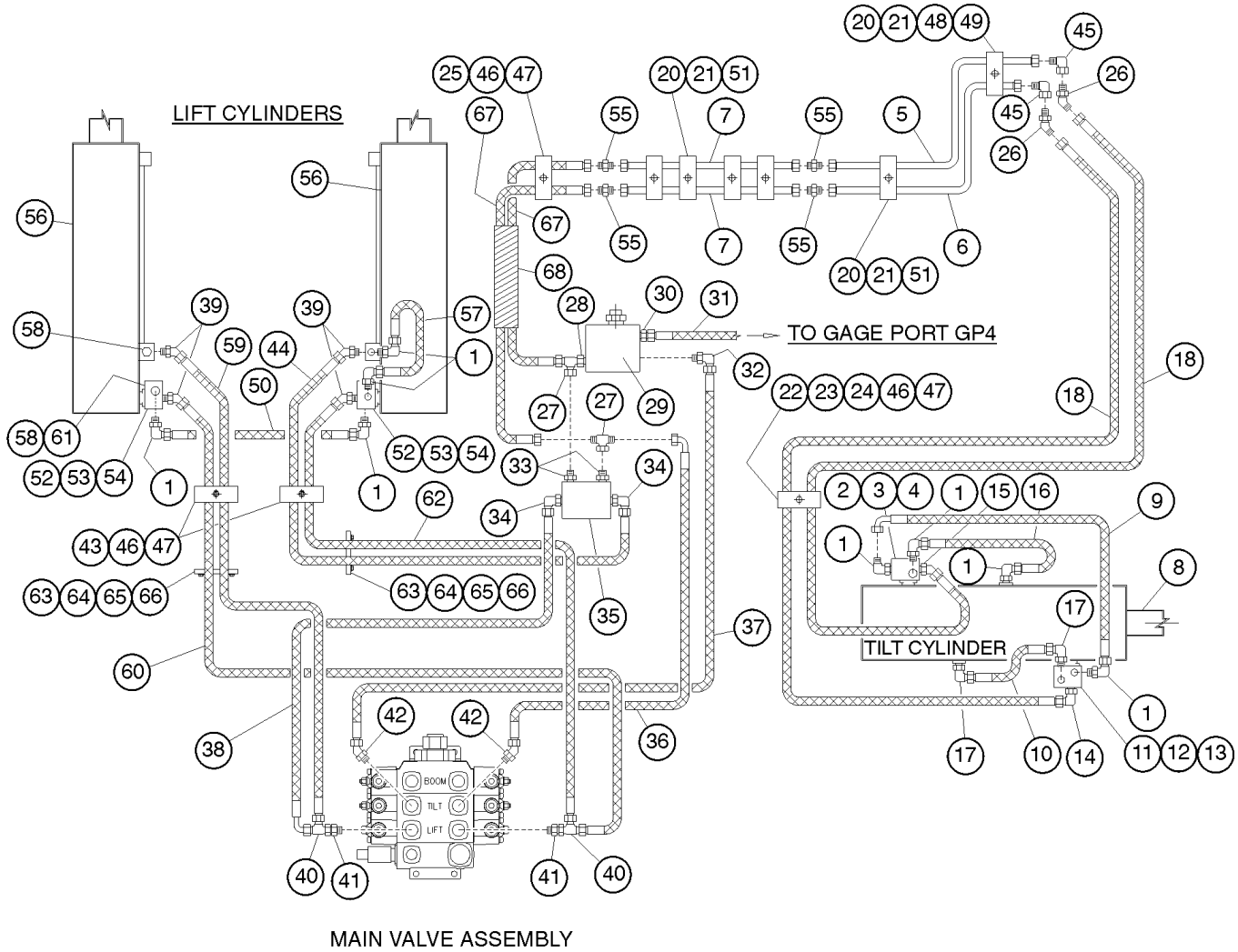
802.1 Circuit, Lift-Tilt, GTH-844



## 802.1 Circuit, Lift-Tilt, GTH-844

Item	Part No.	Description	Qty.	Item	Part No.	Description	Qty.
1	6-6453-04GT	FITTING,06 OR X 04 JIC 90.....	8	44	6-7005-188GT	HOSE,10X10X94LG.....	1
2	7-234-02GT	VALVE,MOTION.....	Ref.	45	5-2140GT	Fitting / 10 JIC Swivel 90.....	2
3	6-5606-14GT	SCREW,SHC,3/8-16 X 1.75.....	4	46	123177GT	CLAMP CVR PLATE,TWIN,GRP 3.....	4
4	6-6214-06GT	WASHER,LOCK,HI COLLAR,,375.....	4	47	7-273-32GT	CLAMP HALVES,TWIN,7/8" TUBE.....	4
5	108561GT	TUBE ASSY,STD,INNER,TH.....	1	48	14723GT	SCREW,HHC,5/16-18 X 1.75.....	1
6	108562GT	TUBE ASSY,STD,OUTER,TH.....	1	49	36456GT	SPRING CLIP,5/16-18,,025-.15X.....	1
7	108558GT	TUBE ASSY,STRAIGHT,TH.....	2	50	6-7002-100GT	HOSE,04X04X50LG.....	1
8	T110958GT	CYLINDER,TILT, GTH8XX,GTH644....	Ref. (refer to 903.1)	51	13000GT	SCREW,HHC,5/16-18 X 1.25.....	15
--	7-990-22GT	SEAL KIT (T110958)		52	7-234-54GT	VALVE, MOTION.....	Ref.
9	6-7022-60GT	HOSE,04X04-90X30LG.....	1	53	6-5606-22GT	SCREW,SHC,3/8-16 X 2.75.....	8
10	6-7003-40GT	HOSE,06X06X20LG.....	1	54	6-6214-06GT	WASHER,LOCK,HI COLLAR,,375.....	8
11	7-234-01GT	VALVE,MOTION.....	Ref.	55	5-2139GT	Fitting / 10 JIC M. X 10 JIC M. Str.....	4
12	6-5606-22GT	SCREW,SHC,3/8-16 X 2.75.....	4	56		CYLINDER,LIFT TH844.....	Ref. (refer to 901.1)
13	6-6214-06GT	WASHER,LOCK,HI COLLAR,,375.....	4	57	6-7002-17GT	HOSE,04X04X8 1/2LG.....	1
14	6-6453-09GT	FITTING,08 OR X 08 JIC 90.....	1	58	6-6457-05GT	FITTING,06 OR,HEX HEAD PLUG.....	3
15	6-6452-04GT	FITTING,08 OR X 08 JIC 45.....	1	59	6-7005-200GT	HOSE,10X10X100LG.....	1
16	6-7002-26GT	HOSE,4X4X13".....	1	60	6-7005-180GT	HOSE,10X10X90LG.....	1
17	123670GT	FITTING,06 OR X 06 JIC 90.....	2	61	6-6457-03GT	FITTING,04 OR OR HEX HEAD PLUG.....	Ref.
18	6-7014-768GT	HOSE,10X8X384LG.....	1	62	6-7005-172GT	HOSE,10X10X86LG.....	1
20	123192GT	CLAMP HALVES,TWIN,5/8" TUBE.....	6	63	108576GT	FORMING,HOSE GUIDE.....	2
21	123176GT	PLATE, TOP.....	6	64	6-5204-06GT	SCREW,HHC,1/4-20X.75,GR8.....	4
22	14033GT	SCREW,HHC,3/8-16 X 2.75.....	1	65	6-6212-04GT	WASHER,FLAT,,250, HARDENED.....	4
23	4828GT	NUT,NYLOCK,3/8-16.....	1	66	56912GT	SPRING CLIP,1/4-20,,025-.15X.54,ZAG.....	4
24	6097GT	WASHER,FLAT,USS,3/8",Y.....	1	67	6-7005-120GT	HOSE,10X10X60LG.....	2
25	50793GT	SCREW,HHC,5/16-18 X 2.....	1	68	123838GT	COIL,PROTECTIVE,PLASTIC.....	12
26	6-6476-07GT	#10,45DEG BULKHEAD.....	2				
27	6-6480-07GT	FITTING,10 JIC,SW-BR-TEE.....	2				
28	6-6485-03GT	FITTING,10 OR X 10 JIC, SWIV.....	1				
29	7-234-50GT	VALVE.....	Ref.				
30	6-6450-05GT	CONNECTOR,070120-4-6.....	Ref.				
31	6-7022-30GT	HOSE,4X4-90X15".....	Ref.				
32	6-6453-12GT	FITTING,10 OR X 10 JIC 90.....	1				
33	6-6450-15GT	FITTING,08 OR X 10 JIC STR.....	3				
34	6-6453-11GT	FITTING,08 OR X 10 JIC 90.....	1				
35	7-234-04GT	VALVE,DUAL CHECK.....	Ref.				
36	6-7025-36GT	HOSE,10X10-90X18".....	1				
37	6-7005-32GT	HOSE,10X10X16".....	1				
38	6-7025-36GT	HOSE,10X10-90X18".....	1				
39	6-6452-06GT	FITTING,10 OR X 10 JIC 45.....	4				
40	6-6481-07GT	FITTING,10 JIC, SW-RUN-TEE.....	2				
41	6-6450-17GT	FITTING,12 OR X 10 JIC STR.....	2				
42	6-6452-17GT	FITTING,12 OR X 10 JIC 45.....	2				
43	6-5205-16GT	SCREW,HHC,5/16-18 X 2.00,GR8.....	2				

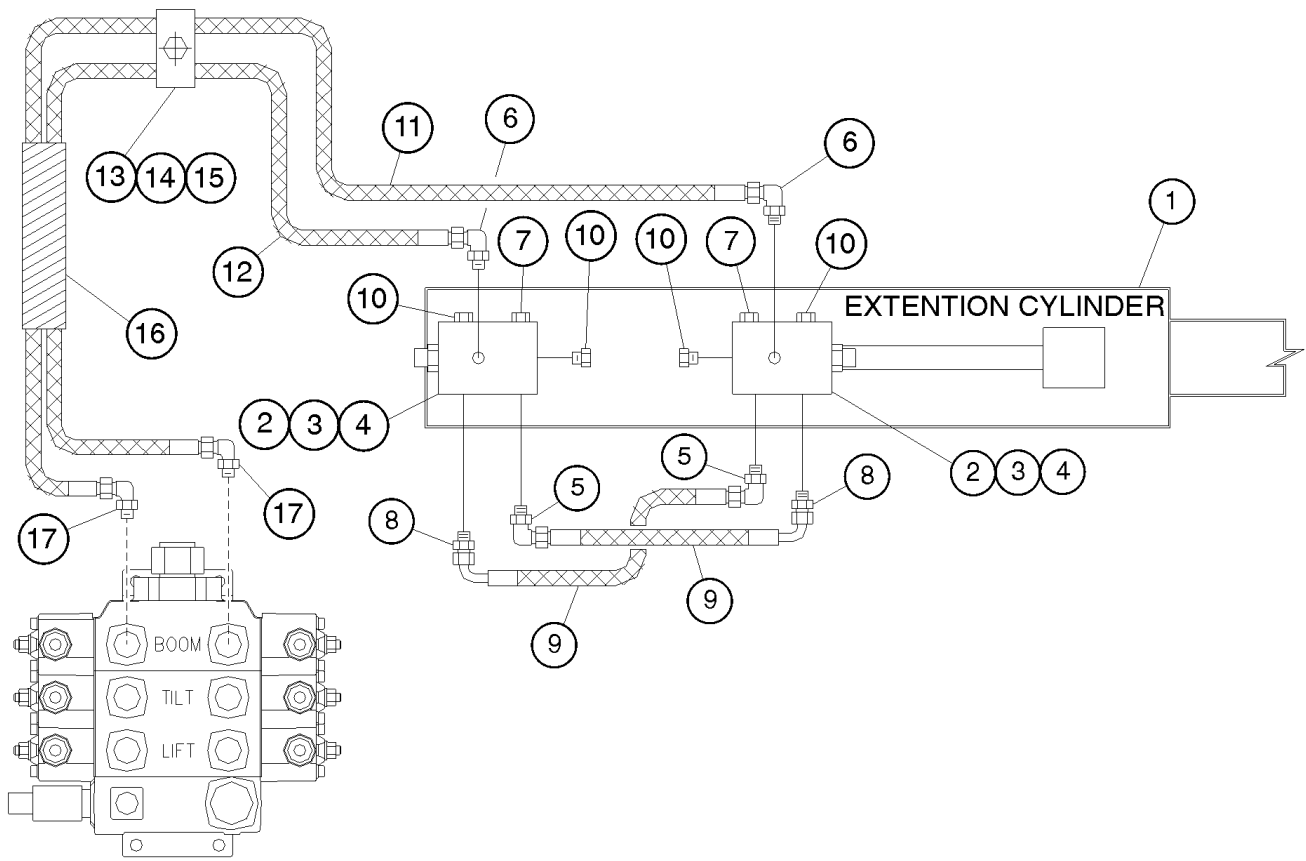
803.1 Circuit, Lift-Tilt, GTH-644



## 803.1 Circuit, Lift-Tilt, GTH-644

Item	Part No.	Description	Qty.	Item	Part No.	Description	Qty.
1	6-6453-04GT	FITTING,06 OR X 04 JIC 90.....	8	45	5-2140GT	Fitting / 10 JIC Swivel 90.....	2
2	7-234-02GT	VALVE,MOTION.....	Ref.	46	123177GT	CLAMP CVR PLATE,TWIN,GRP 3.....	4
3	6-5606-14GT	SCREW,SHC,3/8-16 X 1.75.....	4	47	7-273-32GT	CLAMP HALVES,TWIN,7/8" TUBE.....	4
4	6-6214-06GT	WASHER,LOCK,HI COLLAR,,375.....	4	48	14723GT	SCREW,HHC,5/16-18 X 1.75.....	1
5	108561GT	TUBE ASSY,STD,INNER,TH.....	1	49	36456GT	SPRING CLIP,5/16-18,,025-.15X.....	1
6	108562GT	TUBE ASSY,STD,OUTER,TH.....	1	50	6-7002-100GT	HOSE,04X04X50LG.....	1
7	108558GT	TUBE ASSY,STRAIGHT,TH.....	2	51	13000GT	SCREW,HHC,5/16-18 X 1.25	
8		CYLINDER,TILT GTH-644.....	Ref. (refer to 903.1)	52	7-234-54GT	VALVE, MOTION.....	Ref.
9	6-7022-60GT	HOSE,04X04-90X30LG.....	1	53	6-5606-22GT	SCREW,SHC,3/8-16 X 2.75.....	8
10	6-7003-40GT	HOSE,06X06X20LG.....	1	54	6-6214-06GT	WASHER,LOCK,HI COLLAR,,375.....	8
11	7-234-01GT	VALVE,MOTION.....	Ref.	55	5-2139GT	Fitting / 10 JIC M. X 10 JIC M. Str.....	4
12	6-5606-22GT	SCREW,SHC,3/8-16 X 2.75.....	4	56		CYLINDER,LIFT GTH-644.....	Ref. (refer to 902.1)
13	6-6214-06GT	WASHER,LOCK,HI COLLAR,,375.....	4	57	6-7002-17GT	HOSE,04X04X8 1/2LG.....	1
14	6-6453-09GT	FITTING,08 OR X 08 JIC 90.....	1	58	6-6457-05GT	FITTING,06 OR,HEX HEAD PLUG.....	3
15	6-6452-04GT	FITTING,08 OR X 08 JIC 45.....	1	59	6-7005-200GT	HOSE,10X10X100LG.....	1
16	6-7002-26GT	HOSE,4X4X13".....	1	60	6-7005-180GT	HOSE,10X10X90LG.....	1
17	123670GT	FITTING,06 OR X 06 JIC 90.....	2	61	6-6457-03GT	FITTING,04 OR OR HEX HEAD PLUG.....	Ref.
18	6-7014-768GT	HOSE,10X8X384LG.....	2	62	6-7005-172GT	HOSE,10X10X86LG.....	1
20	123192GT	CLAMP HALVES,TWIN,5/8" TUBE.....	6	63	108576GT	FORMING,HOSE GUIDE.....	2
21	123176GT	PLATE, TOP.....	6	64	6-5204-06GT	SCREW,HHC,1/4-20X.75,GR8.....	4
22	14033GT	SCREW,HHC,3/8-16 X 2.75.....	1	65	6-6212-04GT	WASHER,FLAT,250, HARDENED.....	4
23	4828GT	NUT,NYLOCK,3/8-16.....	1	66	56912GT	SPRING CLIP,1/4-20,,025-.15X.54,ZAG.....	4
24	6097GT	WASHER,FLAT,USS,3/8",Y.....	1	67	6-7005-120GT	HOSE,10X10X60LG.....	2
25	50793GT	SCREW,HHC,5/16-18 X 2.....	1	68	123838GT	COIL,PROTECTIVE,PLASTIC.....	12
26	6-6476-07GT	#10,45DEG BULKHEAD.....	2				
27	6-6480-07GT	FITTING,10 JIC,SW-BR-TEE.....	2				
28	6-6485-03GT	FITTING,10 OR X 10 JIC, SWIV.....	1				
29	7-234-50GT	VALVE.....	Ref.				
30	6-6450-05GT	CONNECTOR,070120-4-6.....	Ref.				
31	6-7022-30GT	HOSE,4X4-90X15".....	Ref.				
32	6-6453-12GT	FITTING,10 OR X 10 JIC 90.....	1				
33	6-6450-15GT	FITTING,08 OR X 10 JIC STR.....	2				
34	6-6453-11GT	FITTING,08 OR X 10 JIC 90.....	2				
35	7-234-04GT	VALVE,DUAL CHECK.....	Ref.				
36	6-7025-36GT	HOSE,10X10-90X18".....	1				
37	6-7005-32GT	HOSE,10X10X16".....	1				
38	6-7025-36GT	HOSE,10X10-90X18".....	1				
39	6-6452-06GT	FITTING,10 OR X 10 JIC 45.....	4				
40	6-6481-07GT	FITTING,10 JIC, SW-RUN-TEE.....	2				
41	6-6450-17GT	FITTING,12 OR X 10 JIC STR.....	2				
42	6-6452-17GT	FITTING,12 OR X 10 JIC 45.....	2				
43	6-5205-16GT	SCREW,HHC,5/16-18 X 2.00,GR8.....	2				
44	6-7005-188GT	HOSE,10X10X94LG.....	1				

804.1 Circuit, Boom

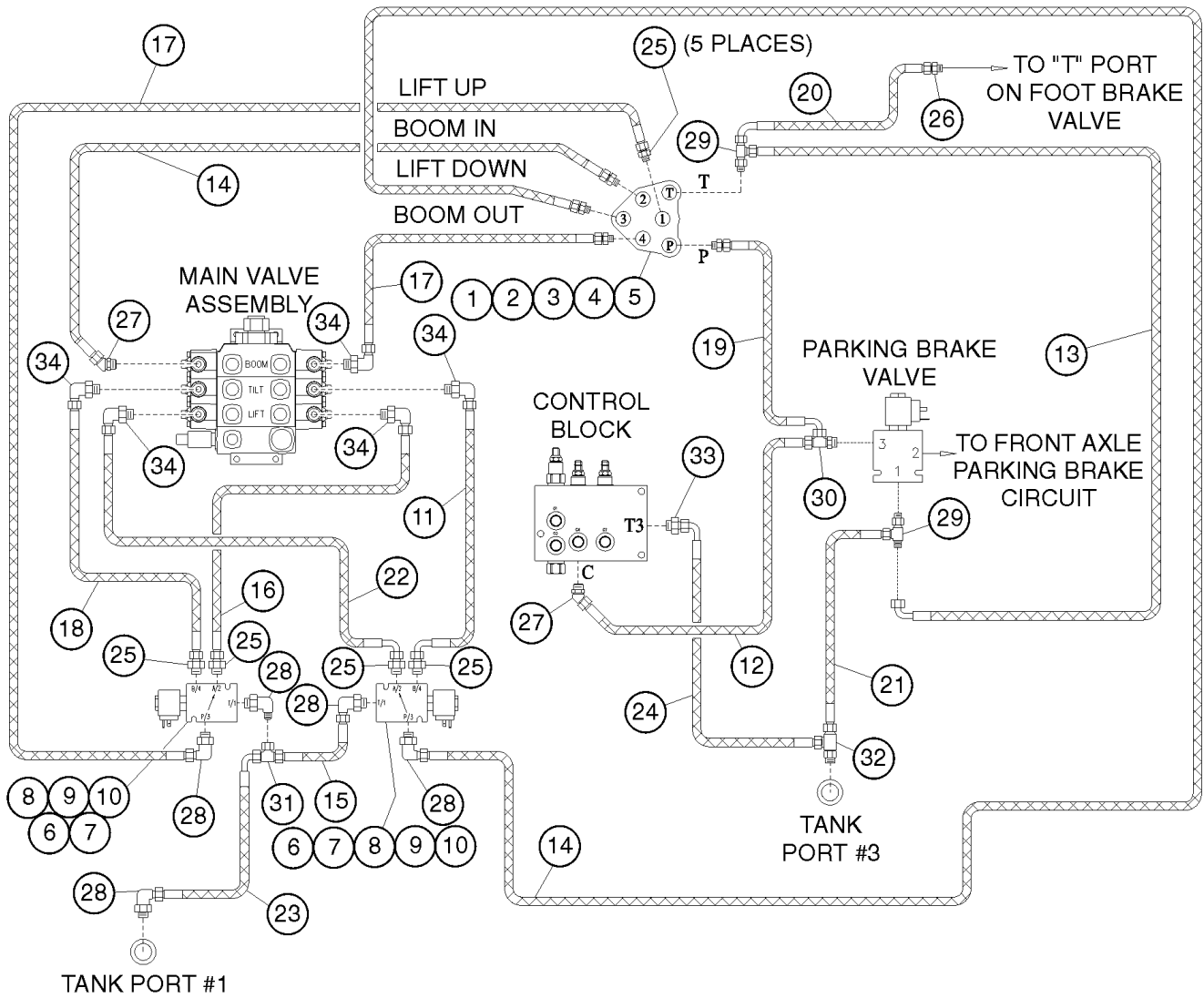


MAIN VALVE ASSEMBLY



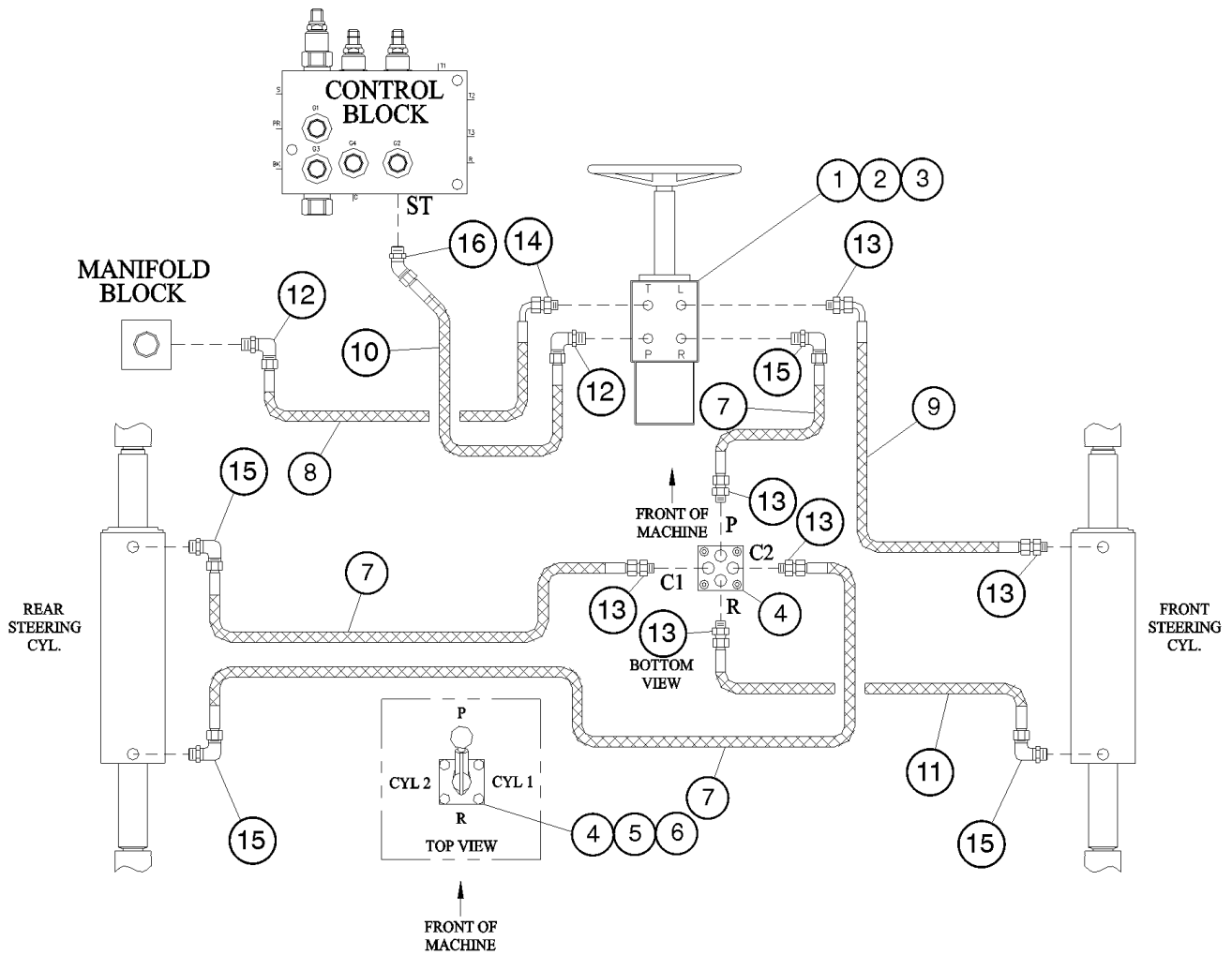
Item	Part No.	Description	Qty.
1		CYLINDER,BOOM EXT,GTH844,644.....Ref. (refer to 904.1)	
2	7-234-03GT	VALVE,MOTION.....Ref.	
3	6-5606-22GT	SCREW,SHC,3/8-16 X 2.75.....8	
4	6-6214-06GT	WASHER,LOCK,HI COLLAR,,375.....8	
5	6-6453-03GT	FITTING,04 OR X 04 JIC 90.....2	
6	6-6453-12GT	FITTING,10 OR X 10 JIC 90.....2	
7	6-6457-03GT	FITTING,04 OR OR HEX HEAD PLUG...2	
8	6-6450-05GT	CONNECTOR,070120-4-6.....2	
9	6-7022-30GT	HOSE,4X4-90X15".....2	
10	6-6457-05GT	FITTING,06 OR,HEX HEAD PLUG.....4	
11	6-7005-184GT	HOSE,10X10X92LG.....1	
12	6-7005-158GT	HOSE,10X10X79LG.....1	
13	7-273-32GT	CLAMP HALVES,TWIN,7/8" TUBE.....1	
14	123177GT	CLAMP CVR PLATE,TWIN,GRP 3.....1	
15	50793GT	SCREW,HHC,5/16-18 X 2.....1	
16	123838GT	COIL,PROTECTIVE,PLASTIC.....12	
17	6-6453-13GT	FITTING,12 OR X 10 JIC 90.....2	

805.1 Circuit, 4 Way Controller



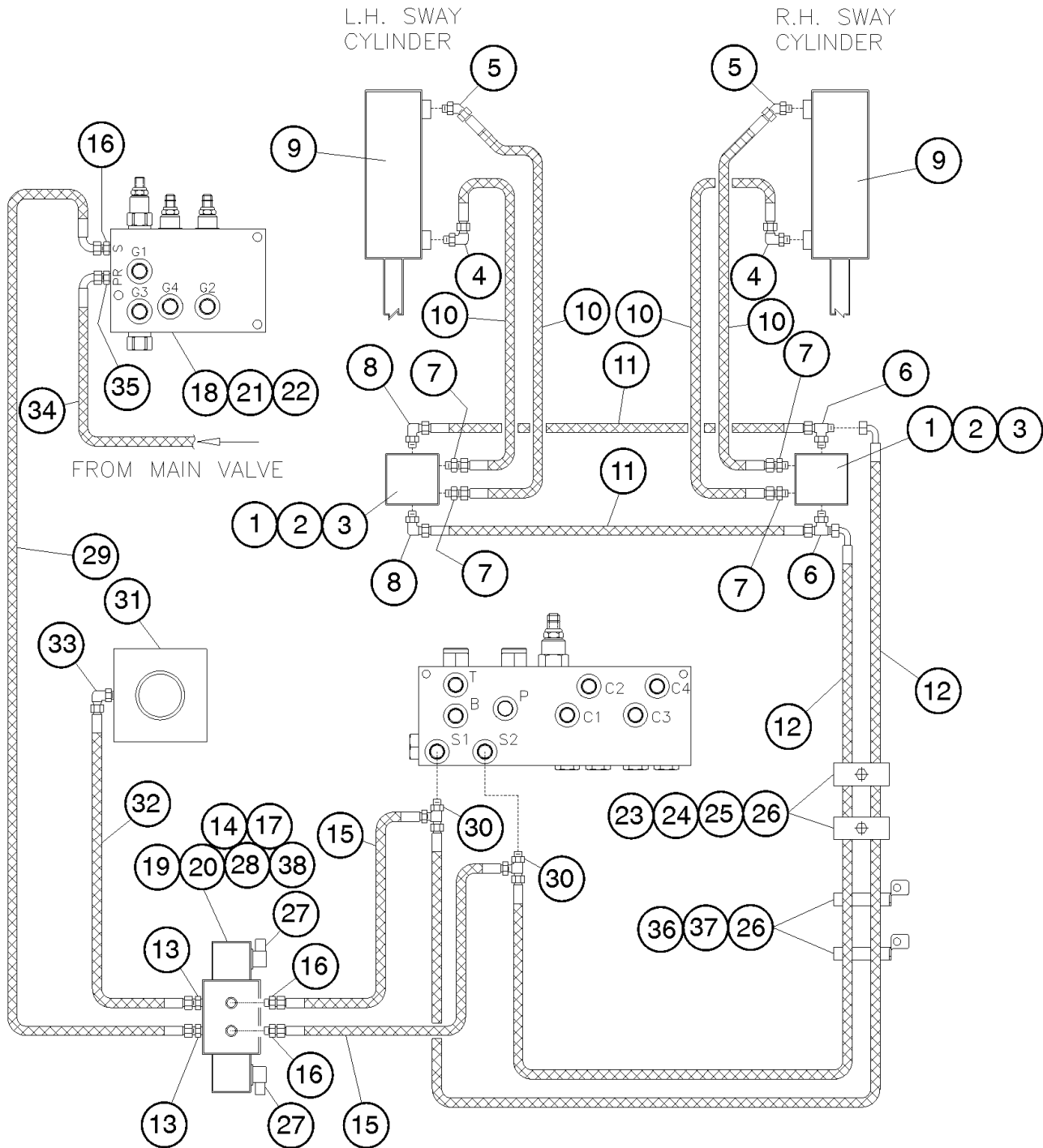
Item	Part No.	Description	Qty.
1		CONTROLLER, 4 WAY.....Ref. <i>refer to figure 607.1</i>	
2	6-5204-06GT	SCREW,HHC,1/4-20X.75,GR8.....4	4
3	6-6212-04GT	WASHER,FLAT,.250, HARDENED.....4	4
4	6356GT	WASHER,LOCK,.25.....4	4
5	6-6201-04GT	NUT,HEX,1/4-20.....4	4
6	7-367-09GT	VALVE,ELECTRIC 4WAY.....Ref.	
7	6-5204-14GT	SCREW,HHC,1/4-20X1.75,GR8.....4	4
8	6356GT	WASHER,LOCK,.25.....4	4
9	6-6212-04GT	WASHER,FLAT,.250, HARDENED.....4	4
10	7-244-27GT	Ref. DIN CONNECTOR.....2 <i>(7-244-27 is no longer available from supplier, however, some Genie inventory may still be in stock)</i>	2
11	6-7022-34GT	HOSE, 4X4-90X17".....1	1
12	6-7002-204GT	HOSE,04X04X102LG.....1	1
13	6-7023-62GT	HOSE,06X06-90X31LG.....1	1
14	6-7002-244GT	HOSE,04X04X122LG.....2	2
15	6-7002-17GT	HOSE,04X04X8 1/2LG.....1	1
16	6-7002-26GT	HOSE,4X4X13".....1	1
17	6-7002-276GT	HOSE,04X04X138LG.....2	2
18	6-7002-34GT	HOSE,4X4X17".....1	1
19	6-7022-60GT	HOSE,04X04-90X30LG.....1	1
20	6-7023-120GT	HOSE,06X06-90X60LG.....1	1
21	6-7003-212GT	HOSE,06X06X106LG.....1	1
22	6-7022-44GT	HOSE,4X4-90X22".....1	1
23	6-7022-28GT	HOSE,4X4-90X14".....1	1
24	6-7023-32GT	HOSE,6X6-90X16".....Ref.	
25	6-6450-05GT	CONNECTOR,070120-4-6.....5	5
26	123671GT	FITTING, 06OR X 06 JIC STR.....1	1
27	6-6452-19GT	FITTING,06 OR X 04 JIC 45.....2	2
28	6-6453-04GT	FITTING,06 OR X 04 JIC 90.....5	5
29	6-6455-05GT	FITTING,06 OR X 06 JIC RN-TEE.....2	2
30	6-6455-15GT	FITTING,06 OR X 04 JIC RN-TEE.....1	1
31	6-6480-03GT	FITTING.....1	1
32	6-6455-05GT	FITTING,06 OR X 06 JIC RN-TEE.....1	1
33	123671GT	FITTING, 06OR X 06 JIC STR.....Ref.	
34	45415GT	ELBOW,070221-4-4.....5	5

806.1 Circuit, Steering



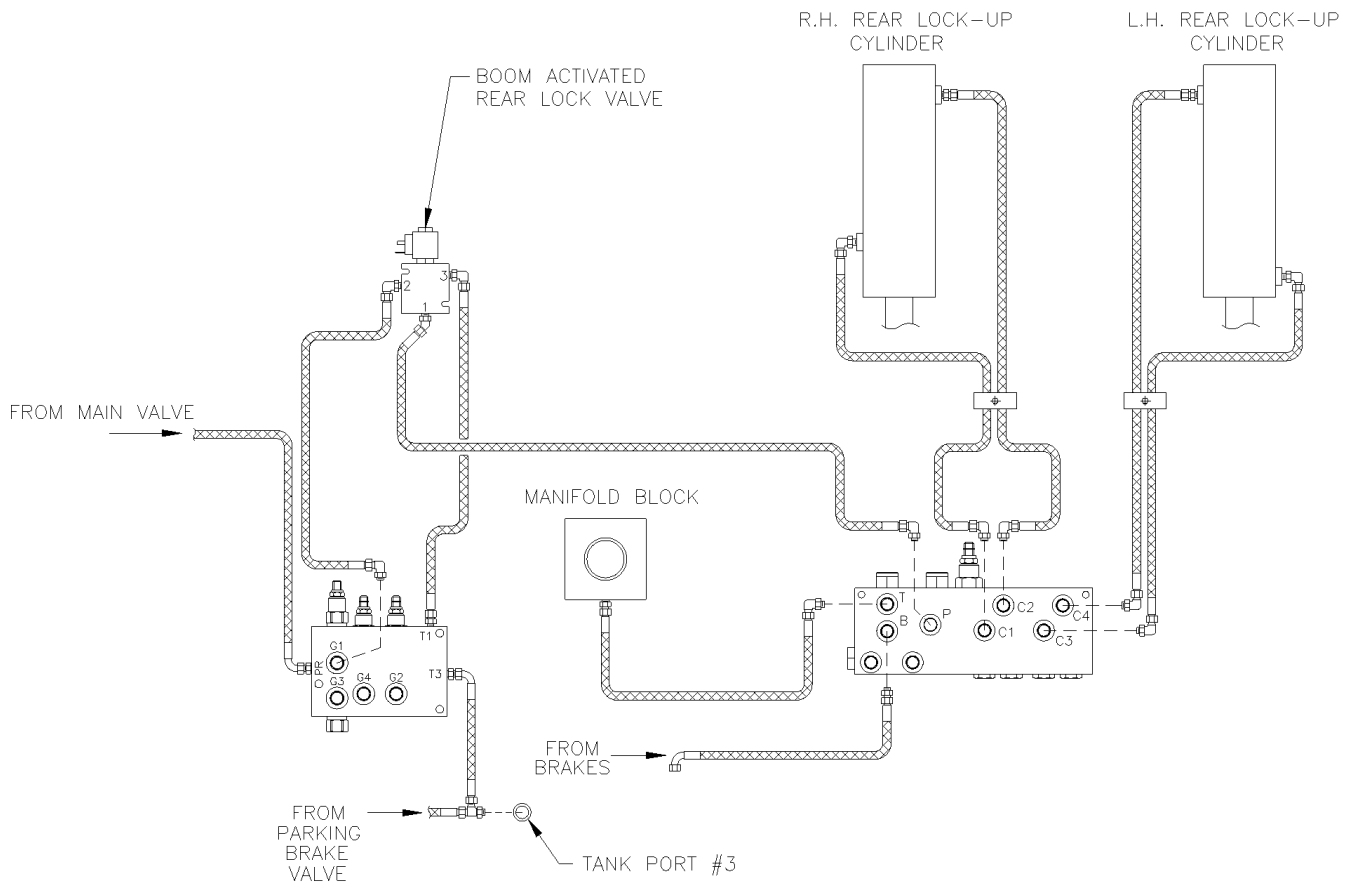
Item	Part No.	Description	Qty.
1		Ref. STEERING UNIT 250CC TEFLON*** (refer to 911.1)	
2	77692GT	SCREW,HHC,3/8-16 X 1 GRD 8.....	4
3	6021GT	WASHER,LOCK,.375.....	4
4	7-359-02GT	VALVE,STEERING.....	Ref.
5	123840GT	SCREW,HHC,5/16-18X.75,GR8,Y.....	4
6	6886GT	WASHER,LOCK,.313.....	4
7	6-7003-212GT	HOSE,.06X06X106LG.....	3
8	6-7024-388GT	HOSE,.08X08-90X194LG.....	1
9	6-7023-318GT	HOSE,.06X06-90X159LG.....	1
10	6-7004-352GT	H0SE,.08X08X176LG.....	1
11	6-7003-244GT	HOSE,.06X06X122LG.....	1
12	6-6453-09GT	FITTING,08 OR X 08 JIC 90.....	2
13	123673GT	FITTING, 08 OR X 06 JIC STR.....	6
14	6-6450-12GT	FITTING,08 OR X 08 JIC STR.....	1
15	6-6453-07GT	FITTING,08 OR X 06 JIC 90.....	4
16	6-6452-04GT	FITTING,08 OR X 08 JIC 45.....	1

807.1 Circuit, Sway



Item	Part No.	Description	Qty.
1	7-234-04GT	VALVE,DUAL CHECK.....Ref.	
2	6-5205-16GT	SCREW,HHC,5/16-18 X 2.00,GR8.....4	
3	7-173-05GT	THREADED SPRING CLIP, 5/16.....4	
4	6-6453-04GT	FITTING,06 OR X 04 JIC 90.....2	
5	6-6452-19GT	FITTING,06 OR X 04 JIC 45.....2	
6	6-6454-06GT	FITTING,08 OR X 08 JIC BR-TEE.....2	
7	6-6450-06GT	FITTING, 08 OR X 04 JIC STR.....4	
8	6-6453-09GT	FITTING,08 OR X 08 JIC 90.....2	
9		CYLINDER, SWAY (DEUTZ CHASSIS) <i>refer to 905.1</i>	
10	6-7002-74GT	HOSE,04X04X37LG.....4	
11	6-7004-44GT	HOSE,08X08X22LG.....2	
12	6-7033-336GT	HOSE,06X08-90X168LG.....2	
13	110129GT	CONNECTOR,ORIF,6-6,.062.....2	
14	16073GT	CLAMP,0.63,#10 X 1/4,RUB CUSH.....1	
15	6-7003-40GT	HOSE,06X06X20LG.....2	
16	123671GT	FITTING, 06OR X 06 JIC STR.....3	
17		SWAY VALVE <i>refer to 919.1</i>	
18	7-234-94GT	CONTROL BLOCK.....Ref.	
19	6-5204-12GT	SCREW,HHC,1/4-20 X1.50,GR8.....1	
20	6356GT	WASHER,LOCK,.25.....2	
21	6-5205-20GT	SCREW,HHC,5/16-18X2.50,GR8.....3	
22	6886GT	WASHER,LOCK,.313.....3	
23	7-273-27GT	CLAMP HALVES,TWIN,3/8"PIPE.....2	
24	123176GT	PLATE, TOP.....2	
25	7-173-07GT	BOLT,CARRIAGE,3/8-16X2.25.....2	
26	4828GT	NUT,NYLOCK,3/8-16.....4	
27	7-244-27GT	Ref. DIN CONNECTOR.....2 <i>(7-244-27 is no longer available from supplier, however, some Genie inventory may still be in stock)</i>	
28	6-6201-04GT	NUT,HEX,1/4-20.....2	
29	6-7023-62GT	HOSE,06X06-90X31LG.....1	
30	6-6455-05GT	FITTING,06 OR X 06 JIC RN-TEE.....2	
31	3-1376GT	MANIFOLD.....Ref.	
32	6-7003-90GT	HOSE,6X6X45".....1	
33	6-6453-07GT	FITTING,08 OR X 06 JIC 90.....1	
34	6-7025-36GT	HOSE,10X10-90X18".....Ref.	
35	6-6450-15GT	FITTING,08 OR X 10 JIC STR.....Ref.	
36	5-2079GT	Forming / Hose Holder.....2	
37	64154GT	BOLT,CARRIAGE,3/8-16 X1.00,G5.....2	
38	6-5204-14GT	SCREW,HHC,1/4-20X1.75,GR8.....1	

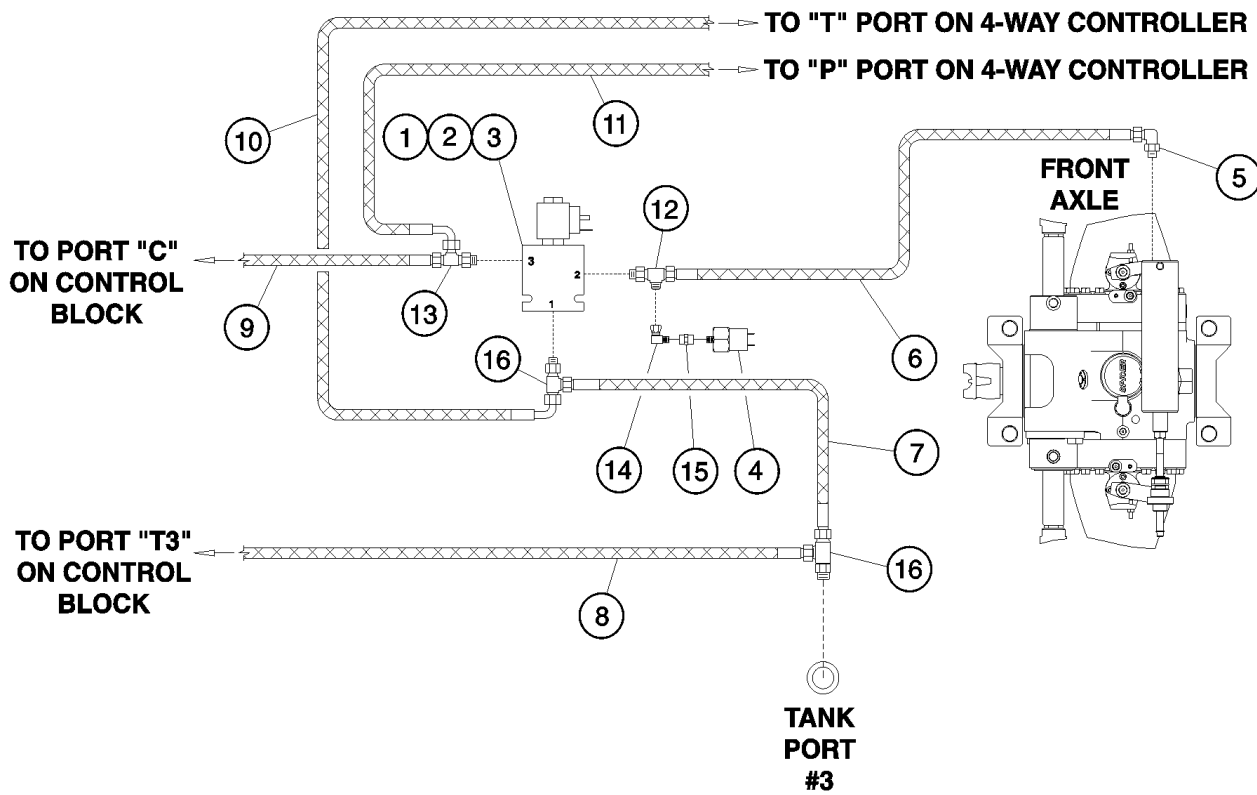
808.1 Circuit, Rear Lock-Up





Item	Part No.	Description	Qty.
1	7-234-94GT	CONTROL BLOCK.....Ref.	
2	7-168-02GT	REAR LOCK UP BLOCK ASSEMBLY.....Ref.	
3	7-304-07GT	CARTRIDGE / MODULAR CONTROL.....Ref.	
4	6-6450-05GT	CONNECTOR,070120-4-6.....2	
5	6-6453-04GT	FITTING,06 OR X 04 JIC 90.....6	
6	7-367-13GT	VALVE,REAR LOCKUP.....Ref.	
7	6-6452-03GT	FITTING,06OR X 06 JIC 45.....1	
8	6-7003-22GT	HOSE,6X6X11".....1	
9	6886GT	WASHER,LOCK,,313.....2	
10		CYLINDER, SWAY (DEUTZ CHASSIS).....Ref. <i>refer to 706.1</i>	
11	6-7002-86GT	HOSE,04X04X43LG.....1	
12	6-7003-56GT	HOSE,6X6X28".....1	
13	6-7002-62GT	HOSE,04X04X31LG.....1	
14	6-7003-20GT	HOSE,6X6X10".....1	
15	6-5205-22GT	SCREW,HHC,5/16-18X2.75,GR8.....2	
16	123670GT	FITTING,06 OR X 06 JIC 90.....5	
17	123673GT	FITTING, 08 OR X 06 JIC STR.....1	
18	3-1376GT	MANIFOLD.....Ref.	
19	6-5204-14GT	SCREW,HHC,1/4-20X1.75,GR8.....2	
20	6356GT	WASHER,LOCK,,25.....2	
21	6-6212-04GT	WASHER,FLAT,,250, HARDENED.....2	
22	123671GT	FITTING, 06OR X 06 JIC STR.....3	
23	6-7023-62GT	HOSE,06X06-90X31LG.....1	
24	6-7023-32GT	HOSE,6X6-90X16".....1	
25	6-7003-74GT	HOSE,6X6X37".....1	
26	6-6455-05GT	FITTING,06 OR X 06 JIC RN-TEE.....Ref.	
27	6-6450-15GT	FITTING,08 OR X 10 JIC STR.....Ref.	
28	6-7025-36GT	HOSE,10X10-90X18".....Ref.	
29	6038GT	NUT,HEX,5/16-18,GR8.....2	
30	6-7002-100GT	HOSE,04X04X50LG.....1	
31	6-7002-84GT	HOSE,04X04X42LG.....1	
32	7-273-37GT	CLAMP HALVES,TWIN,1/4" TUBE.....2	
33	123176GT	PLATE, TOP.....2	
34	6-5205-10GT	SCREW,HHC,5/16-18X1.25,GR8.....2	

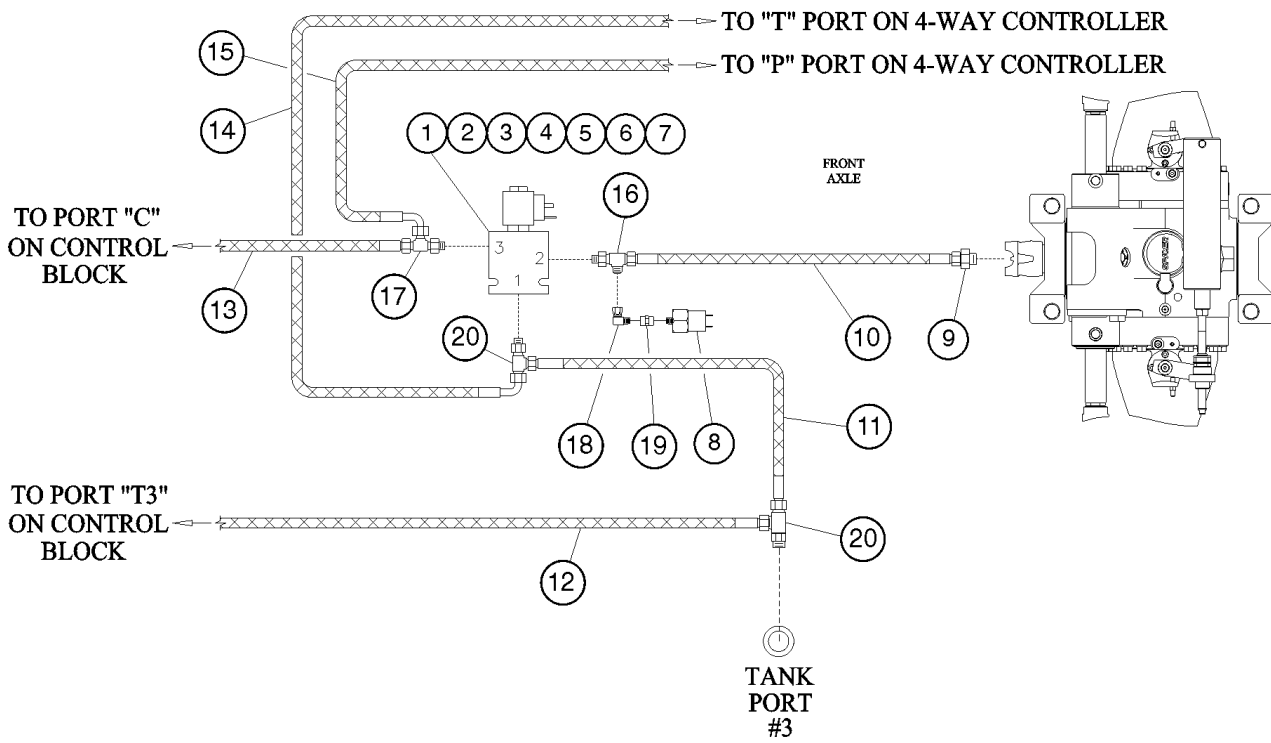
809.1 Circuit, Parking Brake, GTH-844



## 809.1 Circuit, Parking Brake, GTH-844

Item	Part No.	Description	Qty.
1	7-367-02GT	VALVE,DIFF.LOCK&PARKING BRAKE.....Ref.	
2	5-2025GT	Plate / Valve Block Shim.....1	
3	7-244-27GT	Ref. DIN CONNECTOR.....2 <i>(7-244-27 is no longer available from supplier, however, some Genie inventory may still be in stock)</i>	
4	7-359-16GT	PRESSURE SWITCH,250NC***.....1 <i>Parking Brake Pressure Switch, activates brake light on dash. has orange and red wire on it.</i>	
5	108672GT	FITTING,1/4GASX06JIC90.....1	
6	6-7003-144GT	HOSE,06X06X72"LG.....1	
7	6-7003-212GT	HOSE,06X06X106LG.....Ref.	
8	6-7023-32GT	HOSE,6X6-90X16".....Ref.	
9	6-7002-204GT	HOSE,04X04X102LG.....Ref.	
10	6-7023-62GT	HOSE,06X06-90X31LG.....Ref.	
11	6-7022-60GT	HOSE,04X04-90X30LG.....Ref.	
12	6-6455-05GT	FITTING,06 OR X 06 JIC RN-TEE.....1	
13	6-6455-15GT	FITTING,06 OR X 04 JIC RN-TEE.....Ref.	
14	6-6435-03GT	FITTING,04 NPT X 06 JIC 90SW.....1	
15	6-6402-02GT	FITTING,02 NPT X 04 NPT CPLG.....1	
16	6-6455-05GT	FITTING,06 OR X 06 JIC RN-TEE.....Ref.	

810.1 Circuit, Parking Brake, GTH-644

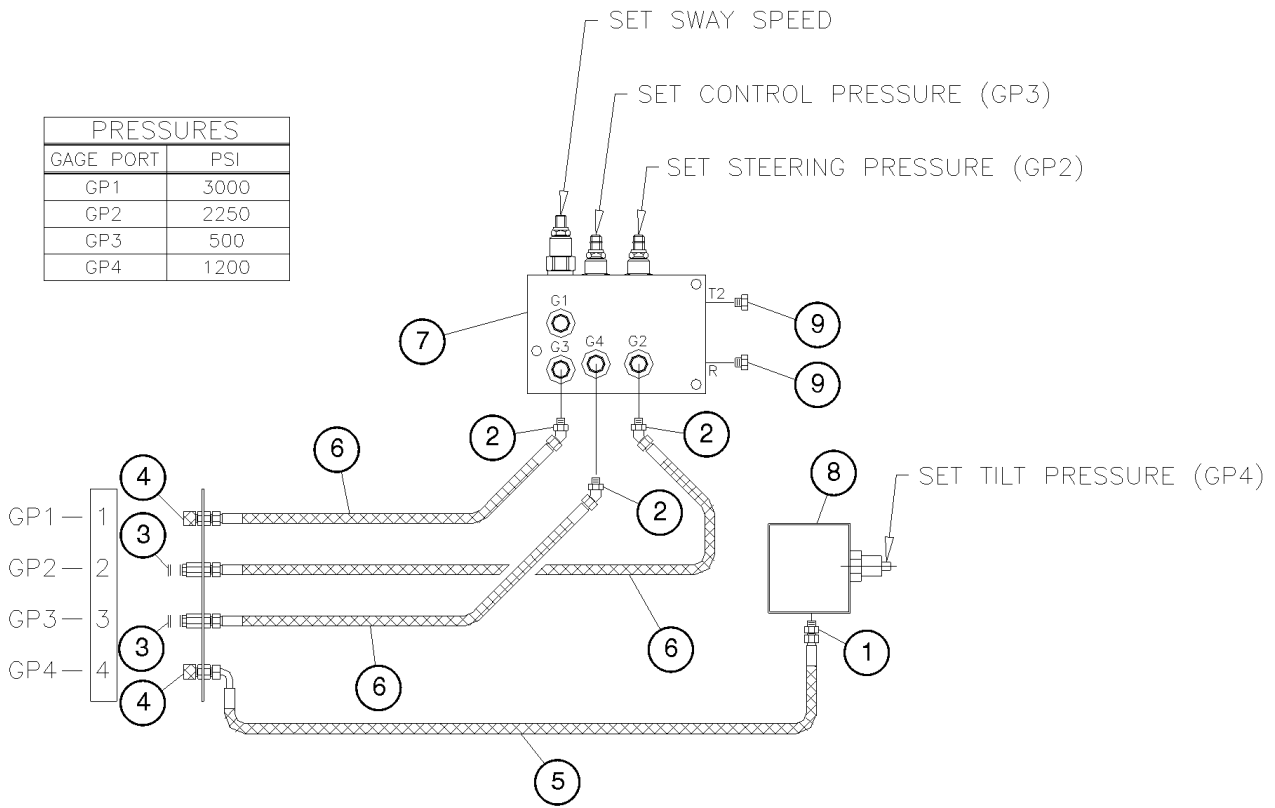


## 810.1 Circuit, Parking Brake, GTH-644

Item	Part No.	Description	Qty.
1	7-367-02GT	VALVE,DIFF.LOCK&PARKING BRAKE.....Ref.	
2	5-2025GT	Plate / Valve Block Shim.....1	
3	6-5204-18GT	SCREW,HHC,1/4-20X2.25,GR8.....2	
4	6-6212-04GT	WASHER,FLAT,250, HARDENED.....2	
5	6356GT	WASHER,LOCK,.25.....2	
6	6-6201-04GT	NUT,HEX,1/4-20.....2	
7	7-244-27GT	Ref. DIN CONNECTOR.....2 <i>(7-244-27 is no longer available from supplier, however, some Genie inventory may still be in stock)</i>	
8	7-359-16GT	PRESSURE SWITCH,250NC***.....1 <i>Parking Brake Pressure Switch, activates brake light on dash. has orange and red wire on it.</i>	
9	7-371-04GT	FITTING, 14MM OR X 06 JIC,STR.....1	
10	6-7003-136GT	HOSE,06X06X68LG.....1	
11	6-7003-212GT	HOSE,06X06X106LG.....Ref.	
12	6-7023-32GT	HOSE,6X6-90X16".....Ref.	
13	6-7002-204GT	HOSE,04X04X102LG.....Ref.	
14	6-7023-62GT	HOSE,06X06-90X31LG.....Ref.	
15	6-7022-60GT	HOSE,04X04-90X30LG.....Ref.	
16	6-6455-05GT	FITTING,06 OR X 06 JIC RN-TEE.....1	
17	6-6455-15GT	FITTING,06 OR X 04 JIC RN-TEE.....Ref.	
18	6-6435-03GT	FITTING,04 NPT X 06 JIC 90SW.....1	
19	6-6402-02GT	FITTING,02 NPT X 04 NPT CPLG.....1	
20	6-6455-05GT	FITTING,06 OR X 06 JIC RN-TEE.....Ref.	

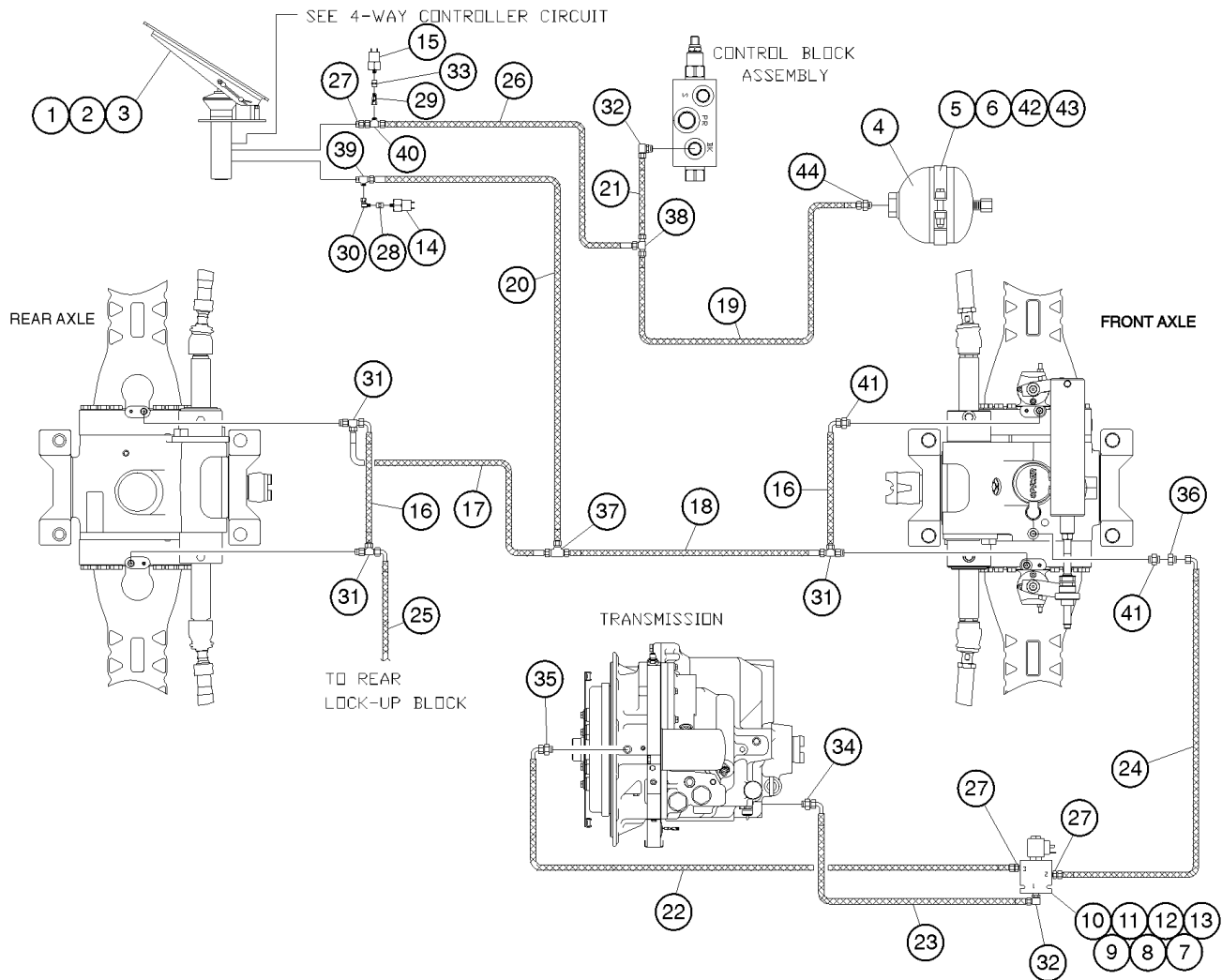
811.1 Circuit, Pressure Checks

PRESSURES	
GAGE PORT	PSI
GP1	3000
GP2	2250
GP3	500
GP4	1200



Item	Part No.	Description	Qty.
1	6-6450-05GT	CONNECTOR,070120-4-6.....	1
2	6-6452-19GT	FITTING,06 OR X 04 JIC 45.....	3
3	7-256-27GT	VALVE,MALE PRESSURE CHECK.....	2
4	7-302-01GT	VALVE,PRESSURE CHECK,MALE.....	2
5	6-7022-30GT	HOSE,4X4-90X15".....	1
6	6-7002-34GT	HOSE,4X4X17".....	3
7	7-234-94GT	CONTROL BLOCK.....	Ref.
8	7-234-50GT	VALVE.....	Ref.
9	6-6457-05GT	FITTING,06 OR,HEX HEAD PLUG.....	2

812.1 Circuit, Brake - Differential Lock, GTH-844

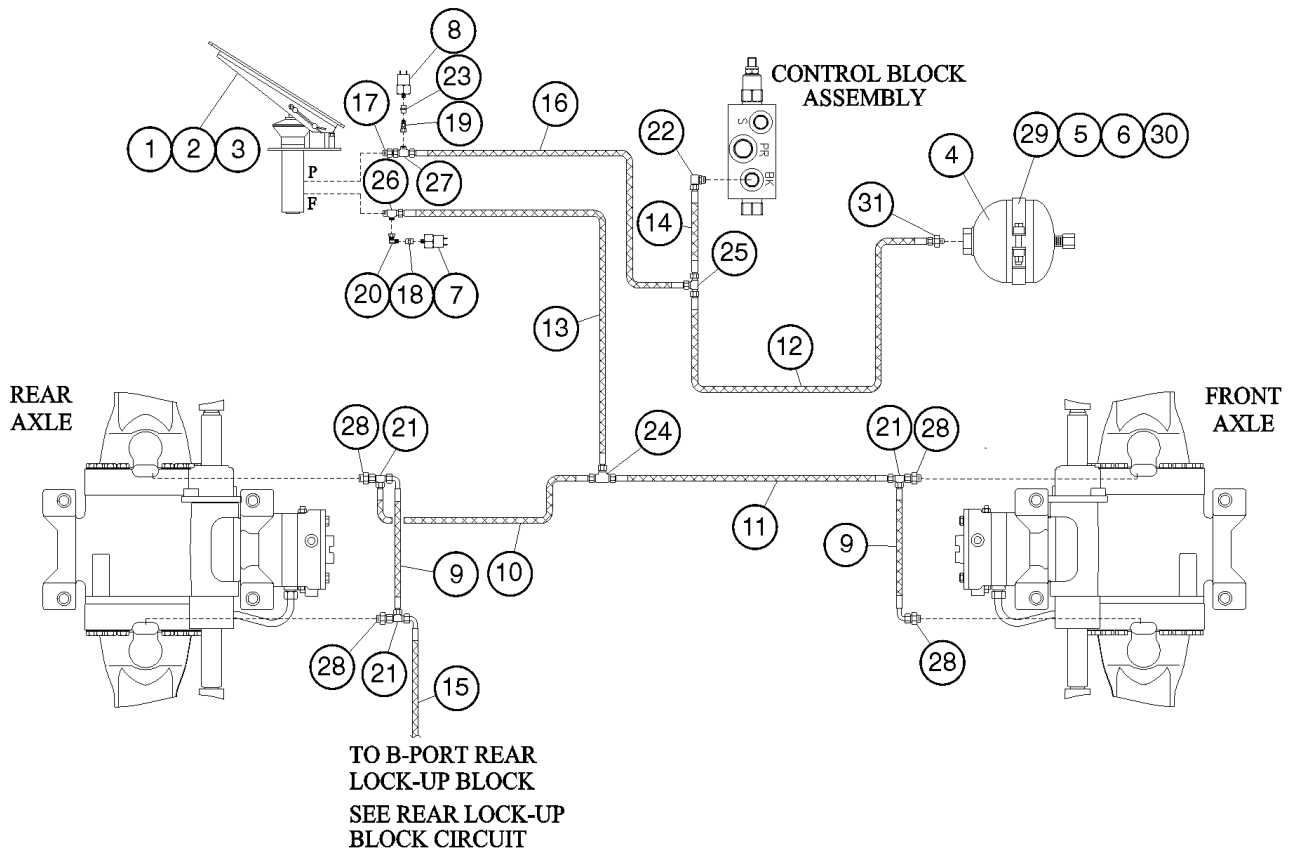




## 812.1 Circuit, Brake - Differential Lock, GTH-844

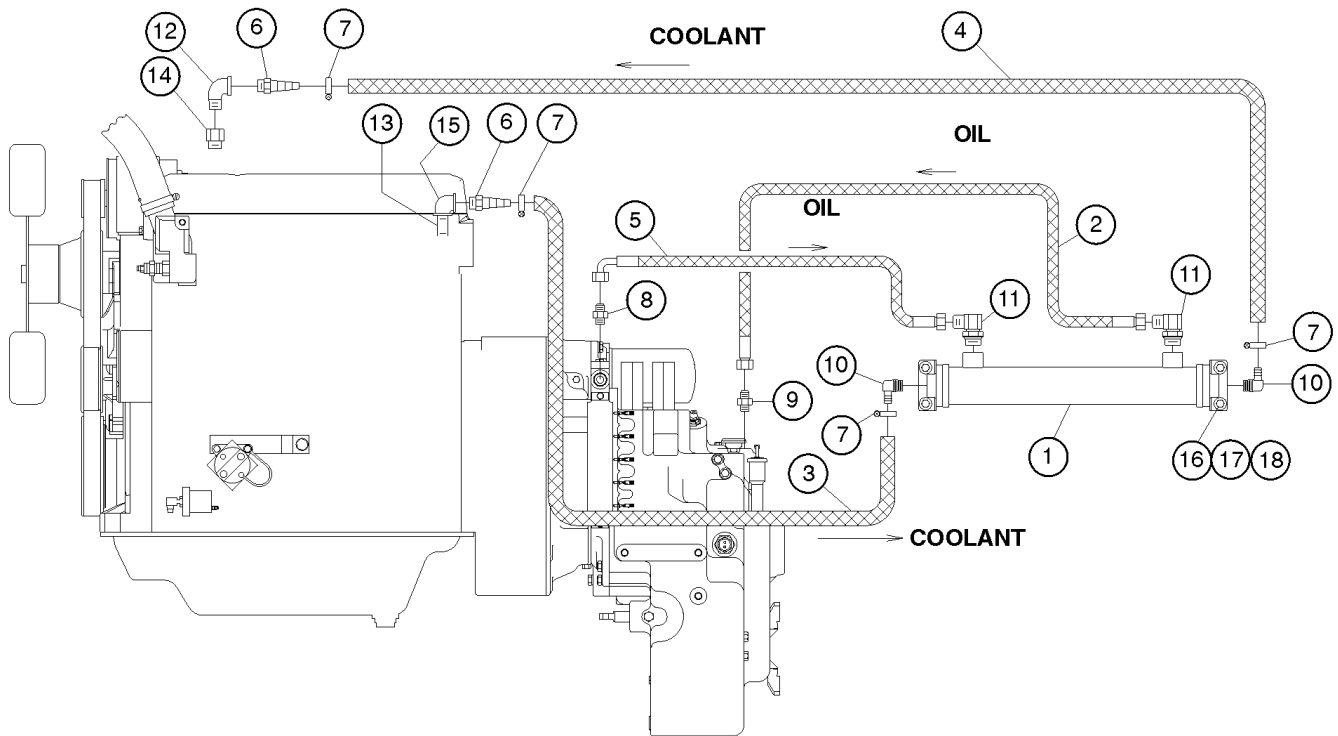
Item	Part No.	Description	Qty.	Item	Part No.	Description	Qty.
1	117694GT	BRAKE PEDAL,FLOOR MOUNT.....Ref.		39	6-6455-05GT	FITTING,06 OR X 06 JIC RN-TEE.....1	
2	6-5204-06GT	SCREW,HHC,1/4-20X.75,GR8.....Ref.		40	6-6481-03GT	FITTING, 04 JIC,SW-RN-TEE.....1	
3	6356GT	WASHER,LOCK,.25.....Ref.		41	7-371-04GT	FITTING, 14MM OR X 06 JIC,STR.....2	
4	7-110-02GT	ACCUMULATOR,BRAKE.....Ref.		42	7-110-03GT	MOUNTING BRACKET, ACCUMULATOR.....1	
5	6-5205-08GT	SCREW,HHC,5/16-18X1.....2		43	7-173-05GT	THREADED SPRING CLIP, 5/16.....2	
6	57201GT	WASHER,FLAT,313, HARDENED.....2		44	6-6450-06GT	FITTING, 08 OR X 04 JIC STR.....1	
7	7-367-02GT	VALVE,DIFF.LOCK&PARKING BRAKE.....Ref.					
8	5-2025GT	Plate / Valve Block Shim.....1					
9	6-5204-30GT	SCREW,HHC,1/4-20X3.75,GR8.....2					
10	6-6212-04GT	WASHER,FLAT,.250, HARDENED.....2					
11	6356GT	WASHER,LOCK,.25.....2					
12	6-6201-04GT	NUT,HEX,1/4-20.....2					
13	7-244-27GT	Ref. DIN CONNECTOR.....2 <i>(7-244-27 is no longer available from supplier, however, some Genie inventory may still be in stock)</i>					
14	7-359-17GT	PRESSURE SWITCH,350NC***.....1 <i>de clutch pressure switch, will have two black wires.</i>					
15	7-359-18GT	PRESSURE SWITCH,1000NC***.....1 <i>low brake pressure switch, will have a light blue and black wire.</i>					
16	6-7023-28GT	HOSE,06X06-90X14LG.....2					
17	6-7003-130GT	HOSE,06X06X65LG.....1					
18	6-7003-180GT	HOSE,06X06X90LG.....1					
19	6-7022-100GT	HOSE,04X04-90X50.....1					
20	6-7003-100GT	HOSE,06X06X50LG.....1					
21	6-7002-210GT	HOSE,04X04X105LG.....1					
22	6-7022-88GT	HOSE,04X04-90X44LG.....1					
23	6-7022-60GT	HOSE,04X04-90X30LG.....1					
24	6-7022-172GT	HOSE,04X04-90X14LG.....1					
25	6-7023-62GT	HOSE,06X06-90X31LG.....Ref.					
26	6-7002-100GT	HOSE,04X04X50LG.....1					
27	6-6450-05GT	CONNECTOR,070120-4-6.....3					
28	6-6402-02GT	FITTING,02 NPT X 04 NPT CPLG.....1					
29	6-6486-01GT	FITTING,02 NPT M X 04 JIC STR.....1					
30	6-6435-03GT	FITTING,04 NPT X 06 JIC 90SW.....1					
31	108666GT	FITTING,14MM X 06 JIC RN-TEE.....3					
32	6-6453-04GT	FITTING,06 OR X 04 JIC 90.....2					
33	6-6440-02GT	FITTING, 02 NPT COUPLING.....1					
34	6-6450-03GT	FITTING,04 OR X 04 JIC STR.....1					
35	6-6450-36GT	FITTING,03 OR X 04 JIC STR.....1					
36	6-6495-07GT	FITTING,06 X 04 JIC REDUCER.....1					
37	6-6482-05GT	FITTING, 06 JIC, UNION TEE.....1					
38	6-6482-03GT	FITTING, 04 JIC, TEE.....1					

813.1 Circuit, Brake, GTH-644



Item	Part No.	Description	Qty.
--		<i>declutch pressure switch, will have two black wires.</i>	
1	117694GT	BRAKE PEDAL,FLOOR MOUNT.....Ref.	
2	6-5204-06GT	SCREW,HHC,1/4-20X.75,GR8.....4	
3	6356GT	WASHER,LOCK,.25.....4	
4	7-110-02GT	ACCUMULATOR,BRAKE.....Ref.	
5	6-5205-08GT	SCREW,HHC,5/16-18X1.....2	
6	57201GT	WASHER,FLAT,313, HARDENED.....2	
7	7-359-17GT	PRESSURE SWITCH,350NC***.....1 <i>declutch pressure switch, will have two black wires.</i>	
8	7-359-18GT	PRESSURE SWITCH,1000NC***.....1 <i>low brake pressure switch, will have light blue and black wire.</i>	
9	6-7023-28GT	HOSE,06X06-90X14LG.....2	
10	6-7003-130GT	HOSE,06X06X65LG.....1	
11	6-7003-174GT	HOSE,06X06X87LG.....1	
12	6-7022-100GT	HOSE,04X04-90X50.....1	
13	6-7003-100GT	HOSE,06X06X50LG.....1	
14	6-7002-210GT	HOSE,04X04X105LG.....1	
15	6-7023-62GT	HOSE,06X06-90X31LG.....Ref.	
16	6-7002-100GT	HOSE,04X04X50LG.....1	
17	6-6450-05GT	CONNECTOR,070120-4-6.....1	
18	6-6402-02GT	FITTING,02 NPT X 04 NPT CPLG.....1	
19	6-6486-01GT	FITTING,02 NPT M X 04 JIC STR.....1	
20	6-6435-03GT	FITTING,04 NPT X 06 JIC 90SW.....1	
21	6-6481-05GT	FITTING,06 JIC SW-RN-TEE.....3	
22	6-6453-04GT	FITTING,06 OR X 04 JIC 90.....1	
23	6-6440-02GT	FITTING, 02 NPT COUPLING.....1	
24	6-6482-05GT	FITTING, 06 JIC, UNION TEE.....1	
25	6-6482-03GT	FITTING, 04 JIC, TEE.....1	
26	6-6455-05GT	FITTING,06 OR X 06 JIC RN-TEE.....1	
27	6-6481-03GT	FITTING, 04 JIC,SW-RN-TEE.....1	
28	7-371-04GT	FITTING, 14MM OR X 06 JIC,STR.....4	
29	7-110-03GT	MOUNTING BRACKET, ACCUMULATOR.....1	
30	7-173-05GT	THREADED SPRING CLIP, 5/16.....2	
31	6-6450-06GT	FITTING, 08 OR X 04 JIC STR.....1	

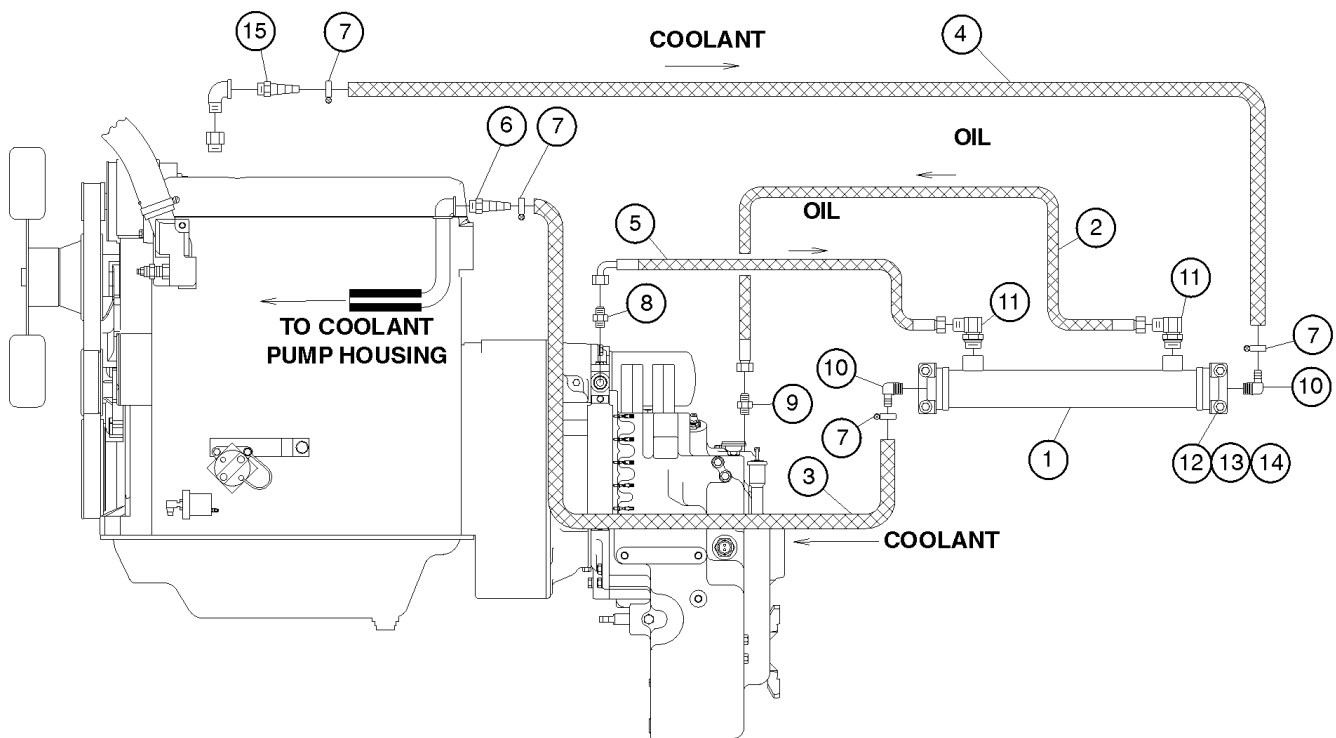
814.1 Circuit, Oil Cooler, JD-4045, Tier II



## 814.1 Circuit, Oil Cooler, JD-4045, Tier II

Item	Part No.	Description	Qty.
1A	7-900-152GT	KIT, OIL COOLER.....1 <i>(Thermal Transfer, Model EKS-518-201503)</i>	1
1B	7-183-188GT	COOLER, TRANSMISSION.....1 <i>(KAL, model 803318) (Perkins, Tier 3)</i>	1
2	6-7006-37GT	HOSE, 12X12X18.5".....1	1
3	6-9611-320GT	HOSE, HEATER, 3/4X40.....1	1
4	6-9611-464GT	HOSE, HEATER, 3/4X58.....1	1
5	6-7045-44GT	HOSE, 12X10-90X22.....1	1
6	6-6423-18GT	HOSE END, 12-08 MALE PIPE.....2	2
7	6-6252-04GT	CLAMP, HOSE.....4	4
8	6-6450-16GT	FITTING, 10 ORX10 JIC STR.....1	1
9	6-6450-20GT	FITTING, 10ORX10JIC, STRAIGHT.....1	1
10	6-6400-19GT	FITTING, AIR BREATHER, DEUTZ.....2	2
11	6-6453-15GT	FITTING, 12ORX12JIC, 90.....2	2
12	6-6437-04GT	FITTING, 08NPT ST ELBOW, BLK.....1	1
13	6-6413-03GT	FITTING, 1/2 PIPE NIPPLE.....1	1
14	6-6459-01GT	FITTING, 18MMX08 NPT, RED.....1	1
15		Ref., FITTING, 08 NPT ELBOW, BLK.....1	1
16	6-5605-06GT	SCREW, SHC, 5/16-18X.75.....4	4
17	57201GT	WASHER, FLAT, 313, HARDENED.....4	4
18	7-173-05GT	THREADED SPRING CLIP, 5/16.....4	4

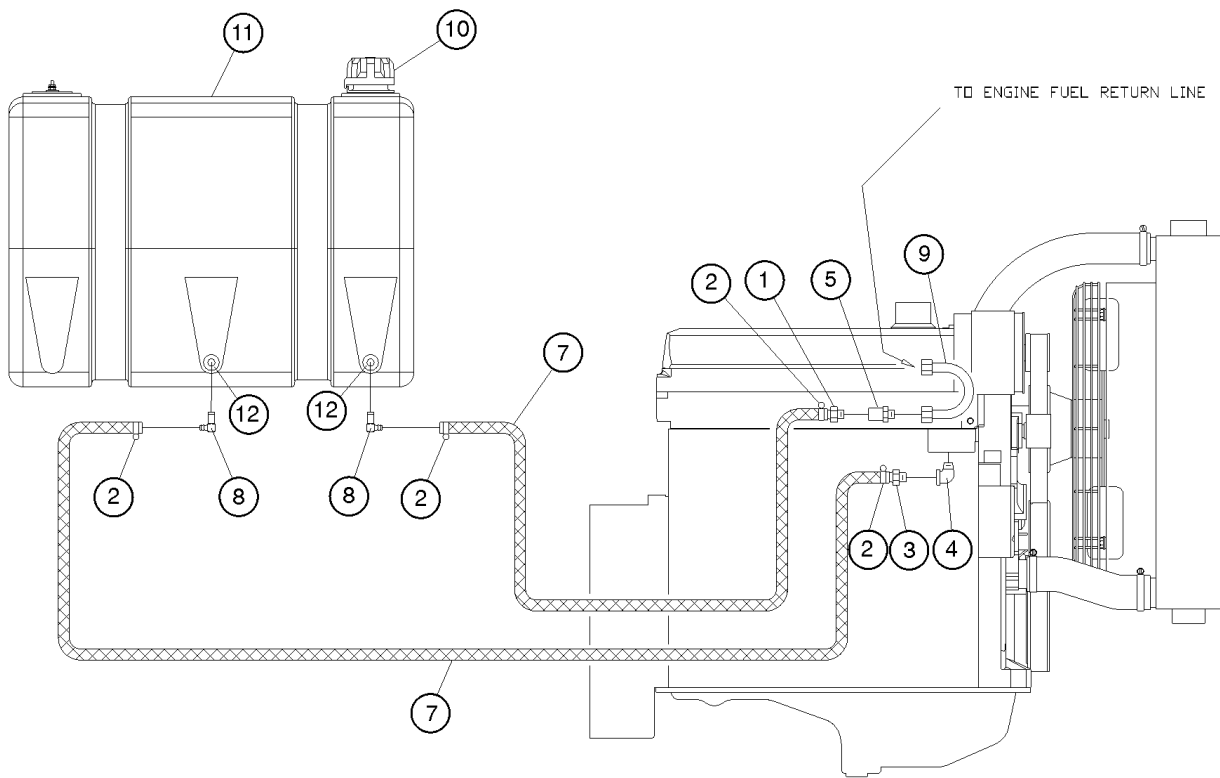
815.1 Circuit, Oil Cooler, Perkins, 1104C



## 815.1 Circuit, Oil Cooler, Perkins, 1104C

Item	Part No.	Description	Qty.
1	7-900-152GT	KIT, OIL COOLER.....1 <i>(replaced 7-236-08)</i>	1
2	6-7006-37GT	HOSE,12X12X18.5".....1	1
3	6-9611-448GT	.....1 <i>(need part number) (was 6-9611-448)</i>	1
4	6-9611-512GT	.....1 <i>(need part number) (was 6-9611-512)</i>	1
5	6-7045-44GT	HOSE,12X10-90X22.....1	1
6	6-6423-18GT	HOSE END,12-08 MALE PIPE.....1	1
7	6-6252-04GT	CLAMP,HOSE.....4	4
8	6-6450-16GT	FITTING,10 ORX10 JIC STR.....1	1
9	6-6450-20GT	FITTING,10ORX10JIC,STRAIGHT.....1	1
10	6-6400-19GT	FITTING, AIR BREATHER, DEUTZ.....2 <i>(barb 90°)</i>	2
11	6-6453-15GT	FITTING,12ORX12JIC,90.....2	2
12	6-5605-06GT	SCREW,SHC,5/16-18X.75.....4	4
13	57201GT	WASHER,FLAT,313, HARDENED.....4	4
14	7-173-05GT	THREADED SPRING CLIP, 5/16.....4	4
15	6-6400-18GT	.....1 <i>(barb 90°) (need part number) (was 6-6400-18)</i>	1

816.1 Circuit, Fuel, JD-4045, Tier II and Deutz

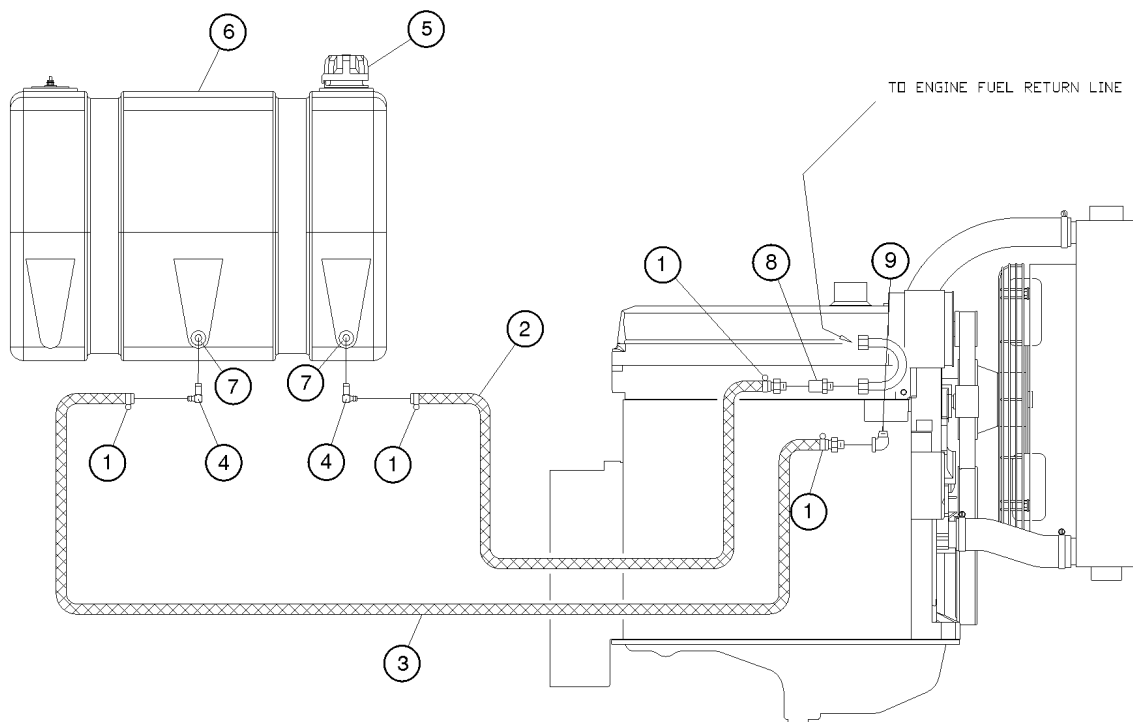




## 816.1 Circuit, Fuel, JD-4045, Tier II and Deutz

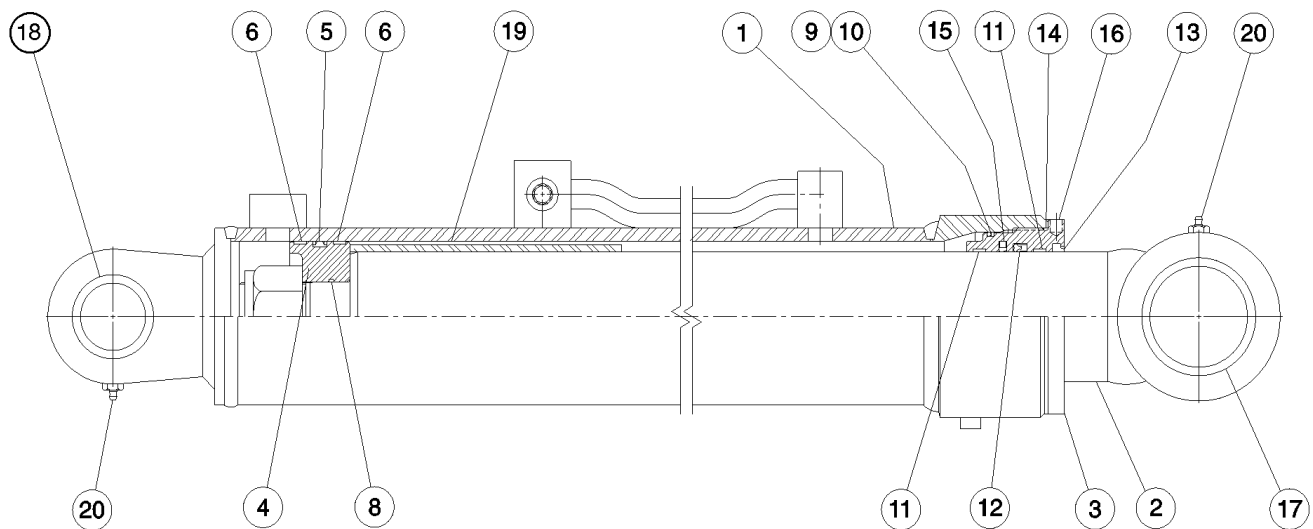
Item	Part No.	Description	Qty.
1	6-6423-08GT	FITTING.....	1
2	6-6252-20GT	HOSE CLAMP.....	4
3	6-6423-07GT	FITTING.....	1
4	6-6422-01GT	FITTING.....	1
5	6-6424-05GT	FITTING.....	1
6	7-158-47GT	3/8 FUEL HOSE / PER INCH.....	90
7	7-158-47GT	3/8 FUEL HOSE / PER INCH.....	90
8A	7-121-02GT	FITTING, 90, 3/8 HOSE..... <i>John Deere models</i>	2
8B	7-121-08GT	FITTING,90DEG,1/2"ID <i>Deutz or Perkins models</i>	
9	1-1034GT	TUBE / FUEL LINE.....	1
10	123147GT	FILLER CAP, FUEL, BREATHER.....	Ref.
11	123114GT	TANK,FUEL,30GAL.....	Ref.
12A	7-121-01GT	BUSHING, RUBBER..... <i>John Deere models</i>	2
12B	7-121-07GT	BUSHING,RUBBER,LARGE <i>Deutz models</i>	

817.1 Circuit, Fuel, Perkins 1104C



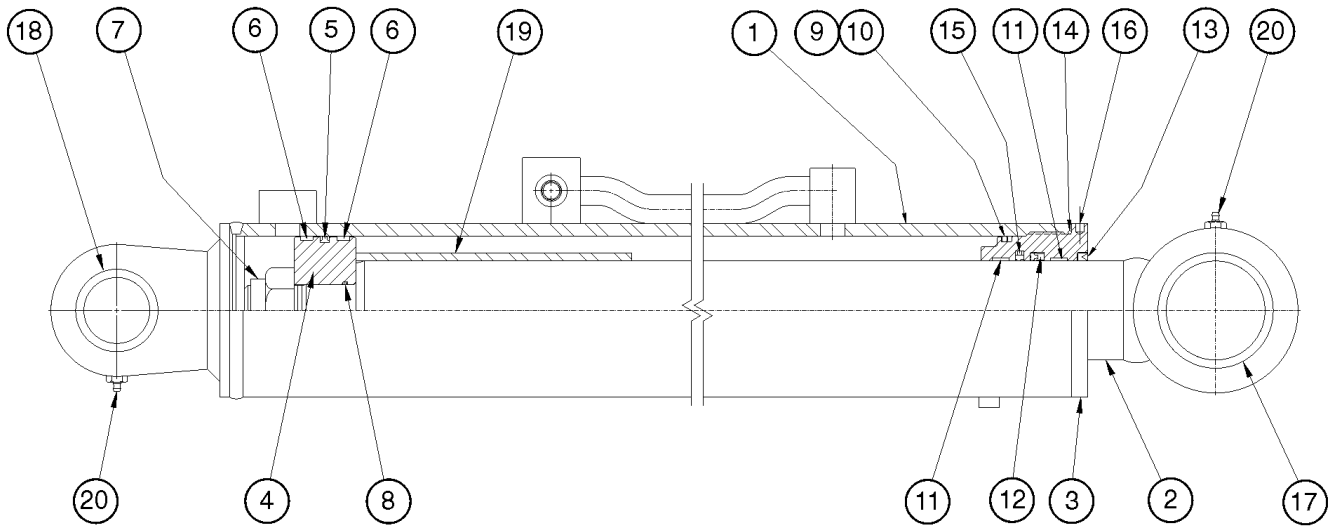
Item	Part No.	Description	Qty.
1	6-6252-20GT	HOSE CLAMP.....	4
2	226458GT	FUEL LINE,3/8".....	87-inches
3	226458GT	FUEL LINE,3/8".....	87-inches
4	123830GT	DROP TUBE ASSY,3/8 FUEL,6K/8K.....	2
5		Ref. FILLER CAP, FUEL, BREATHER (refer to 203.1)	
6		Ref. TANK,FUEL,PLASTIC,30 GAL (refer to 203.1)	
7	7-121-01GT	BUSHING, RUBBER.....	2
8	226459GT	FTG,FUEL SAE J2044 3/8 BARB.....	1
9	226463GT	FTG,1/8-27 90 DEG STREET EL.....	1

901.1 Lift Cylinder, GTH-844



Item	Part No.	Description	Qty.
1	T110843GT	CYLINDER,BOOM LIFT, GTH844.....	1
--	228986GT	KIT,844 LIFT CYL SERV..... <i>piston seal kit</i>	1
--	7-900-117GT	SEAL KIT / LIFT CYLINDER <i>(includes items 5, 6 and 8-15)</i>	
2		Rod Assembly..... <i>(no longer available from supplier)</i>	1
3		Head..... <i>(no longer available from supplier)</i>	1
4		Piston..... <i>(no longer available from supplier)</i>	1
5		SEAL, PISTON..... <i>only available in kit 228986GT</i>	1
6	7-316-409GT	WEAR RING / PISTON..... <i>only available in kit 228986GT</i>	2
7	7-316-417GT	SELF LOCKING NUT (7-316-403).....	1
8	7-316-410GT	O-RING, STUB SHAFT.....	1
9	7-316-416GT	O-RING, HEAD.....	1
10	7-316-414GT	HEAD BACK-UP RING.....	1
11	7-316-413GT	WEAR RING, HEAD.....	2
12	7-316-412GT	SEAL, HEAD ROD.....	1
13	7-316-415GT	WIPER SHAFT.....	1
14		O-ring..... <i>(no longer available from supplier)</i>	1
15	7-316-411GT	Buffer Seal.....	1
16	7-316-247GT	Self Tapping Screw.....	1
17	6-4524-32GT	BRONZE BUSHING.....	1
18	6-4516-24GT	BRONZE BUSHING.....	1
19		Stroke Limiter..... <i>(no longer available from supplier)</i>	1
20	7-316-150GT	LUBE FITTING.....	2

902.1 Lift Cylinder, GTH-644



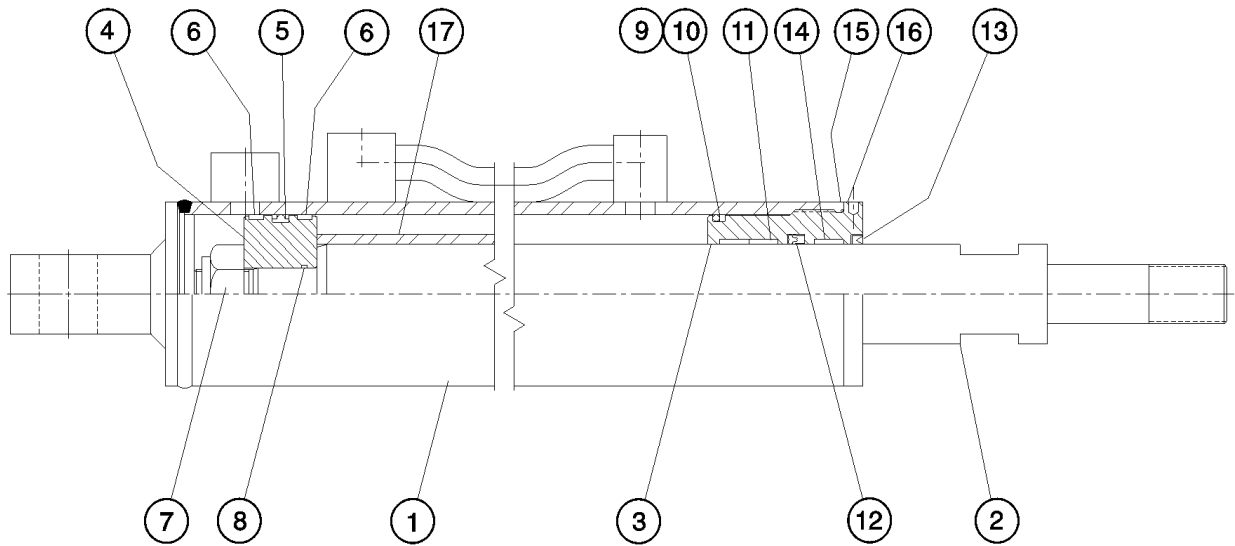
Item	Part No.	Description	Qty.
--	228986GT	KIT,844 LIFT CYL SERV.....1 (piston seal kit)	1
--	7-900-21GT	SEAL KIT / CYLINDER.....Ref. includes items 8 - 15	1
--	7-900-22GT	SEAL KIT / CYLINDER*** (complete seal kit)	1
--	T111121GT	CYLINDER,BOOM LIFT,GTH644	1
1		Barrel Assembly.....1 (no longer available from supplier)	1
2		Rod Assembly.....1 (no longer available from supplier)	1
3		Head.....1 (no longer available from supplier)	1
4		Piston.....1 (no longer available from supplier)	1
5		SEAL, PISTON.....1	1
6	7-316-234GT	WEAR RING.....2	2
7	7-316-205GT	NUT.....1	1
8	7-316-80GT	O-RING 1 9/16 ID X 3/32.....1	1
9	7-316-81GT	O-RING 4 1/8 ID X 3/16.....1	1
10	7-316-82GT	BACK-UP RING.....1	1
11	7-316-383GT	WEAR RING.....2	2
12	7-316-30GT	ROD SEAL.....1	1
13	7-316-36GT	ROD WIPER / 3.00 ID.....1	1
14	7-316-245GT	O-RING.....1	1
15		Buffer Seal.....1 (no longer available from supplier)	1
16	7-316-247GT	Self Tapping Screw.....1	1
17	6-4524-32GT	BRONZE BUSHING.....1	1
18	6-4516-24GT	BRONZE BUSHING.....1	1
19		Stroke Limiter.....1 (no longer available from supplier)	1
20	7-316-150GT	LUBE FITTING.....2	2





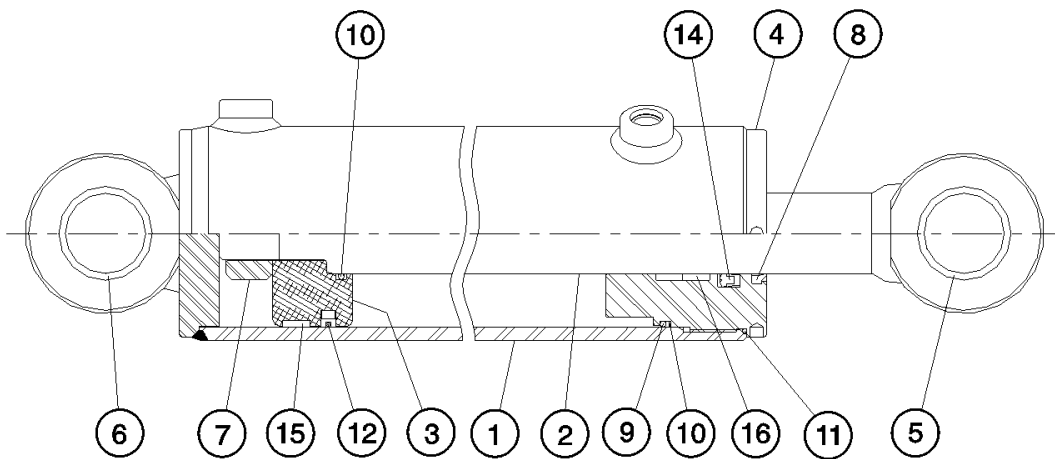
Item	Part No.	Description	Qty.
--	228986GT	KIT,844 LIFT CYL SERV.....1 <i>(piston seal kit)</i>	1
--	7-900-22GT	SEAL KIT / CYLINDER*** <i>(complete seal kit)</i>	
--	T110958GT	CYLINDER,TILT, GTH8XX,GTH644	
1		Ref. Barrel Assembly.....1 <i>(no longer available from supplier)</i>	1
2	7-316-250GT	CYLINDER ROD / FOR 7-316-238 C.....1	1
3	7-316-293GT	Head.....1	1
4	7-316-249GT	Piston.....1	1
5	228987GT	TILT CYL SEAL KIT.....1 <i>complete seal kit (includes piston seal and wear ring which are only available as part of this kit).</i>	1
6		Ref. WEAR RING / 6.00 OD X 1.00.....1	1
7	7-316-246GT	NUT.....1	1
8	7-316-236GT	O-RING, STUB SHAFT.....1	1
9	7-316-83GT	O-RING 5 1/2 ID X 1/4.....1	1
10	7-316-84GT	BACK-UP RING.....1	1
11	7-316-49GT	WEAR RING / HEAD.....2	2
12	7-316-29GT	ROD SEAL.....1	1
13	7-316-35GT	ROD WIPER / 2.50 ID 7-209-34.....1	1
14	7-316-294GT	O-ring.....1	1
15	7-316-247GT	Self Tapping Screw.....1	1
16	6-4516-24GT	BRONZE BUSHING.....1	1
17	6-4516-24GT	BRONZE BUSHING.....1	1
18	7-316-189GT	SPACER / CYLINDER.....1	1
19	7-316-150GT	LUBE FITTING.....1	1

904.1 Boom Cylinder



Item	Part No.	Description	Qty.
--	7-900-23GT	SEAL KIT / CYLINDER*** .....Ref. <i>(includes items 5, 6 and 8-15)</i>	
--	T110960GT	CYLINDER,BOOM EXT,GTH844,644	
1		Barrel Assembly.....1 <i>(no longer available from supplier)</i>	
2	7-316-262GT	CYLINDER ROD 2.50 X 160".....1	
3	7-316-289GT	HEAD / CYLINDER.....1	
4	7-316-263GT	PISTON.....1	
5	7-316-53GT	T-SEAL / 4.00 OD.....1	
6	7-316-232GT	WEAR RING.....2	
7	7-316-74GT	SELF-LOCKING NUT 1.25-12 THD.....1	
8	7-316-87GT	O-RING 1 5/16 ID X 3/32.....1	
9	7-316-85GT	O-RING 3 5/8 ID X 3/16.....1	
10	7-316-86GT	BACK-UP RING.....1	
11	7-316-49GT	WEAR RING / HEAD.....2	
12	7-316-29GT	ROD SEAL.....1	
13	7-316-35GT	ROD WIPER / 2.50 ID 7-209-34.....1	
14	7-316-233GT	WEAR RING.....1	
15	7-316-264GT	O-RING.....1	
16	7-316-247GT	Self Tapping Screw.....1	
17		Ref. Stroke Limiter.....1 <i>(no longer available from supplier)</i>	

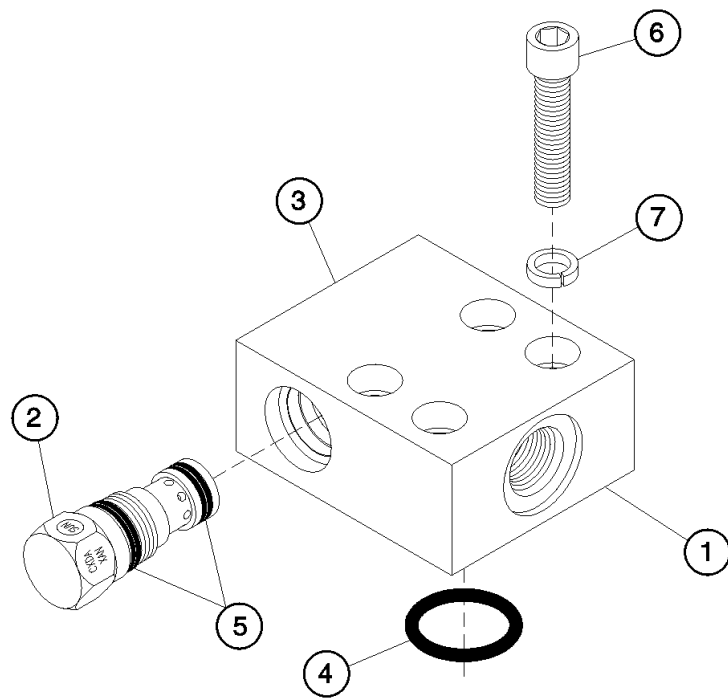
905.1 Sway-rear Lock up Cylinder



## 905.1 Sway-rear Lock up Cylinder

Item	Part No.	Description	Qty.	Item	Part No.	Description	Qty.
A		ref. CYLINDER,SWAY/REAR LOCK-UP*** (replaced 7-182-34) (must replace in pairs on the same axle. Do not mix 7-182-34 and 130809 on the same axle)		11		Ref. Head O-ring.....1 (part not sold separately, order seal kit 7-900-180)	
--	7-900-180GT	SEAL KIT / FOR 7-182-01 SWAY C for 7-182-34 cylinder; includes items 8-16		12		Ref. Piston Seal.....1 (part not sold separately, order seal kit 7-900-180)	
B		ref. CYLINDER,SWAY/REAR LOCK-UP*** GTH-644 from SN 14010; GTH-842/844 from SN 13641		13		Ref. Piston O-ring.....1 (part not sold separately, order seal kit 7-900-180)	
--	130917GT	KIT,SEAL,SWAY CYL.,O.E.MFG. for 130809 cylinder		14		Ref. Rod Seal.....1 (part not sold separately, order seal kit 7-900-180)	
C	1254613GT	CYLINDER,SWAY/REAR LOCK-UP (replaces service part 130809) (seal kit is 1254614)		15		Ref. Piston Wear Ring.....1 (part not sold separately, order seal kit 7-900-180)	
1A	7-182-35GT	Tube Assembly.....1 for 7-182-34 cylinder ( Part no longer available)		16		Ref. Head Wear Ring.....2 (part not sold separately, order seal kit 7-900-180)	
1B	130921GT	ASSY,TUBE,SWAY CYL.,O.E.MFG. for 130809 cylinder					
2A	7-182-36GT	ROD ASSEMBLY / CYLINDER.....1 for 7-182-34 cylinder ( Part no longer available)					
2B	130920GT	ASSY,ROD,SWAY CYL.,O.E.MFG. for 130809 cylinder					
3A	7-182-08GT	Piston.....1 for 7-182-34 cylinder ( Part no longer available)					
3B	130919GT	PISTON,SWAY CYL.,O.E.MFG. for 130809 cylinder					
4A	7-182-09GT	Head.....1 for 7-182-34 cylinder ( Part no longer available)					
4B	130922GT	GLAND,SWAY CYLINDER,O.E.MFG. for 130809 cylinder					
5	7-182-37GT	BUSHING/ROD END.....1 for 7-182-34 cylinder ( Part no longer available)					
6	7-182-38GT	BUSHING/BASE END.....2 for 7-182-34 cylinder ( Part no longer available)					
7A	7-182-13GT	Locknut.....1 for 7-182-34 cylinder ( Part no longer available)					
7B	130918GT	NUT,LOCK,DIN 936,GR 8.8 for 130809 cylinder					
8		Ref. WIPER,ROD.....1 (part not sold separately, order seal kit 7-900-180)					
9		Ref. Head O-ring.....1 (part not sold separately, order seal kit 7-900-180)					
10		Ref. Head Back-up Ring.....1 (part not sold separately, order seal kit 7-900-180)					

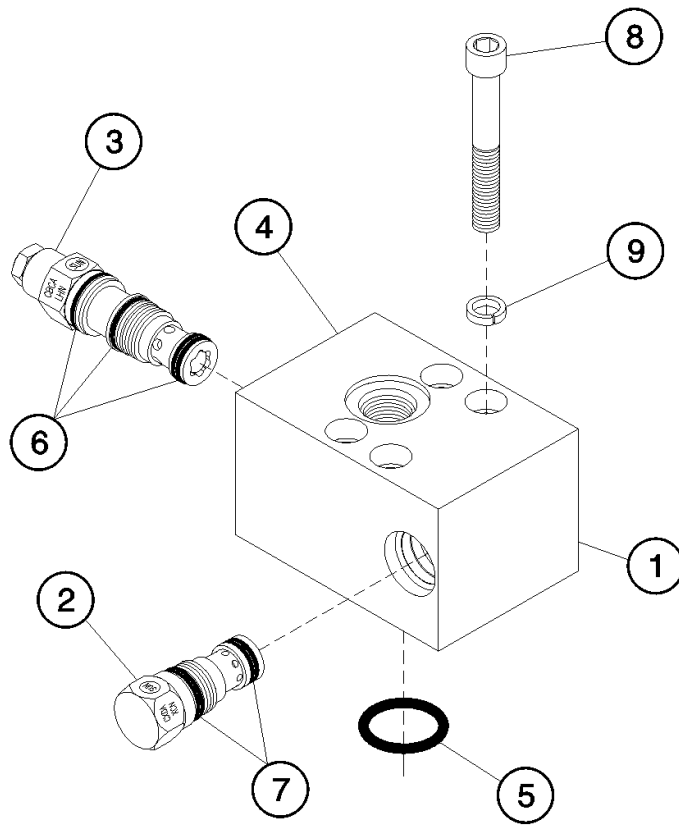
906.1 Motion Valve, Base Tilt Cylinder



## 906.1 Motion Valve, Base Tilt Cylinder

Item	Part No.	Description	Qty.
1	7-234-02GT	VALVE,MOTION.....	1
2	7-234-16GT	CARTRIDGE / CHECK.....	1
3	7-234-24GT	BODY.....	1
4	7-209-61GT	O-RING.....	1
5	7-234-31GT	SEAL KIT.....	1
6	6-5606-14GT	SCREW,SHC,3/8-16 X 1.75.....	4
7	6-6214-06GT	WASHER,LOCK,HI COLLAR,.375.....	4

907.1 Motion Valve, Head Tilt Cylinder

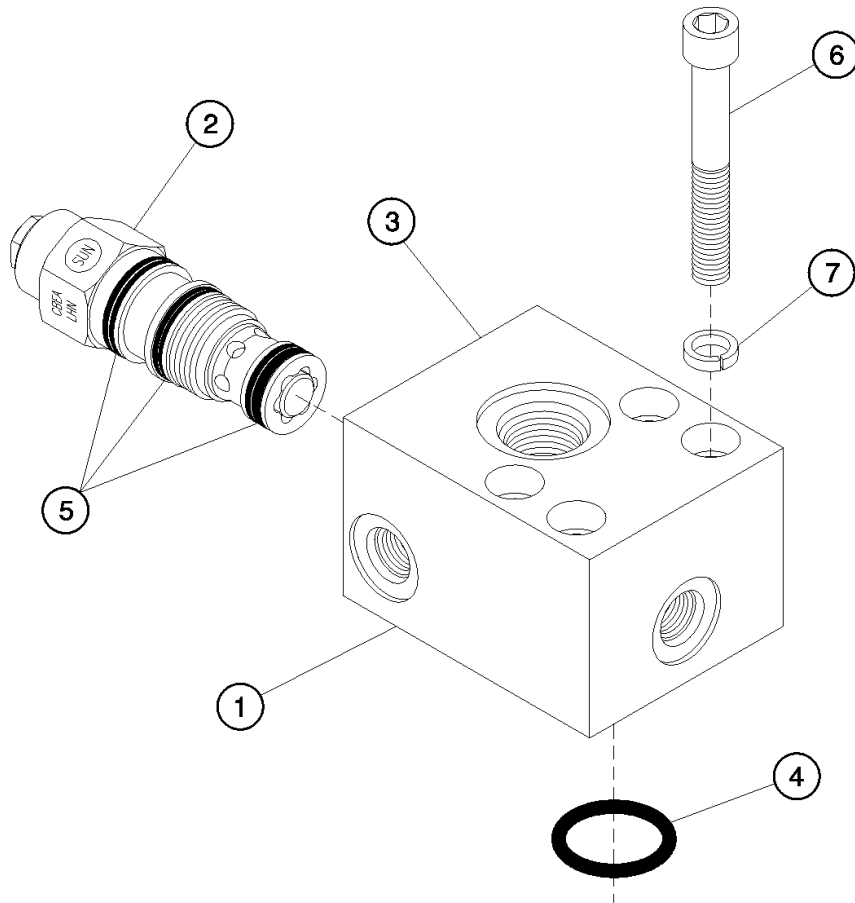




## 907.1 Motion Valve, Head Tilt Cylinder

Item	Part No.	Description	Qty.
1	7-234-01GT	VALVE,MOTION.....	1
2	7-234-80GT	CARTRIDGE / CHECK.....	1
3	7-234-19GT	CARTRIDGE / C-BALANCE***.....	1
4	7-234-25GT	BODY.....	1
5	7-209-61GT	O-RING.....	1
6	7-234-29GT	SEAL KIT.....	1
7	7-234-31GT	SEAL KIT.....	1
8	6-5606-22GT	SCREW,SHC,3/8-16 X 2.75.....	4
9	6-6214-06GT	WASHER,LOCK,HI COLLAR,.375.....	4

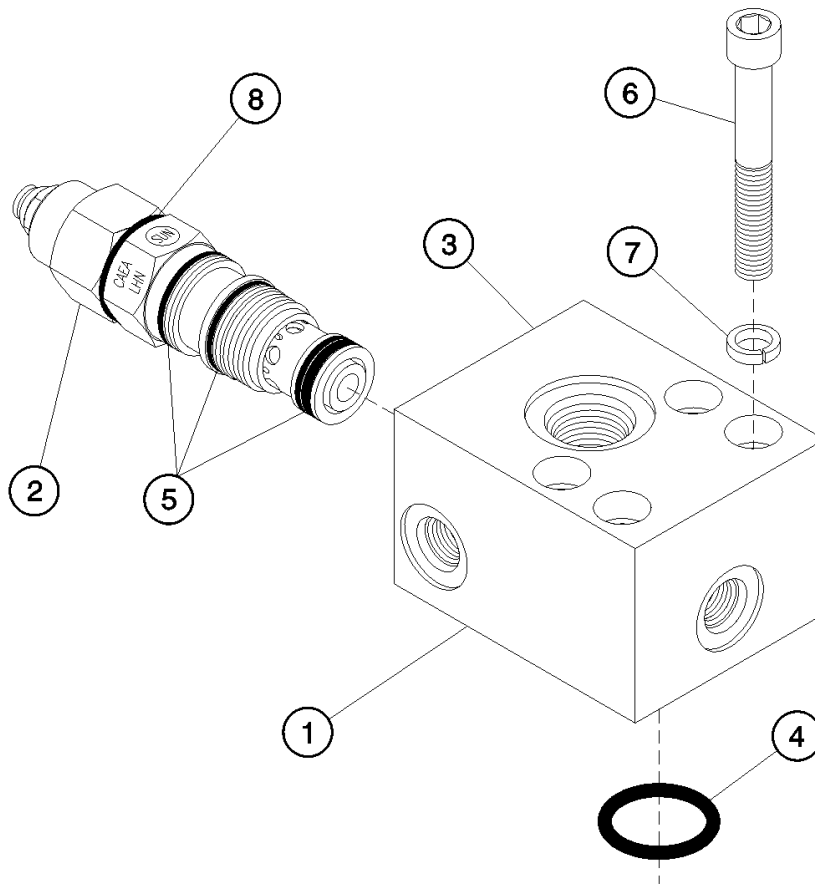
908.1 Motion Valve, Boom Cylinder



## 908.1 Motion Valve, Boom Cylinder

Item	Part No.	Description	Qty.
1	7-234-03GT	VALVE,MOTION.....	1
2	7-234-22GT	CARTRIDGE / C-BALANCE.....	1
3	7-234-03GT	VALVE,MOTION.....	1
4	7-209-61GT	O-RING.....	1
5	7-234-30GT	SEAL KIT.....	1
6	6-5606-22GT	SCREW,SHC,3/8-16 X 2.75.....	4
7	6-6214-06GT	WASHER,LOCK,HI COLLAR,.375.....	4

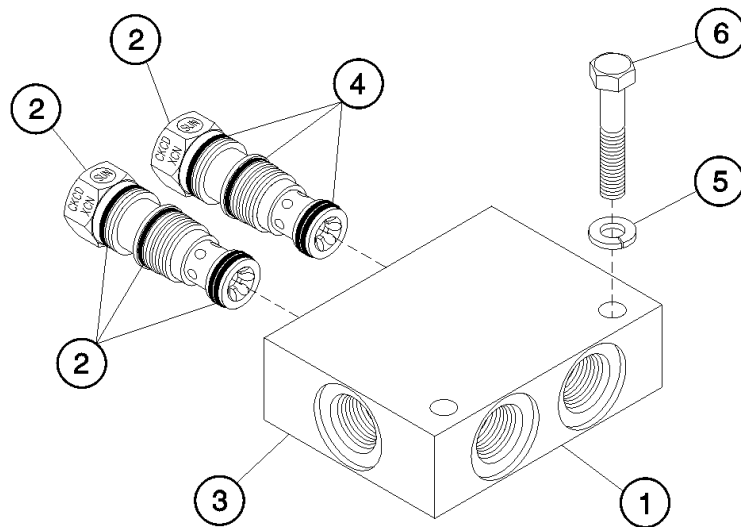
909.1 Motion Valve, Base Lift Cylinder



## 909.1 Motion Valve, Base Lift Cylinder

Item	Part No.	Description	Qty.
1	7-234-54GT	VALVE, MOTION.....	1
2	7-234-53GT	CARTRIDGE / COUNTERBALANCE VALVE.....	1
3	7-234-03GT	VALVE, MOTION.....	1
4	7-209-61GT	O-RING.....	1
5	7-234-30GT	SEAL KIT.....	1
6	6-5606-22GT	SCREW, SHC, 3/8-16 X 2.75.....	4
7	6-6214-06GT	WASHER, LOCK, HI COLLAR, .375.....	4
8	7-234-60GT	O-RING / -021.....	1

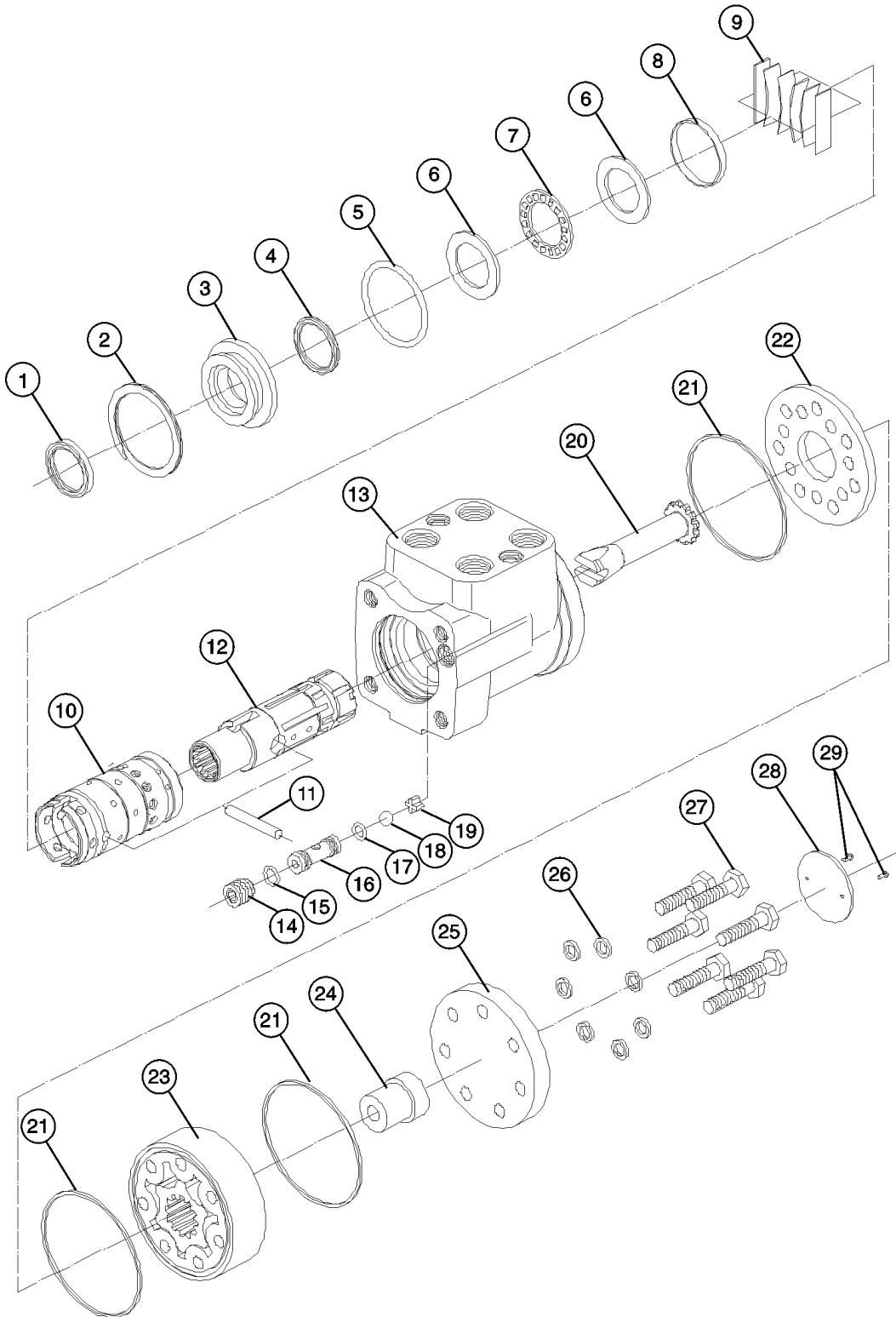
910.1 Dual Pilot Check Valve



## 910.1 Dual Pilot Check Valve

Item	Part No.	Description	Qty.
1	7-234-04GT	VALVE,DUAL CHECK.....	1
2	7-234-18GT	CARTRIDGE / PILOT CHECK.....	2
3	7-234-21GT	BODY.....	1
4	7-234-29GT	SEAL KIT.....	2
5	6-5606-22GT	SCREW,SHC,3/8-16 X 2.75.....	2
6	6-6214-06GT	WASHER,LOCK,HI COLLAR,.375.....	2

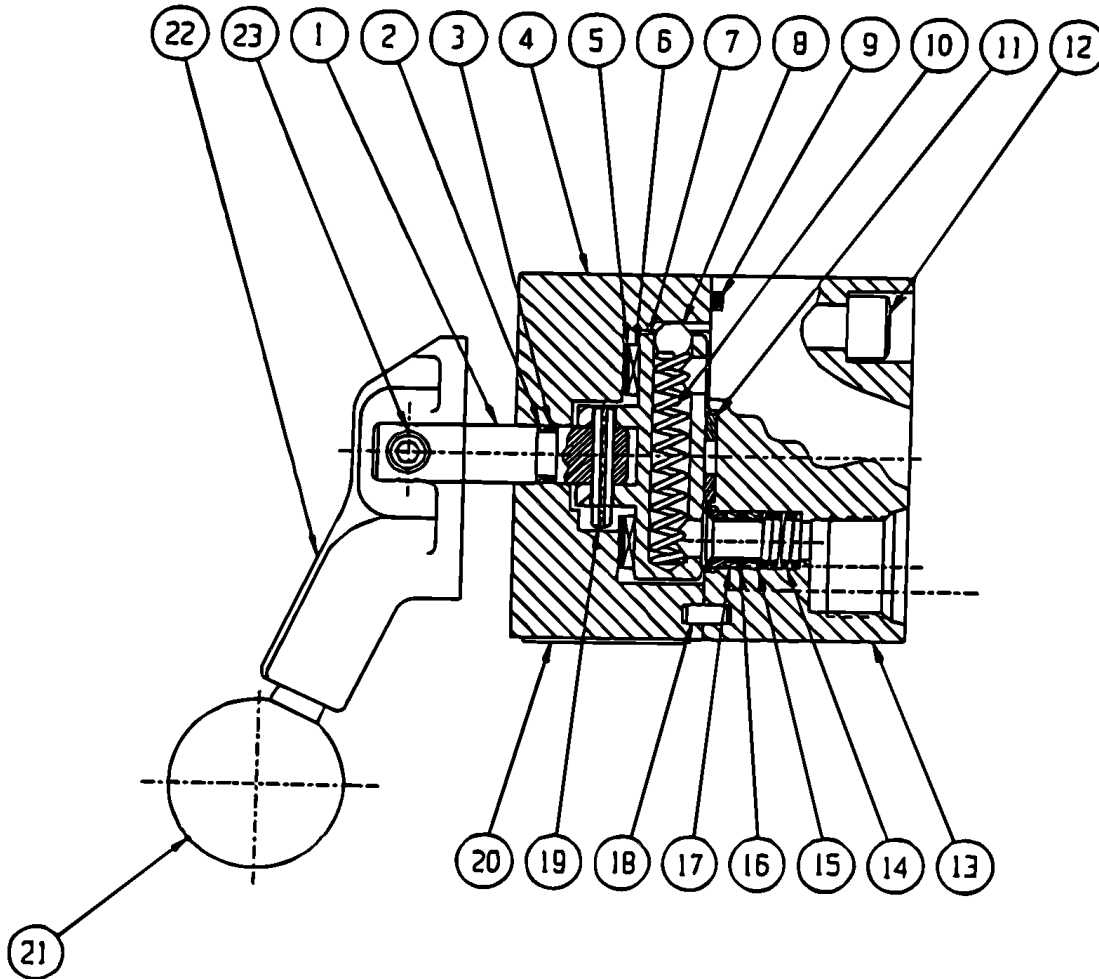
911.1 Orbital Assembly





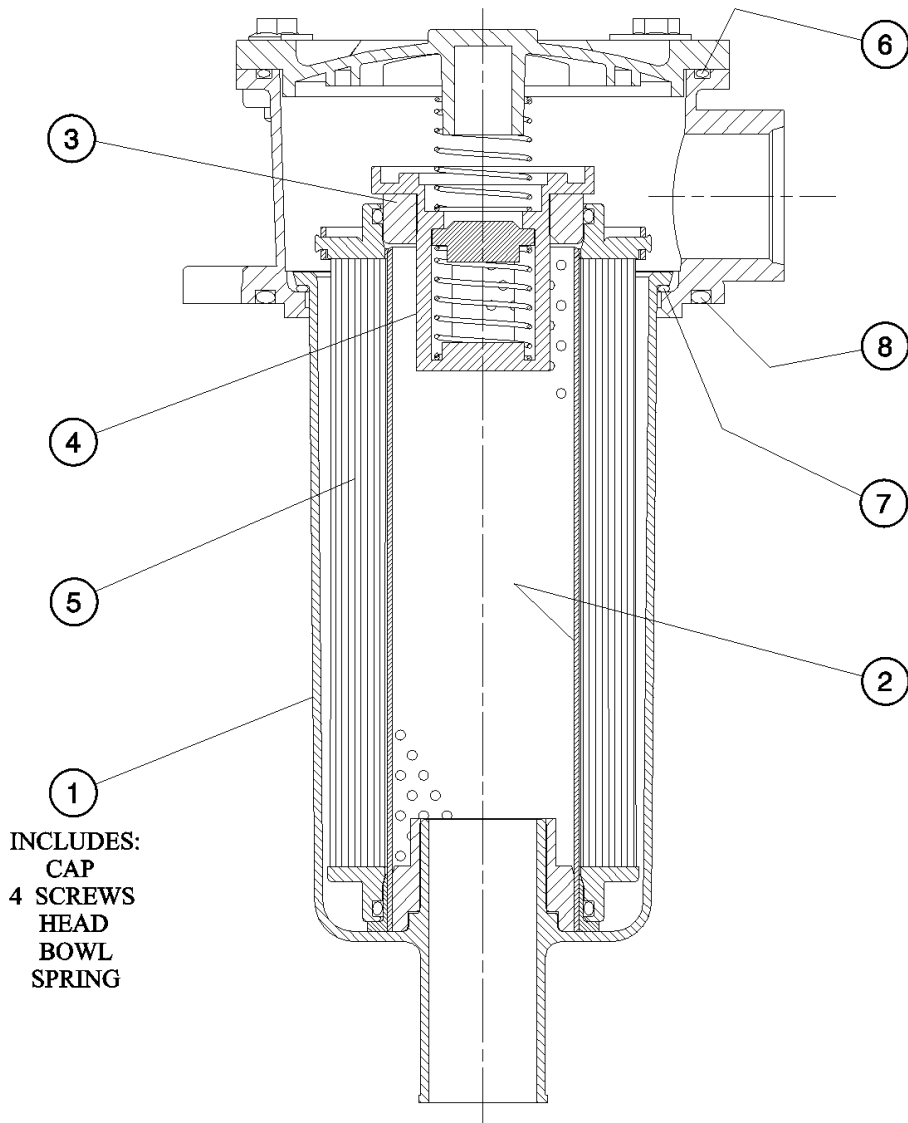
Item	Part No.	Description	Qty.
--	123261GT	STEERING UNIT 250CC TEFLON***.....1	
--	7-147-56GT	SEAL KIT / FOR -48 ORB. <i>(for 123261) includes items 1, 4, 5, 15, 17, and 21</i>	
1		Dust Seal.....1 <i>not available separately</i>	
2		Ref. Retaining Ring.....1	
3		Ref. Front Cover.....1	
4		Ref. X-ring.....1	
5		Ref. O-ring.....1	
6A		Ref. Bearing Race 1.....1	
6B		Ref. Bearing Race 2.....1	
7		Ref. Thrust Bearing.....1	
8		Ref. Ring.....1	
9A		Ref. Spring, Flat.....2	
9B		Ref. Spring.....4	
10		Ref. Control Sleeve.....1 <i>component no longer available</i>	
11		Ref. Pin.....1	
12		Ref. Control Spool.....1 <i>not available separately</i>	
13		Ref. Housing.....1	
14		Ref. Plug.....1	
15		Ref. O-ring.....1	
16		Ref. Valve Seat.....1	
17		Ref. O-ring.....1	
18		Ref. Ball.....1	
19		Ref. Cross Support.....1	
20		Ref. Drive.....1	
21		Ref. Cant Seal.....3	
22		Ref. Distributor Plate.....1	
23		Ref. Gear Wheel Set.....1	
24		Ref. Spacer.....1	
25		Ref. End Cover.....1	
26		Ref. Washer.....7	
27		Ref. Screw.....7	
28		Ref. Name Plate.....1	
29		Ref. Rivet.....1	

912.1 Selector Valve, Steering



Item	Part No.	Description	Qty.
--		Ref. 806.1 for steering circuit diagram	
1		Ref. Shaft.....	1
2	7-359-06GT	BACK-UP RING.....	1
3	7-359-07GT	O-RING.....	1
4		Ref. Housing.....	1
5		Ref. Thrust Washer.....	1
6	7-359-08GT	BEARING.....	1
7	7-359-09GT	ROTOR.....	1
8	7-359-10GT	BALL.....	1
9	7-359-11GT	O-RING.....	1
10	7-359-12GT	SPRING.....	1
11		Ref. Spacer Washer.....	1
12		Ref. Body Screw.....	4
13		Ref. Body.....	1
14	7-359-13GT	SPRING.....	4
15	7-359-14GT	PRESSURE SEAL.....	4
16	7-359-07GT	O-RING.....	4
17	7-359-06GT	BACK-UP RING.....	8
18		Ref. Locating Pin.....	1
19		Ref. Rotor Roll Pin.....	1
20		Ref. Nameplate.....	1
21	7-359-04GT	KNOB.....	1
22	7-359-03GT	5/8 LONG HANDLE.....	1
23		Ref. Set Screw.....	2

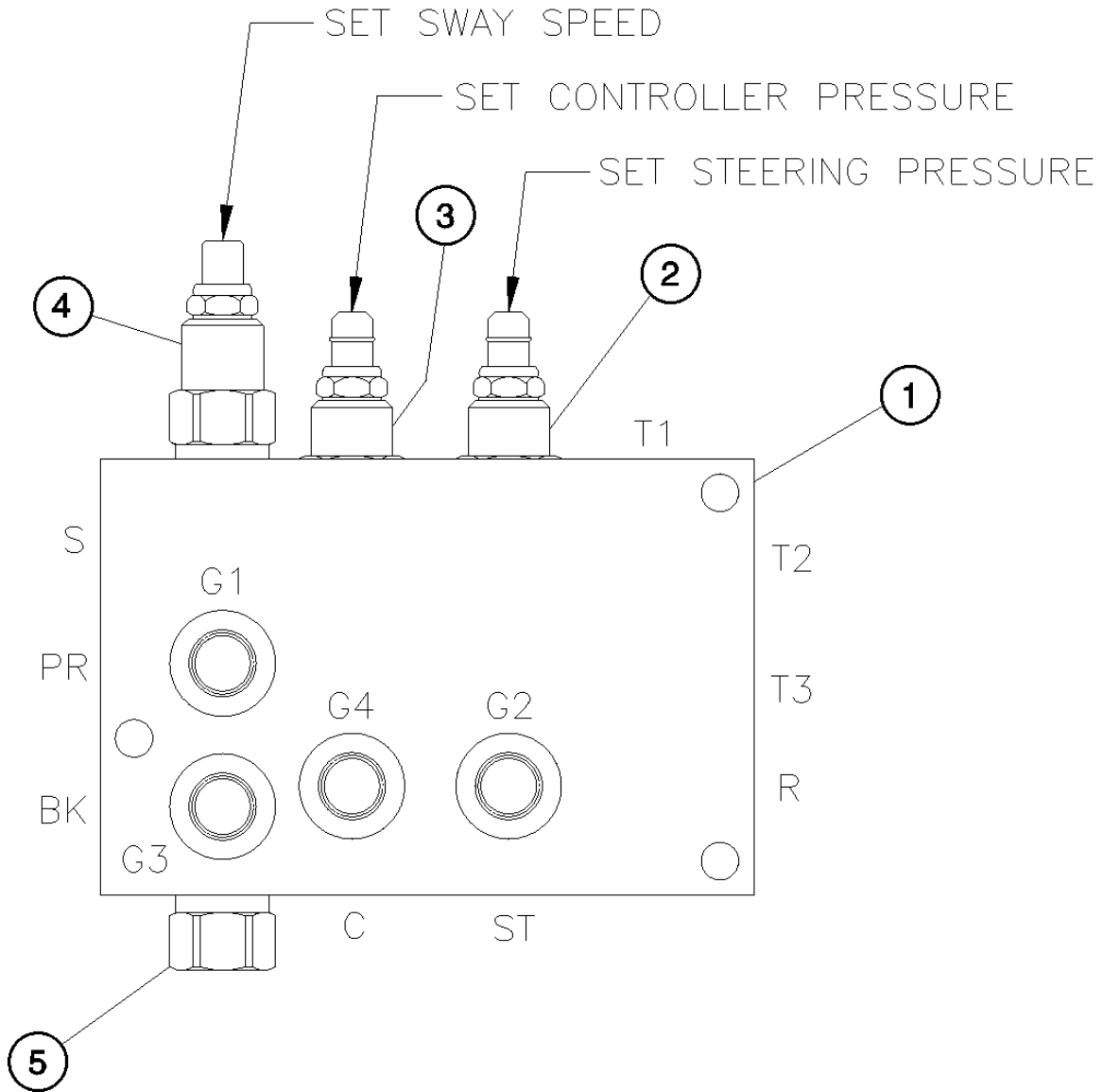
913.1 Return Filter Assembly



## 913.1 Return Filter Assembly

Item	Part No.	Description	Qty.
1	117044GT	RETURN FILTER ASSEMBLY.....	1
--	117567GT	GAUGE,RETURN FILTER	
2	7-118-05GT	CORE ASSY.....	1
3	7-118-06GT	Upper Nipple.....	1
4	7-118-07GT	By-pass Valve for 7-118-01.....	1
5	117043GT	ELEMENT,RETURN FILTER***.....	1
6	7-118-03GT	O-RING.....	1
7	7-118-08GT	O-RING.....	1
8	7-118-09GT	O-RING.....	1

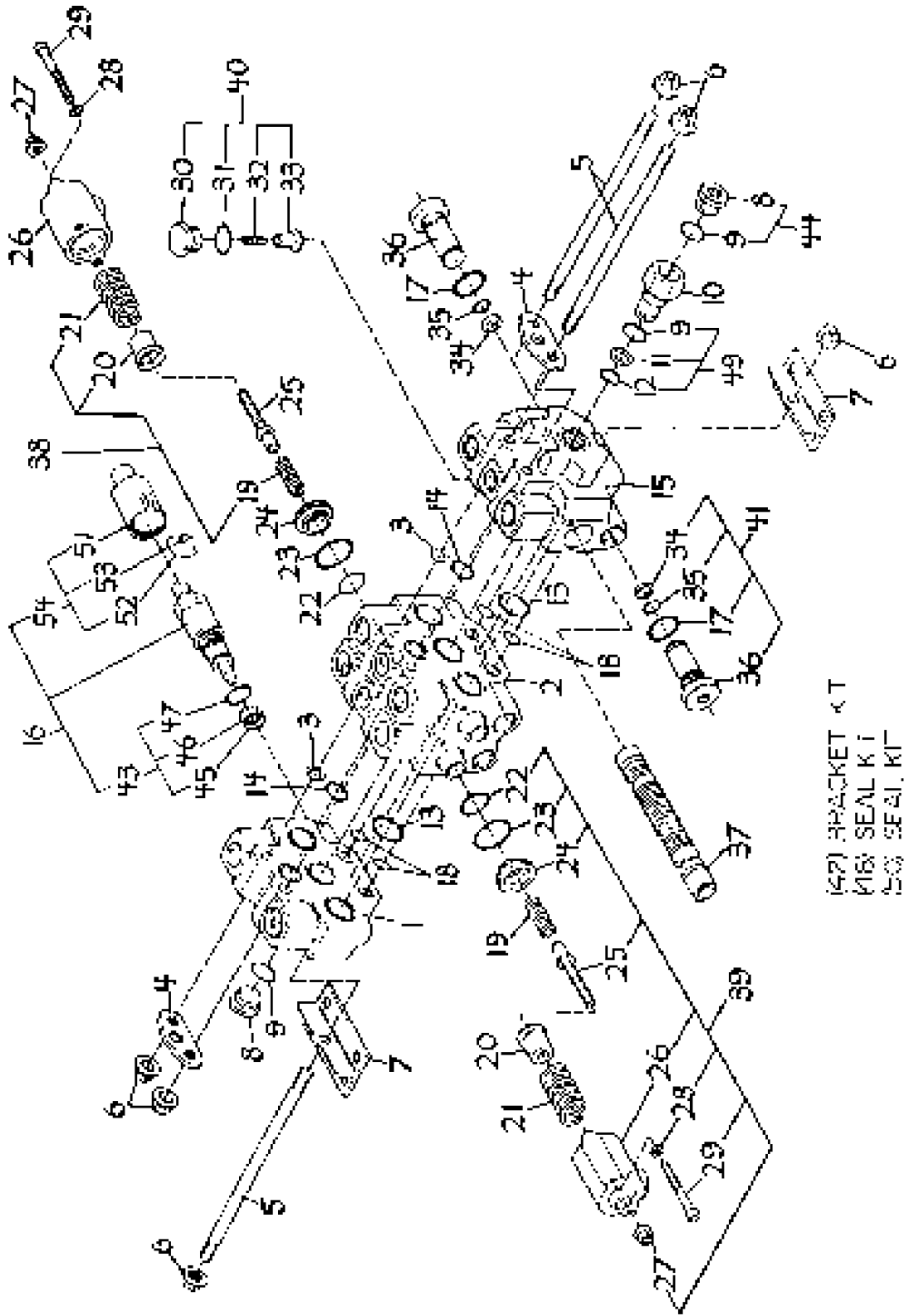
914.1 Control Block Assembly



## 914.1 Control Block Assembly

Item	Part No.	Description	Qty.
--	7-234-94GT	CONTROL BLOCK <i>includes items 1-5</i>	
1	7-234-97GT	Body.....	1
2	7-234-28GT	CARTRIDGE / RELIEVING.....	1
--	43018GT	SEAL KIT (39345)	
3	7-234-13GT	CARTRIDGE / REDUCING.....	1
4	7-234-37GT	CARTRIDGE / NEEDLE.....	1
5	7-234-80GT	CARTRIDGE / CHECK.....	1

915.1 Main Valve Assembly (before GTH0611-14658 and GTH0811-14658)

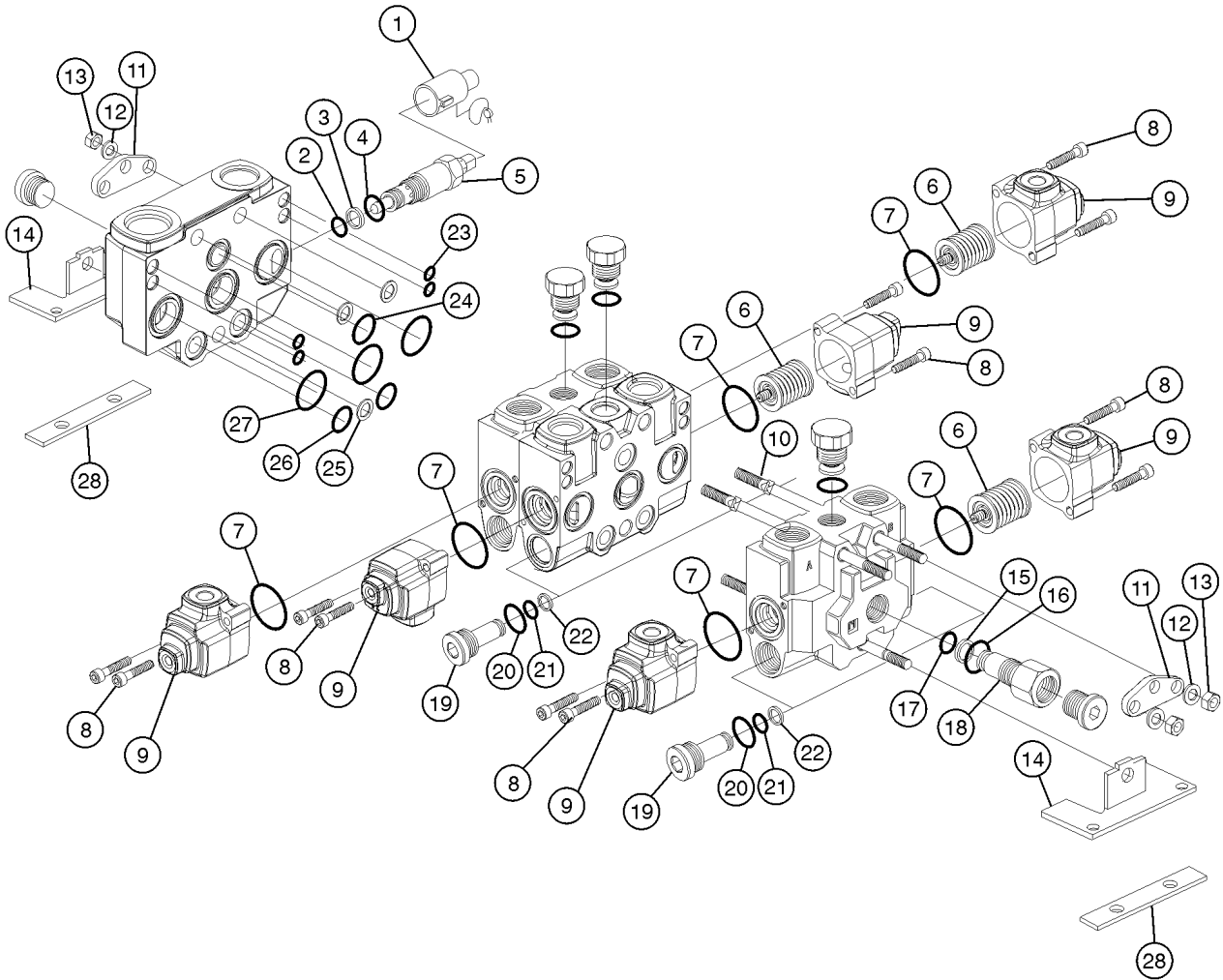




## 915.1 Main Valve Assembly (before GTH0611-14658 and GTH0811-14658)

Item	Part No.	Description	Qty.	Item	Part No.	Description	Qty.
--	7-200-80GT	VALVE, DIRECTIONAL <i>Main Valve Assembly, Complete, to be replaced by 226570</i>		26		Ref. CAP.....6 <i>not available separately. refer to item 39</i>	
1	7-200-117GT	Inlet Section with Spool.....1		27		Ref. NUT.....6 <i>not available separately. refer to item 39</i>	
2	226570GT	VALVE, DIRECTIONAL, F130.....1 <i>(was 7-200-118, replaced by complete valve assembly, 226570)</i>		28		Ref. WASHER.....12 <i>not available separately. refer to item 39</i>	
3		Ref. SPACER.....6 <i>(was 7-200-50, replaced by complete valve assembly, 226570)</i>		29		Ref. SCREW.....12 <i>not available separately. refer to item 39</i>	
4	7-200-91GT	Lifting Lug.....2		30	7-200-64GT	PLUG.....3	
5		TIE ROD.....3 <i>(no longer available, must replace entire valve with 226570)</i>		31	7-200-106GT	O-RING.....3	
6		Ref. FLANGE NUT.....6 <i>(was 7-200-45, replaced by complete valve assembly, 226570)</i>		32	7-200-66GT	SPRING.....3	
7	7-200-46GT	BRACKET.....2		33	7-200-107GT	Poppet.....3	
8		Ref. PLUG.....2 <i>(was 7-200-39, replaced by 226570)</i>		34	7-200-68GT	BACK-UP RING.....6	
9	7-200-37GT	O-RING.....3		35	7-200-69GT	O-RING.....6	
10		Ref. ADAPTOR.....1 <i>(no longer available, must replace entire valve with 226570, however, Genie may still have some short-term inventory available)</i>		36		Ref. PLUG.....6 <i>(was 7-200-70, replaced by complete valve assembly, 226570)</i>	
11	7-200-93GT	BACK-UP RING.....1		37		Ref. Spool.....3	
12	7-200-94GT	O-RING.....1		38	7-200-108GT	SPRING KIT.....Ref.	
13	7-200-95GT	O-RING.....6		39	7-200-109GT	CAP ASSEMBLY.....Ref. <i>(includes items 19-29)</i>	
14	7-200-96GT	O-RING.....2		40	7-200-76GT	CHECK VALVE ASSEMBLY.....Ref.	
15		Ref. Outlet Section with Spool.....1 <i>(was 7-200-119, replaced by complete valve assembly, 226570)</i>		41	7-200-77GT	Y-PLUG ASSEMBLY.....Ref.	
16	7-200-120GT	MAIN RELIEF ASSEMBLY.....1		42		Ref. Bracket Kit.....Ref. <i>includes items 4, 6 and 7; contact factory</i>	
17	7-200-52GT	O-RING.....6		43	7-200-111GT	KIT.....Ref.	
18		Ref. Ref. O-RING.....4 <i>not available separately. refer to item 39</i>		44	7-200-78GT	PLUG ASSEMBLY / U-TYPE.....Ref.	
19		Ref. Spring.....6 <i>not available separately. refer to item 39</i>		45		Ref. O RING.....1 <i>not available separately. refer to item 39</i>	
20		Ref. Centering Spring Casing.....6 <i>not available separately. refer to item 39</i>		46	7-200-113GT	BACK UP RING.....1	
21		Ref. Centering Spring.....6 <i>not available separately. refer to item 39</i>		47	7-200-52GT	O-RING.....1	
22		Ref. O-RING.....6 <i>not available separately. refer to item 39</i>		48	7-200-114GT	KIT.....Ref.	
23		Ref. O-RING.....6 <i>not available separately. refer to item 39</i>		49	7-200-115GT	KIT.....Ref.	
24		Ref. WASHER.....6 <i>not available separately. refer to item 39</i>		50		Ref. KIT / INTERSECTION SEALS.....Ref. <i>(was 7-200-116, replaced by complete valve assembly, 226570)</i>	
25	227784GT	ADJUSTING SCREW KIT.....6 <i>(kit, replaces 7-200-104)</i>		51	7-200-121GT	Sealing Cap.....1	
				52	7-200-122GT	Sealing Wire.....1	
				53	7-200-123GT	Sealing Lead.....1	
				54	7-200-124GT	SEALING CAP KIT.....Ref.	

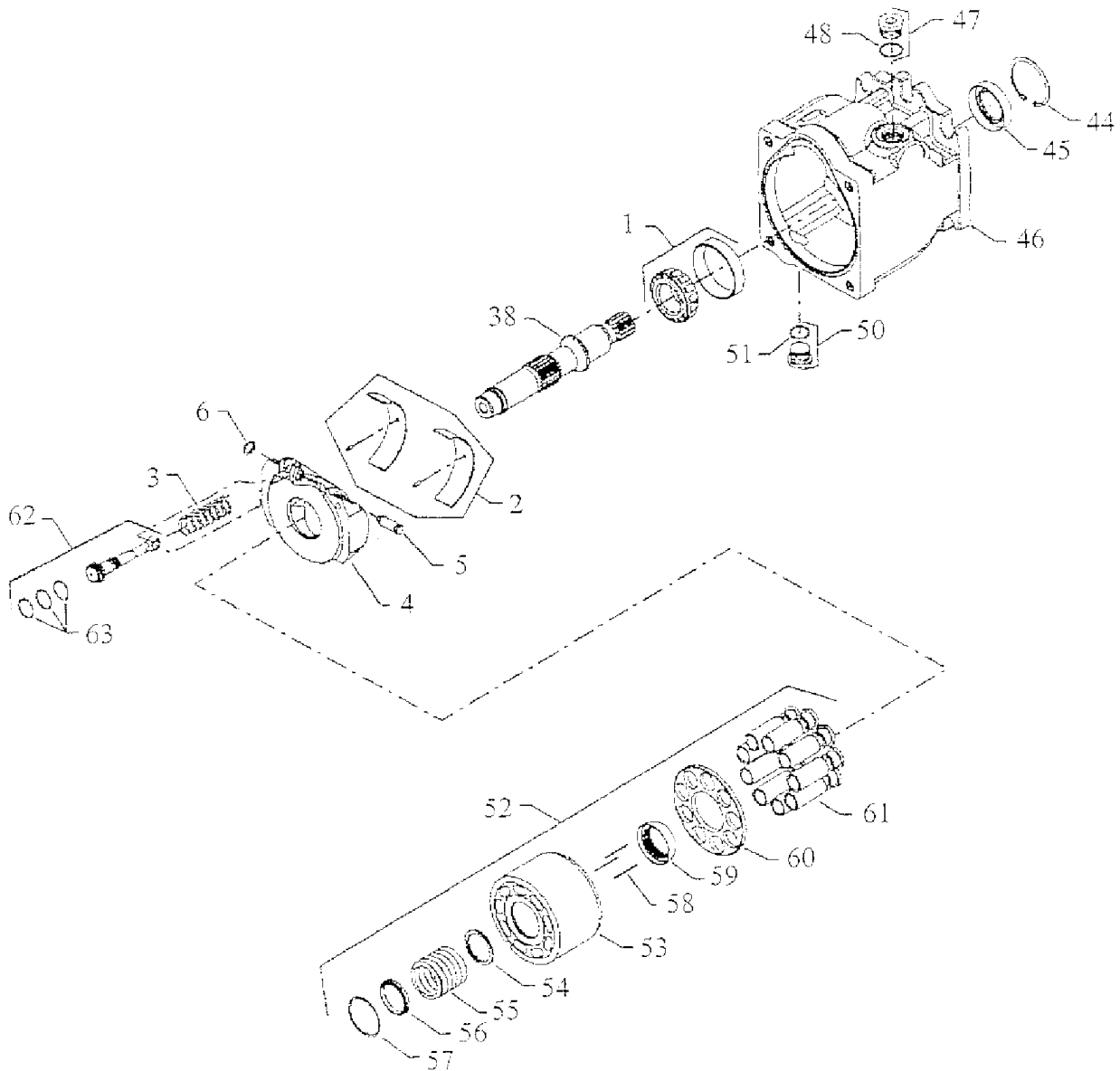
915.2 Main Valve Assembly (from GTH0611-14658 and GTH0811-14658)



## 915.2 Main Valve Assembly (from GTH0611-14658 and GTH0811-14658)

Item	Part No.	Description	Qty.
--	226570GT	VALVE,DIRECTIONAL,F130.....	1
--	45415GT	ELBOW,070221-4-4..... <i>(used when replacing valve 7-200-50)</i>	5
--	6-6450-05GT	CONNECTOR,070120-4-6..... <i>(used when replacing valve 7-200-50)</i>	5
1	226586GT	MAIN RELIEF VALVE SEAL.....	1
2		REF: O-RING	
3		REF: SEAL	
4		REF: O-RING	
5	226585GT	VALVE,RELIEF,250 BAR,F130 VALVE..... <i>(includes items 2, 3, 4, 5)</i>	1
6	226590GT	SPRING PACK,F130.....	3
7		REF: O-RING	
8		REF: SCREW	
9	226583GT	KIT, PILOT CAP, F130..... <i>(includes items 7, 8(2x), 9)</i>	1
10	226587GT	KIT, TIE RODS, F130..... <i>(includes items 10(3x), 11(2x), 12(6x), 13(6x))</i>	1
11		REF: SPACER	
12		REF: WASHER	
13		REF: NUT	
14	226592GT	KIT, BRACKETS, F130..... <i>(includes 2 brackets)</i>	1
15	226584GT	SEAL KIT, F130..... <i>(includes items 15, 16, 17)</i>	1
16		REF: O-RING	
17		REF: O-RING	
18	226589GT	ADAPTOR, F130 <i>(includes items 15, 16, 17, 18)</i>	
19	226588GT	RELIEF, CAVITY PORT, F130 <i>(includes items 19, 20, 21, 22)</i>	
20		REF: O-RING	
21		REF: O-RING	
22		REF: SEAL	
23	226590GT	SPRING PACK,F130..... <i>(includes items 23(4x), 24, 25(3x), 26(2x), 27(3x))</i>	3
24		REF: O-RING	
25		REF: SEAL	
26		REF: O-RING	
27		REF: O-RING	
28	226580GT	SPACER.....	2

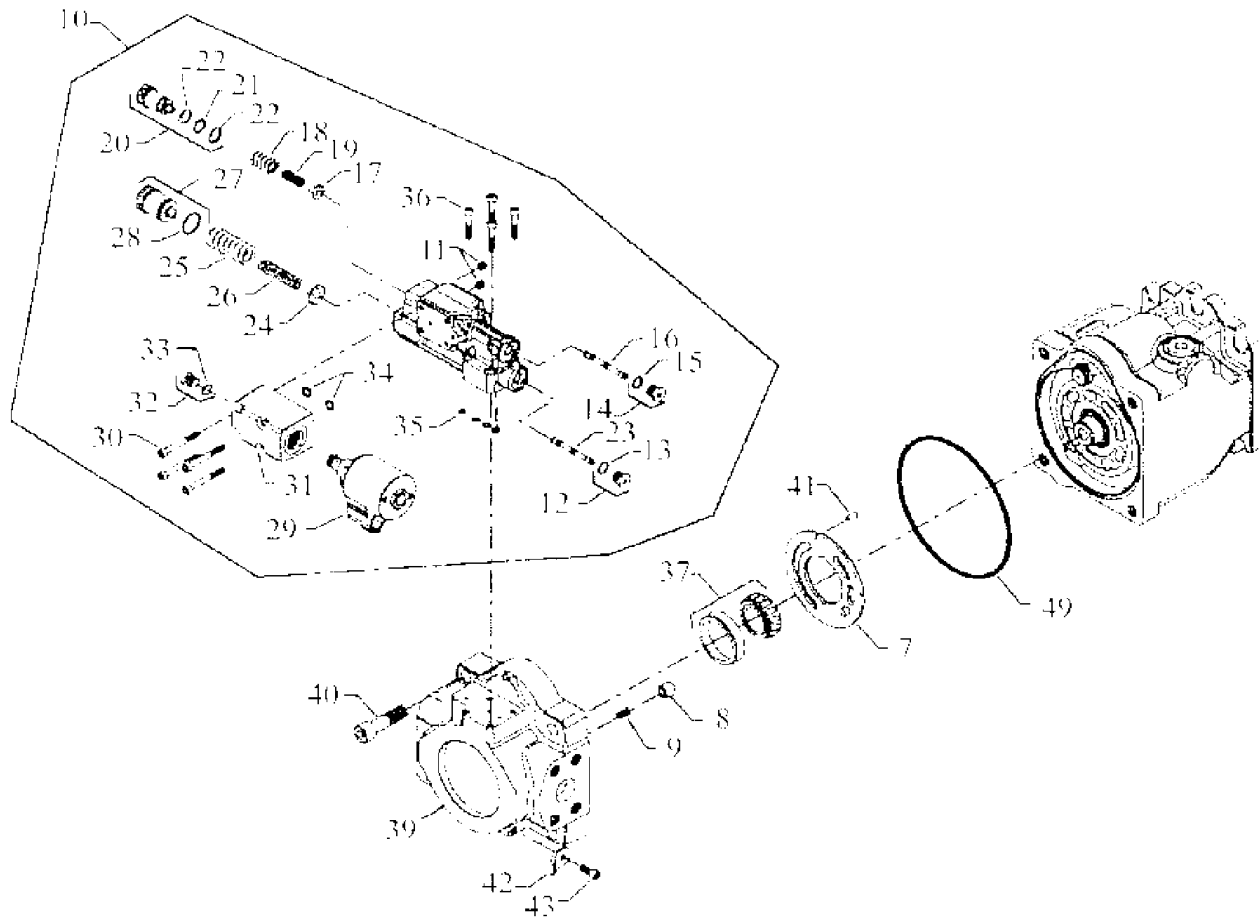
916.1 Hydraulic Pump Assembly, View 1



## 916.1 Hydraulic Pump Assembly, View 1

Item	Part No.	Description	Qty.
--	7-112-63GT	SEAL KIT / PUMP OVERHAUL <i>(includes items 45, 48, 49, 51 and 63)</i>	
1		Ref. Front Bearing Kit.....1 <i>(no longer available)</i>	1
2		Ref. Swashplate Bearing Kit.....1 <i>(no longer available)</i>	1
3	7-112-09GT	Bias Spring.....1	1
4		Ref. Swashplate Assembly.....1 <i>(no longer available)</i>	1
5		Ref. Retainer Shaft.....1 <i>(no longer available)</i>	1
6		Ref. Retaining Ring.....1 <i>(no longer available)</i>	1
38		Ref. Spline Shaft, 14 Tooth.....1 <i>(no longer available)</i>	1
44	7-112-45GT	Retaining Ring.....1	1
45	7-112-46GT	LIP SEAL.....1	1
46		Ref. Housing.....1 <i>(no longer available)</i>	1
47		Ref. Plug Assembly.....1 <i>(no longer available)</i>	1
48		Ref. O-ring.....1 <i>(no longer available)</i>	1
50		Ref. Plug Assembly.....1 <i>(no longer available)</i>	1
51		Ref. O-ring.....1 <i>(no longer available)</i>	1
52		Ref. Cylinder Block Kit.....1 <i>(no longer available)</i>	1
53		Ref. Cylinder Block.....1 <i>(no longer available)</i>	1
54		Ref. Spring Seat.....1 <i>(no longer available)</i>	1
55		Ref. Spring.....1 <i>(no longer available)</i>	1
56		Ref. Spring Seat.....1 <i>(no longer available)</i>	1
57		Ref. Retaining Ring.....1 <i>(no longer available)</i>	1
58		Ref. Hold Down Pin.....3 <i>(no longer available)</i>	3
59		Ref. Slipper Retainer Guide.....1 <i>(no longer available)</i>	1
60		Ref. Slipper Retainer.....1 <i>(no longer available)</i>	1
61		Ref. Piston Assembly.....9 <i>(no longer available)</i>	9
62	7-112-61GT	Servo Piston Assembly.....1	1
63	7-112-62GT	Piston Ring.....3	3

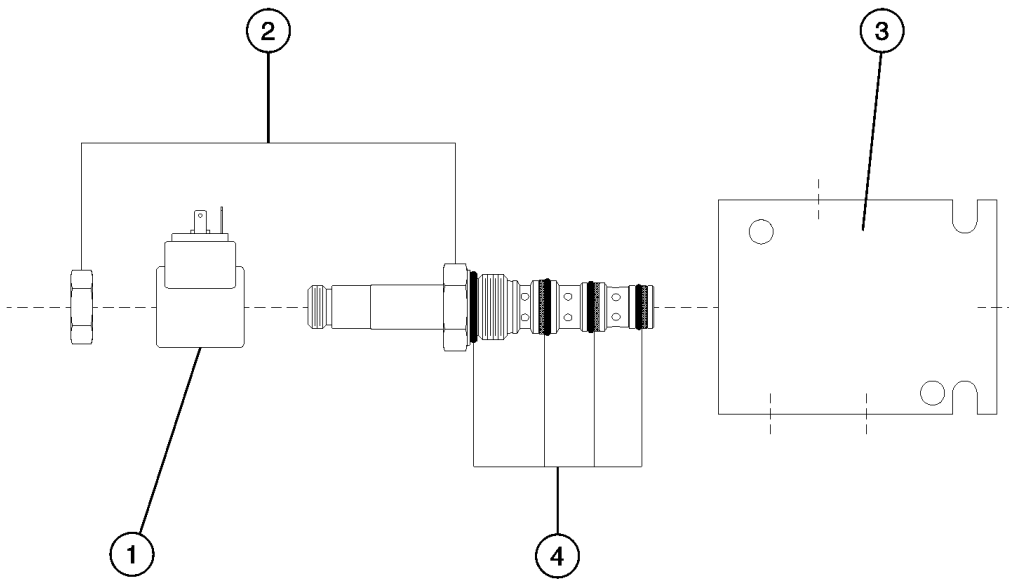
917.1 Hydraulic Pump Assembly, View 2



## 917.1 Hydraulic Pump Assembly, View 2

Item	Part No.	Description	Qty.	Item	Part No.	Description	Qty.
--	7-112-63GT	SEAL KIT / PUMP OVERHAUL <i>includes items 13, 15, 21, 22, 28 and 33-35</i>		42		Ref. Lifting Bracket.....1 <i>(no longer available)</i>	
7		Ref. Valve Plate, CW.....1 <i>(no longer available)</i>		43		Ref. Screw.....1 <i>(no longer available)</i>	
8		Ref. Check Valve Poppet.....1 <i>(no longer available)</i>		49		Ref. End Cap Seal.....1 <i>(no longer available)</i>	
9		Ref. Spring.....1 <i>(no longer available)</i>					
10	7-112-16GT	CONTROL KIT.....1					
11		Ref. Screw.....2 <i>(no longer available)</i>					
12	7-112-18GT	PLUG ASSEMBLY.....1					
13	7-112-19GT	O-RING.....1					
14	7-112-18GT	PLUG ASSEMBLY.....1					
15	7-112-19GT	O-RING.....1					
16	7-112-20GT	REMOTE PC SPOOL.....1					
17	7-112-21GT	SPRING GUIDE, LEFT SIDE.....1					
18	7-112-22GT	OUTER SPRING, LEFT SIDE.....1					
19	7-112-23GT	INNER SPRING, LEFT SIDE.....1					
20	130351GT	PLUG-LS ADJUSTING.....1					
21	7-112-25GT	O-RING.....1					
22		Ref. BACK-UP RING.....2 <i>(no longer available)</i>					
23		Ref. Control Spool.....1 <i>(no longer available)</i>					
24		Ref. Spring Guide, PC.....1 <i>(no longer available)</i>					
25	7-112-29GT	OUTER SPRING/PC.....1					
26	7-112-30GT	INNER SPRING/PC.....1					
27	7-112-31GT	PLUG / PC / w/O-RING.....1					
28	7-112-32GT	O-RING.....1					
29	7-112-33GT	SOLENOID VALVE ASSEMBLY.....1					
30		Ref. Screw.....4 <i>(no longer available)</i>					
31	7-112-35GT	Solenoid Valve Adapter.....1					
32	7-112-18GT	PLUG ASSEMBLY.....1					
33	7-112-19GT	O-RING.....1					
34	7-112-36GT	RING SEAL.....2					
35	7-112-36GT	RING SEAL.....4					
36		Ref. Screw.....4 <i>(no longer available)</i>					
37		Ref. Rear Bearing Kit.....1 <i>(no longer available)</i>					
39	7-112-40GT	RADIAL END CAP.....1					
40		Ref. Screw.....4 <i>(no longer available)</i>					
41		Ref. Slotted Pin.....1 <i>(no longer available)</i>					

918.1 Electric Valve, 4 -Way

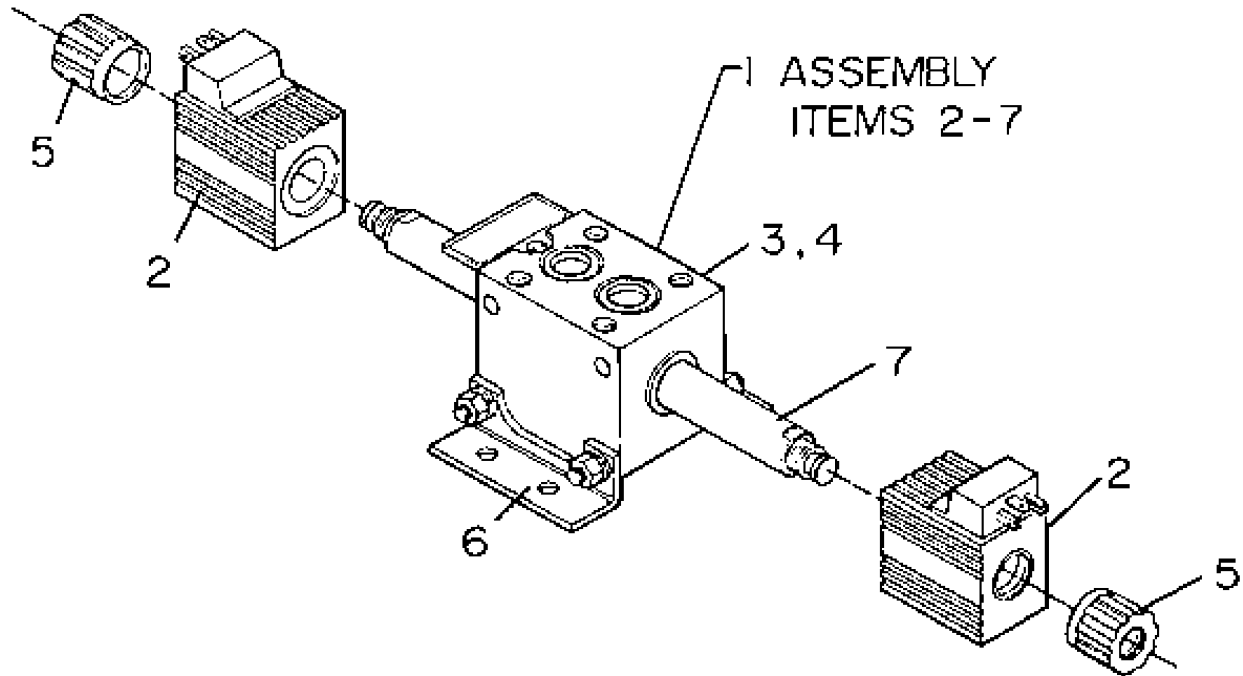




## 918.1 Electric Valve, 4 -Way

Item	Part No.	Description	Qty.
--	7-244-31GT	VALVE,ELECTRIC 4WAY <i>includes items 1-2</i>	
1	7-367-05GT	COIL.....	1
2	7-367-10GT	CARTRIDGE.....	1
3	7-367-11GT	VALVE BODY..... <i>(manifold)</i>	1
4	7-367-19GT	SEAL KIT.....	1

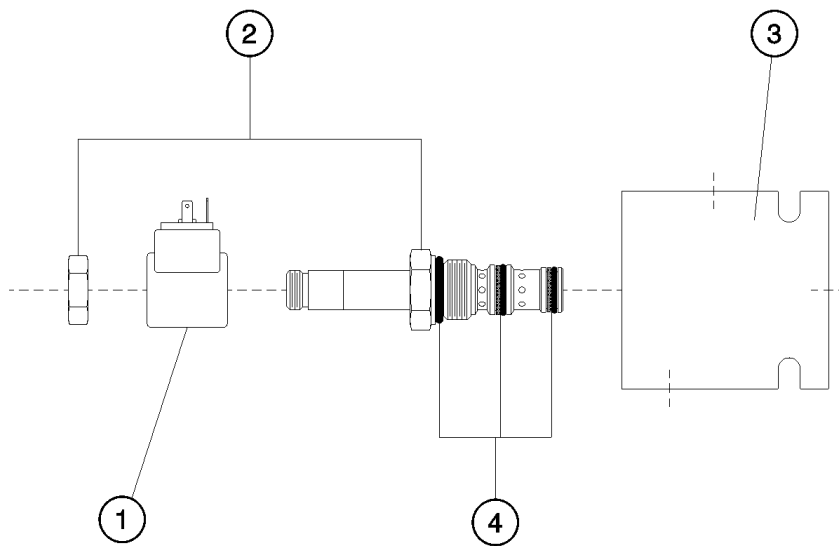
919.1 Electric Valve Assembly, 4 -Way



## 919.1 Electric Valve Assembly, 4 -Way

Item	Part No.	Description	Qty.
1	7-244-31GT	VALVE,ELECTRIC 4WAY.....1 <i>(includes items 2-7)</i>	
2		Ref. COIL DIN CONNECTOR.....2 <i>(no longer available)</i>	
3		Ref. SPOOL for 7-244-11 & 7-244-31.....1 <i>(no longer available)</i>	
4		Ref. VALVE BLOCK for 7-244-11 & -31....1 <i>(no longer available)</i>	
5		Ref. CAP.....2 <i>(no longer available)</i>	
6		Ref. BRACKET ASSEMBLY.....1 <i>(no longer available)</i>	
7		Ref. TUBE / SPOOL ACTUATING.....1 <i>(no longer available)</i>	

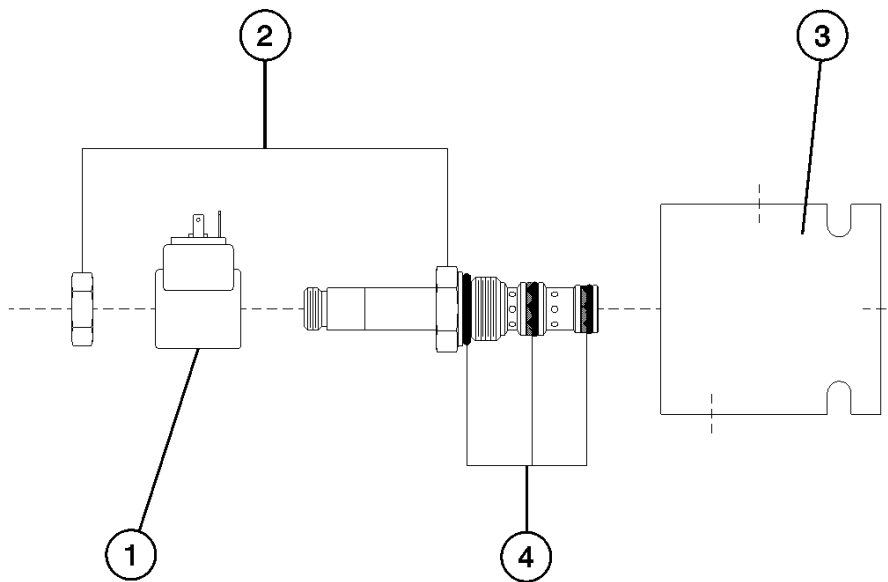
920.1 Valve, Boom Activated Rear-Lock



920.1 Valve, Boom Activated Rear-Lock

Item	Part No.	Description	Qty.
1	7-367-05GT	COIL.....	1
2	7-367-14GT	CARTRIDGE.....	1
3	7-367-04GT	BODY.....	1
4	7-367-18GT	SEAL KIT.....	Ref.

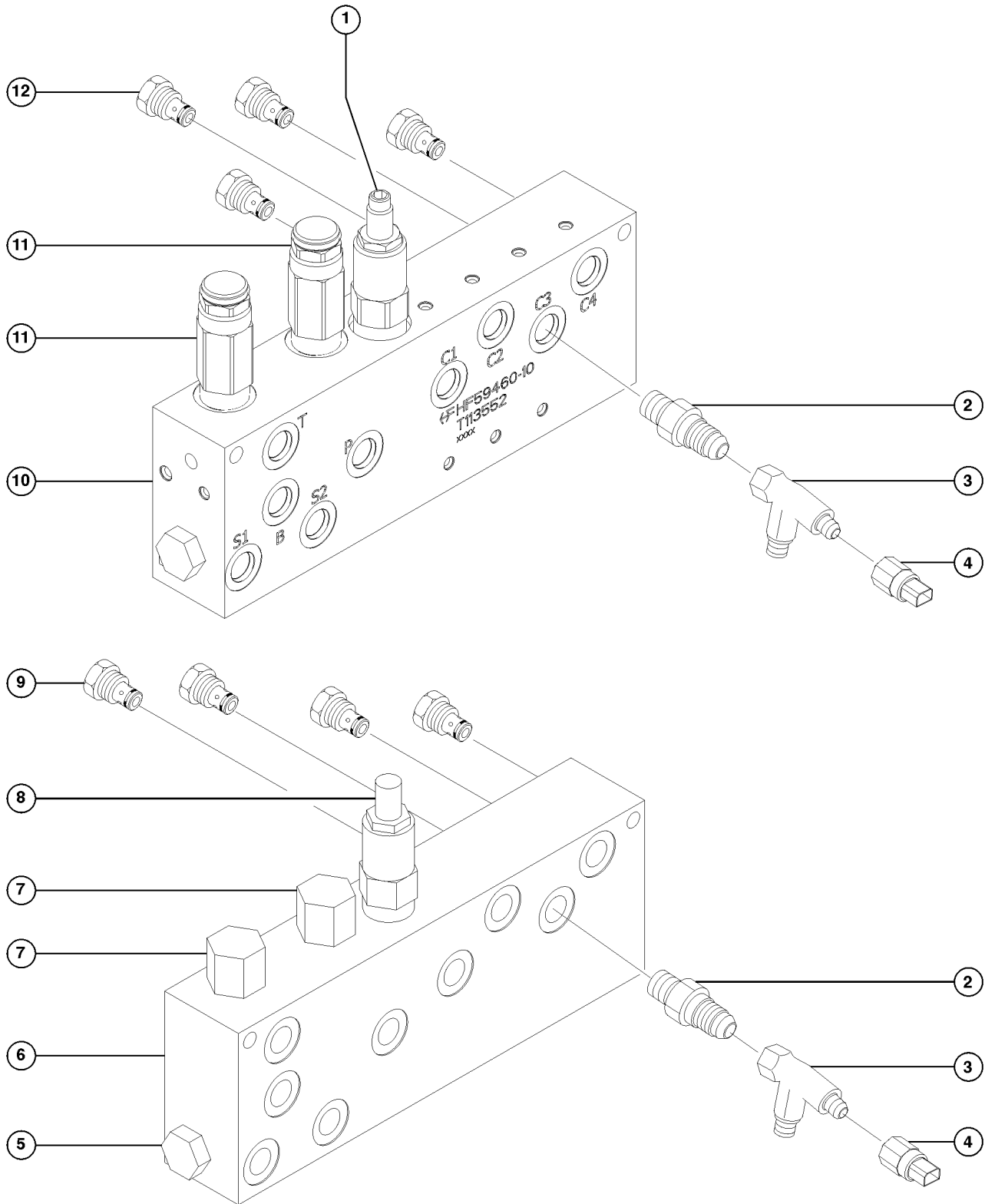
921.1 Valve, Parking Brake and Differential Lock



921.1 Valve, Parking Brake and Differential Lock

Item	Part No.	Description	Qty.
1	7-367-05GT	COIL.....	1
2	7-367-03GT	CARTRIDGE / DIFF.LOCK.....	1
3	7-367-04GT	BODY.....	1
4	7-367-18GT	SEAL KIT.....	Ref.

922.1 Rear Lockup Manifold

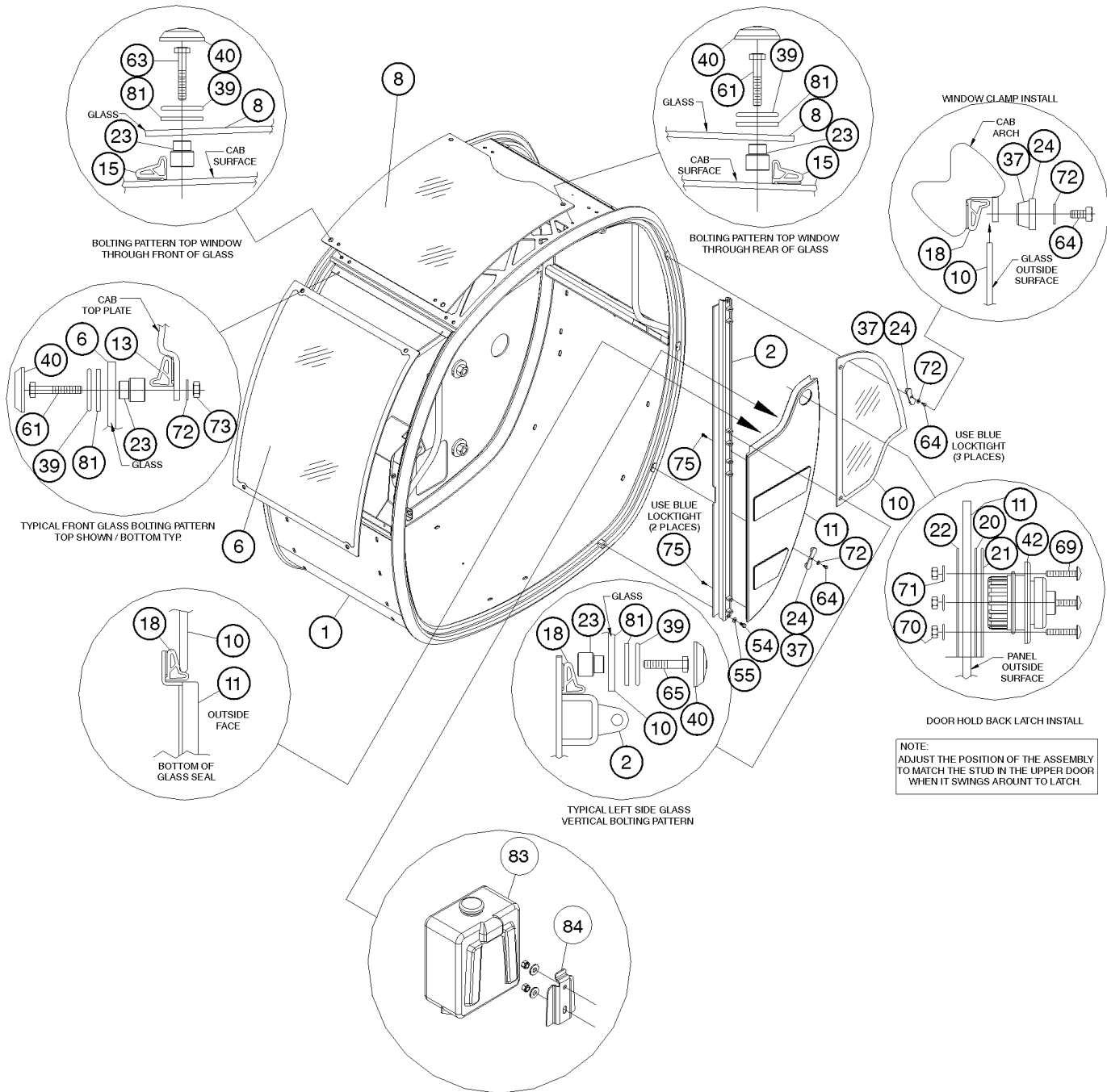




## 922.1 Rear Lockup Manifold

Item	Part No.	Description	Qty.
1	226404GT	VALVE PRESSURE REDUCING.....1	
--	226406GT	SEAL KIT,DIR VALVE,3W2P	
2	141650GT	ADAPTER,04 FORB X02 MP.....1	
3	141654GT	6 FJIC SW X 6 MJIC RN X 4 ORBT.....1	
4	117659GT	SWITCH,PRESS,NO,50 PSI,04 OR.....1	
--	141653GT	KIT,BRAKE LT PS-FIELD REPLACE.....1	
5	7-321-90GT	CARTRIDGE / SHUTTLE.....1	
6	7-168-02GT	REAR LOCK UP BLOCK ASSEMBLY.....1	
7	7-304-07GT	CARTRIDGE / MODULAR CONTROL....2	
8	7-321-89GT	CARTRIDGE / REDUCING-RELIEVING.....1	
9	7-321-88GT	CARTRIDGE / PILOT CHECK.....4	
10	T113552GT	MANIFOLD, REAR LOCKUP.....1	
11	226403GT	VALVE,DIRECTIONAL,3W2P.....2	
--	226407GT	SEAL KIT,PRESSURE REDUCING	
12	226405GT	VALVE,PO CHECK.....4	
--	105695GT	SEAL KIT	

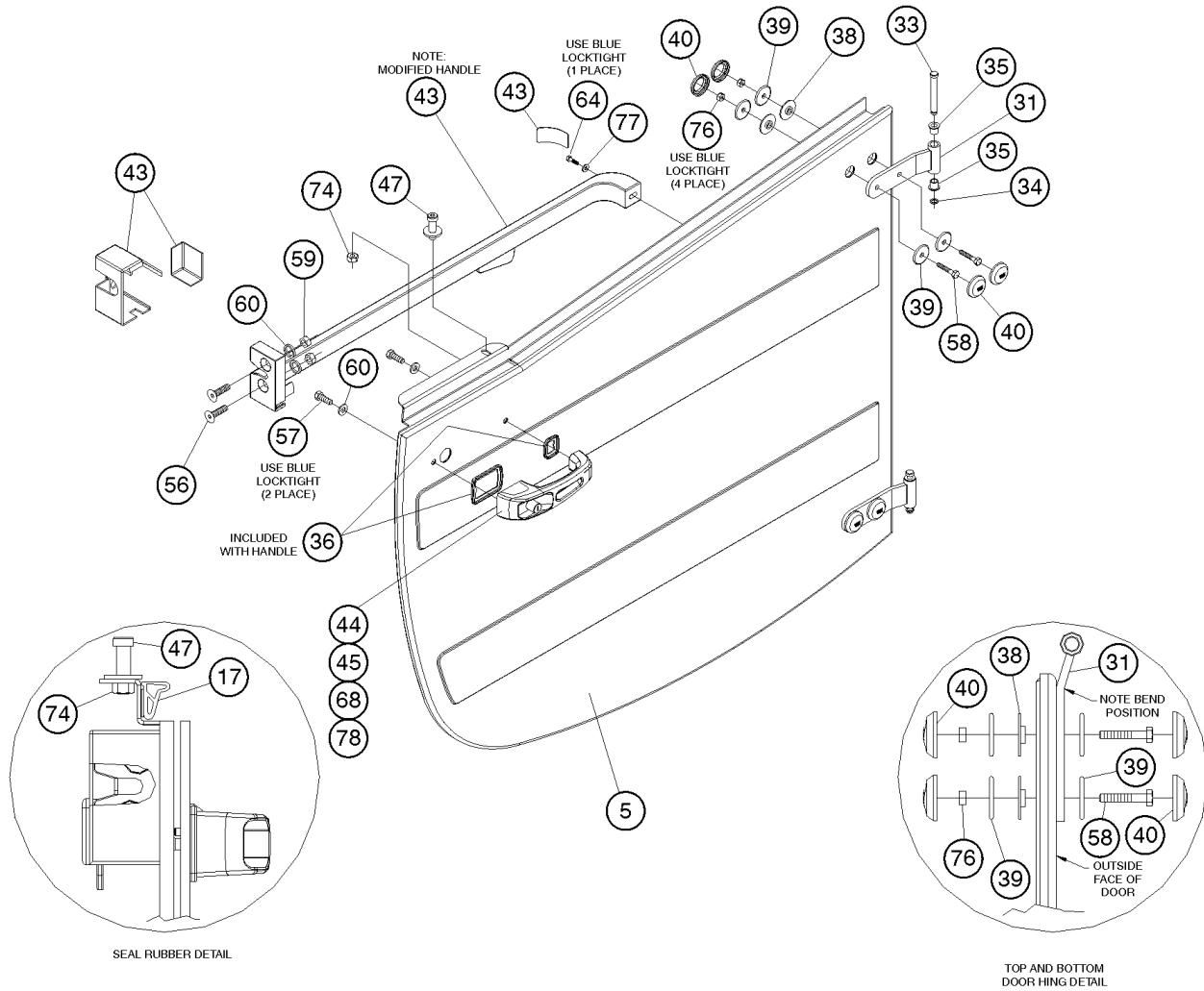
1001.1 Fully Enclosed Cab Assembly, View 1



## 1001.1 Fully Enclosed Cab Assembly, View 1

Item	Part No.	Description	Qty.
--		SIKA GLUE (7-132-05) <i>adhesive used to secure glass panels on SAF-T-CAB; source locally</i>	
1	7-132-141GT	CAB, OPEN.....	1
2	7-132-232GT	DOOR POST / STC III.....	1
6	130297GT	GLASS / WINDSHIELD / SAF-T-CAB.....	1
8	130296GT	GLASS / TOP SKYLIGHT / SAF-T-C.....	1
10	7-132-223GT	WINDOW / LH / UPPER REAR.....	1
11	7-132-235GT	PANEL,LH REAR LOWER,STCIII.....	1
13	7-132-193GT	Glass seal.....	136"
15	7-132-193GT	Glass seal.....	124"
18	7-132-193GT	Glass seal.....	166"
20	7-132-195GT	GASKET / DOOR HOLD-BACK.....	1
21	7-132-188GT	RING / DOOR HOLD BACK MOUNT.....	1
22	7-132-236GT	RING/DOOR HOLDBACK MOUNT/INNER.....	1
23	7-132-247GT	SPACER / GLASS.....	14
24	7-132-145GT	CLIP / GLASS RETAINER.....	5
37	7-132-164GT	RUBBER BUMPER / STICK ON.....	10
39	7-132-84GT	WASHER,STC PLASTIC COVER.....	30
40	7-132-74GT	COVER,STC PLASTIC BOLT.....	30
42	7-132-197GT	LATCH / DOOR HOLD BACK.....	1
54	77692GT	SCREW,HHC,3/8-16 X 1 GRD 8.....	2
55	19934GT	WASHER,3/8 HARD.STEEL-FLAT,USS.....	2
61	6-5204-12GT	SCREW,HHC,1/4-20 X1.50,GR8.....	8
63	6-5205-12GT	SCREW,HHC,5/16-18X1.50,GR8.....	2
64	6-5204-04GT	SCREW,HHC,1/4-20X.5,GR8.....	6
65	6-5204-10GT	SCREW,1/4-20 X 1.25,GR8.....	8
69	7-173-26GT	BOLT / #10-24 x 3/4 BUTTON HEA.....	3
70	6-6286-05GT	NUT / SELF LOCKING.....	3
71	6146GT	WASHER,FLAT,MS,#10,Y.....	3
72	6-6212-04GT	WASHER,FLAT,.250, HARDENED.....	23
73	6091GT	NUT,NYLOCK,1/4-20.....	10
75	6-5204-06GT	SCREW,HHC,1/4-20X.75,GR8.....	2
81	7-132-246GT	RUBBER SEAL WASHER.....	14
83	123245GT	WASHER BOTTLE/BRACKET ASSY <i>Includes items 83- and 84</i>	
84	123222GT	BRACKET,WASHER RESERVOIR.....	1

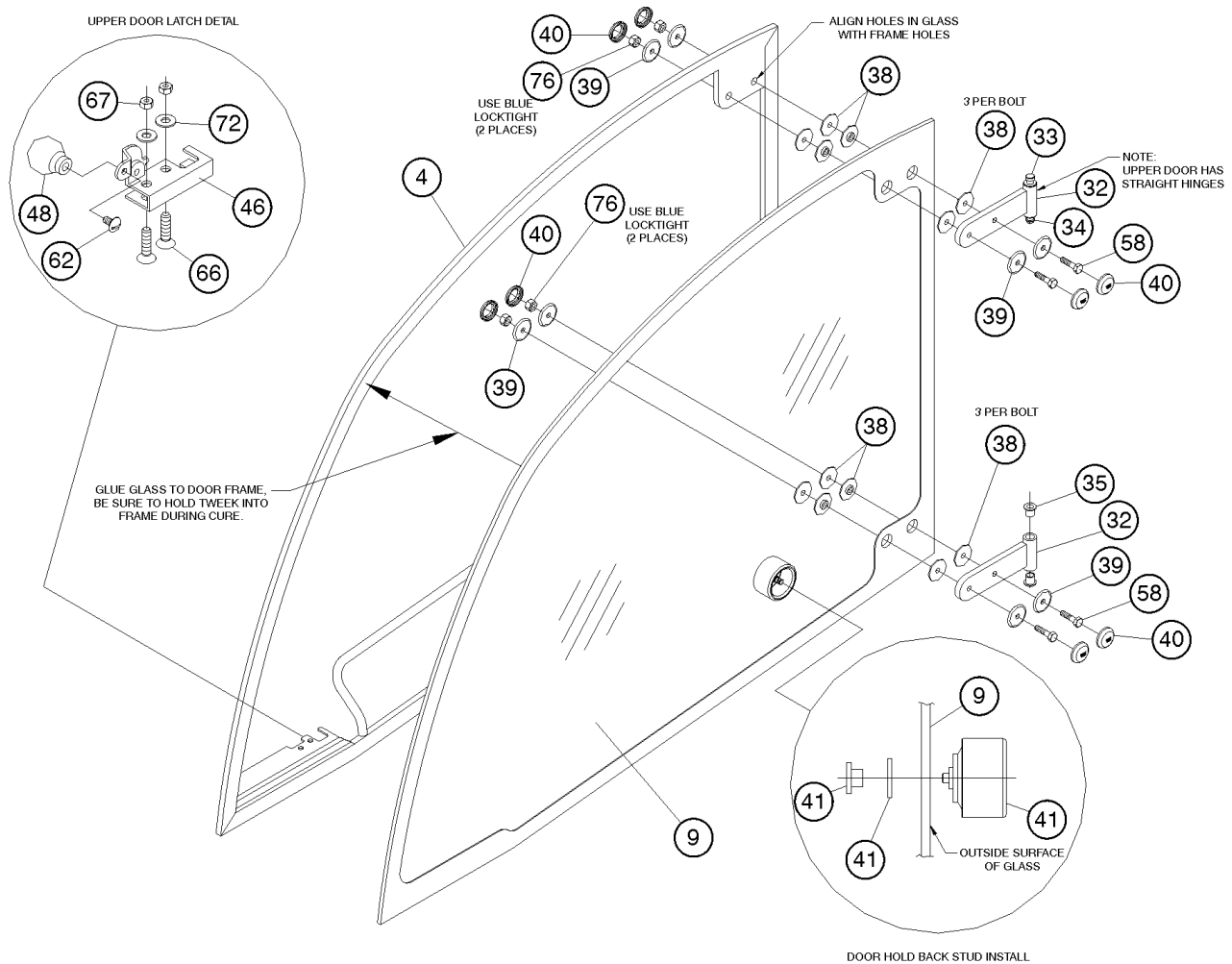
1003.1 Fully Enclosed Cab Assembly, View 3



## 1003.1 Fully Enclosed Cab Assembly, View 3

Item	Part No.	Description	Qty.
--		SIKA GLUE (7-132-05) <i>adhesive used to secure glass panels on SAF-T-CAB; source locally</i>	
5	7-132-205GT	DOOR ASSY. COMPLETE / LOWER/ S.....1 <i>hinge pin not included; order separately</i>	1
17	7-132-193GT	Glass seal.....40-inches	
31	7-132-237GT	HINGE LR DOOR/STCIII/ W ST DR.....2	2
33	7-132-190GT	HINGE PIN.....4	4
34	7-132-191GT	DOOR HINGE PIN E-CLIP.....4	4
35	7-132-192GT	PLASTIC BUSHING / DOOR HINGE.....8	8
36	7-132-138GT	LATCH GASKET.....Ref.	
38	7-132-85GT	SEAL WASHER.....16	16
39	7-132-84GT	WASHER,STC PLASTIC COVER.....30	30
40	7-132-74GT	COVER,STC PLASTIC BOLT.....30	30
43	7-132-198GT	HANDLE / INSIDE DOOR LATCH / S.....1	1
44	7-132-136GT	DOOR LATCH / EXTERIOR.....1	1
45	7-132-199GT	DOOR KEY / SAF-T-CAB III.....2	2
47	7-132-201GT	BOLT / STRIKER.....1	1
56	7-173-14GT	BOLT / 8mm x 35mm / C-SUNK ALL.....2	2
57	6-8508-30GT	CAPSCREW.....2	2
58	6-5205-12GT	SCREW,HHC,5/16-18X1.50,GR8.....8	8
59	6-9105-08GT	SELF LOCKING NUT.....2	2
60	7-173-28GT	8 MM FLAT WASHER.....4	4
64	6-5204-04GT	SCREW,HHC,1/4-20X.5,GR8.....6	6
68	6-8506-40GT	CAPSCREW 6MM X 1.00 X 40MM LG....1	1
74	7-194-89GT	JAM NUT,NYLOCK,5/16-18,PLATED....1	1
76	6038GT	NUT,HEX,5/16-18,GR8.....8	8
77	7-173-27GT	FLATWASHER 6MM ID X 12 MM OD....1	1
78	6-9101-06GT	6MM X 1.00 HEX NUT.....1	1

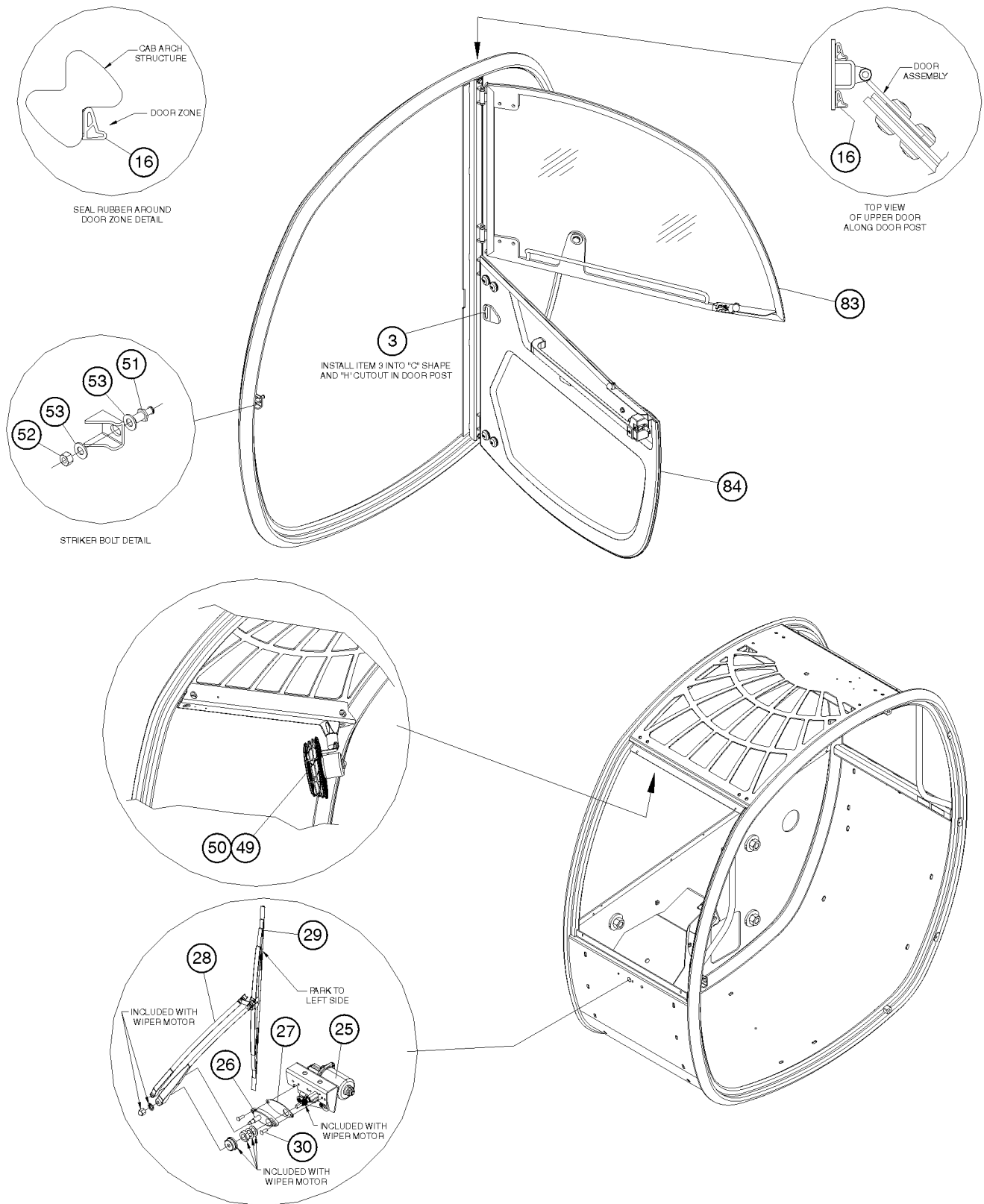
1004.1 Fully Enclosed Cab Assembly, View 4



## 1004.1 Fully Enclosed Cab Assembly, View 4

Item	Part No.	Description	Qty.
--		SIKA GLUE (7-132-05) <i>adhesive used to secure glass panels on SAF-T-CAB; source locally</i>	
--	7-132-204GT	UPPER DOOR ASSEMBLY <i>hinge pin not included; order separately</i>	
4	7-132-186GT	FRAME / UPPER DOOR.....	1
9	130298GT	GLASS / DOOR / TOP / SAF-T-CAB.....	1
32	7-132-238GT	HINGE.....	2
33	7-132-190GT	HINGE PIN.....	4
34	7-132-191GT	DOOR HINGE PIN E-CLIP.....	4
35	7-132-192GT	PLASTIC BUSHING / DOOR HINGE.....	8
38	7-132-85GT	SEAL WASHER.....	16
39	7-132-84GT	WASHER,STC PLASTIC COVER.....	30
40	7-132-74GT	COVER,STC PLASTIC BOLT.....	30
41	7-132-197GT	LATCH / DOOR HOLD BACK.....	1
46	7-132-200GT	DOOR LATCH / SPLIT DOOR.....	1
48	7-132-202GT	KNOB / SPLIT DOOR LATCH.....	1
58	6-5205-12GT	SCREW,HHC,5/16-18X1.50,GR8.....	8
62	7-194-87GT	MACHINE SCREW / 10-32 x 3/8 LG.....	1
66	7-173-17GT	SCREW / M6 x 1.00 x 30mm LG./.....	2
67	49364GT	NUT,NYLOCK,M6X1.00.....	2
72	6-6212-04GT	WASHER,FLAT,,250, HARDENED.....	23
76	6038GT	NUT,HEX,5/16-18,GR8.....	8

1005.1 Fully Enclosed Cab Assembly, View 5

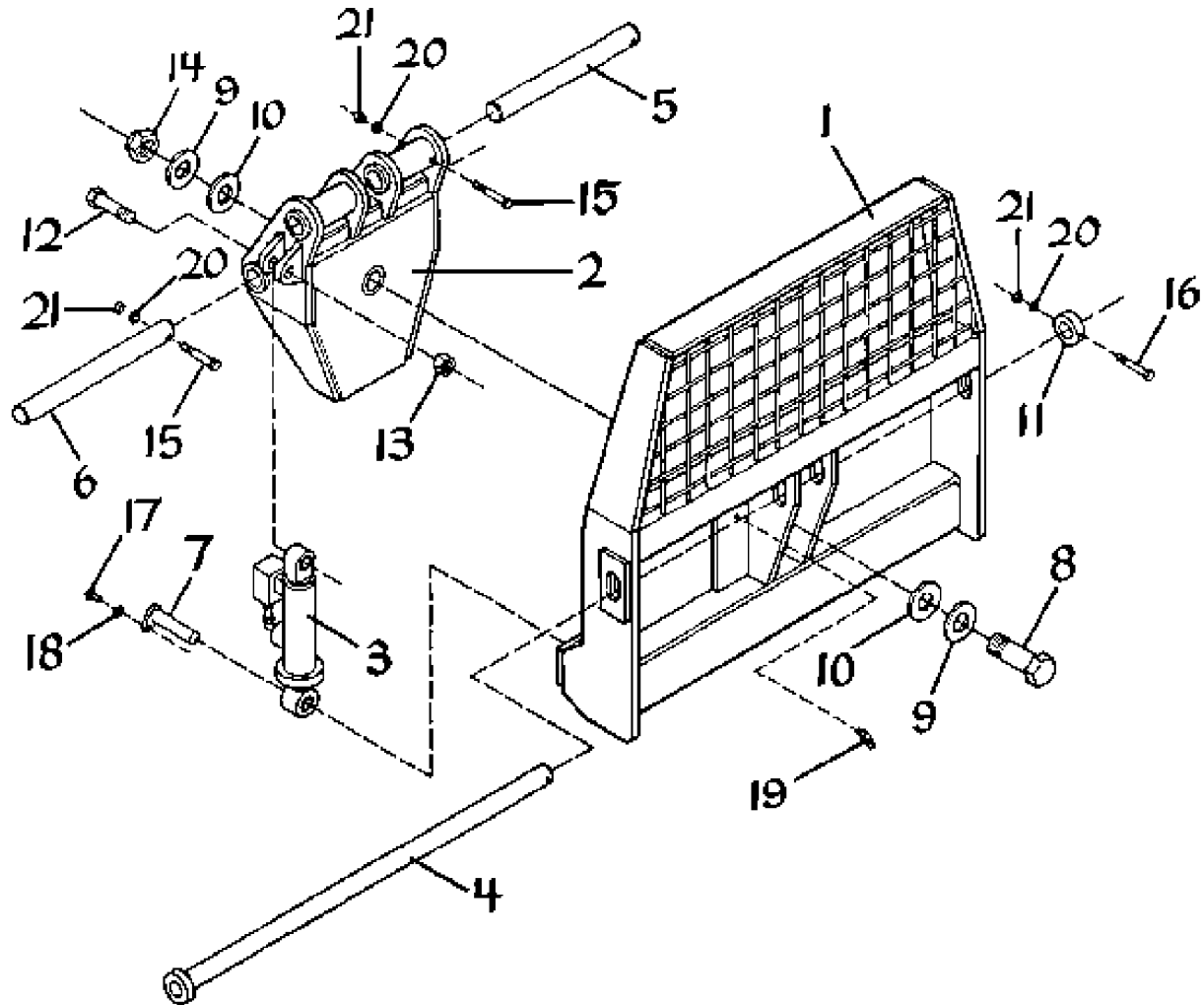




## 1005.1 Fully Enclosed Cab Assembly, View 5

Item	Part No.	Description	Qty.
--		SIKA GLUE (7-132-05) <i>adhesive used to secure glass panels on SAF-T-CAB; source locally</i>	
--	7-132-207GT	KIT,FRONT WINDSHIELD WIPER <i>includes items 25-30</i>	
3	7-132-42GT	DOOR STRAP / 7 IN.....	1
16	7-132-193GT	Glass seal.....	196-inches
25	7-132-124GT	WIPER MOTOR / SAF T CAB 2 & 3.....	1
--	226582GT	SHAFT,WIPER MOTOR PIVOT*** <i>(THIS P/N IS FOR WIPER MOTOR SHAFT AND RELATED HARDWARE ONLY)</i>	
--	T115360GT	WIPER MOTOR WITHOUT SHAFT***	
26	7-132-210GT	PANTOGRAPH WIPER BASE w/ GASKE.....	1
27		GASKET..... <i>(component not available separately) (order 7-132-210)</i>	1
28	123225GT	ARM,STCIII,24"WET WIPER.....	1
29	7-132-213GT	WIPER BLADE / 28 IN. / FLEX.....	1
30	7-194-86GT	BOLT 1/4-28 X 3/4.....	2
49	7-347-02GT	FAN ASSEMBLY.....	1
50	6-5603-06GT	CAP SCREW,SH,10-24 X 0.75.....	4
51	7-132-41GT	DOOR STRIKER.....	1
52	130301GT	NUT,M12-1.00.....	1
53	6-6212-08GT	WASHER,FLAT,USS,1/2",Y.....	2
83		Ref., UPPER DOOR ASSEMBLY <i>refer to 1004.1</i>	
84		Ref., DOOR ASSY / LOWER / STAMPED ST <i>refer to 1004.1</i>	

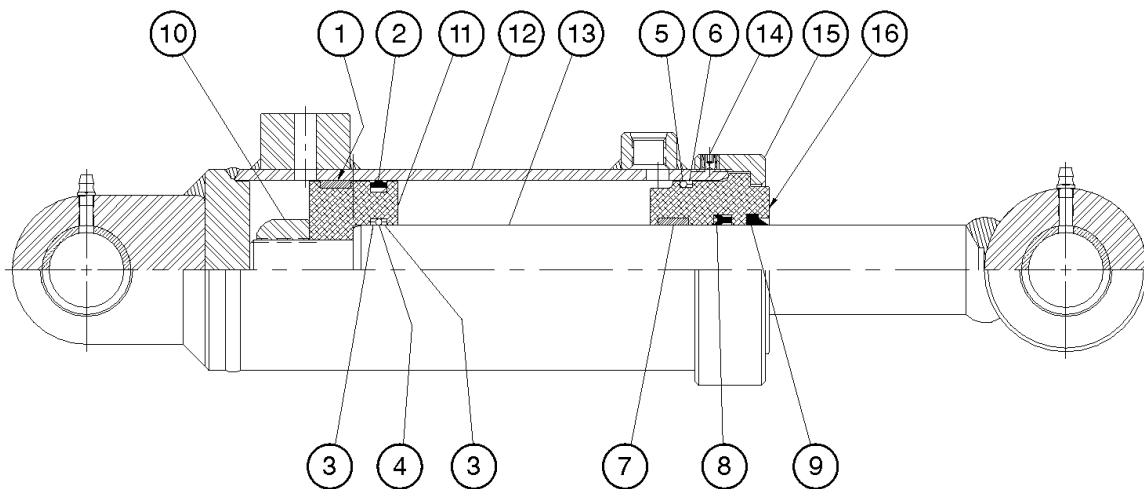
1006.1 Fork Frame Rotate Assembly



## 1006.1 Fork Frame Rotate Assembly

Item	Part No.	Description	Qty.
1A	4-1118GT	FORK FRAME,48" ROT PIN 844.....	1
1B	4-1292GT	FORK FRAME, 60" ROT PIN 844	
1C	4-1170GT	FORK FRAME, 72" ROT 844	
2	4-1528GT	PIVOT FRAME, ROTATE 844.....	1
3	123580GT	CYLINDER,ROTATE***.....	1
4A	2-1067-10GT	PIN, FORK TINE 48".....	1
4B	2-1067-12GT	PIN,FORK TINE 60" <i>pin measures 64.75 x 2.00 inches</i>	
4C	2-1067-11GT	PIN,FORK TINE 72" <i>pin measures 76.75 x 2.00 inches</i>	
5	5-2041-32GT	PIN,2.00DIA X 19.88,ONE HOLE.....	1
6	5-2041-20GT	PIN,2.00 DIA X 21.00,ONE HOLE.....	Ref.
7	123581GT	PIN,ROTATE CYLINDER.....	1
8	1-1072GT	BOLT,HMB,2-12X5 7/8,GR8.....	1
9	1-1073GT	WASHER.....	2
10	123445GT	T WASHER,4.00X2.00X.125.....	2
11	1-1074GT	COLLAR.....	Ref.
12	1-1071GT	BOLT,1 1/4-12X4 3/4.....	1
13	6-6206-20GT	NUT,NYLOCK 1 1/4.....	1
14	7-280-02GT	NUT,LOCK.....	1
15	6-5208-30GT	SCREW,HHC,1/2-13X3.75,GR8.....	Ref.
16	13854GT	SCREW,HHC,1/2-13 X 4.5,GRD.8.....	Ref.
17	77692GT	SCREW,HHC,3/8-16 X 1 GRD 8.....	1
18	6021GT	WASHER,LOCK, .375.....	1
19	28646GT	ZERK,GREASE,1/8 NPT.....	3
20	6033GT	WASHER,LOCK,0.5".....	Ref.
21	104328GT	NUT,HEX,1/2-13 GRD 8.....	Ref.
22	4-1118-16GT	ROTATE STOPS.....	1

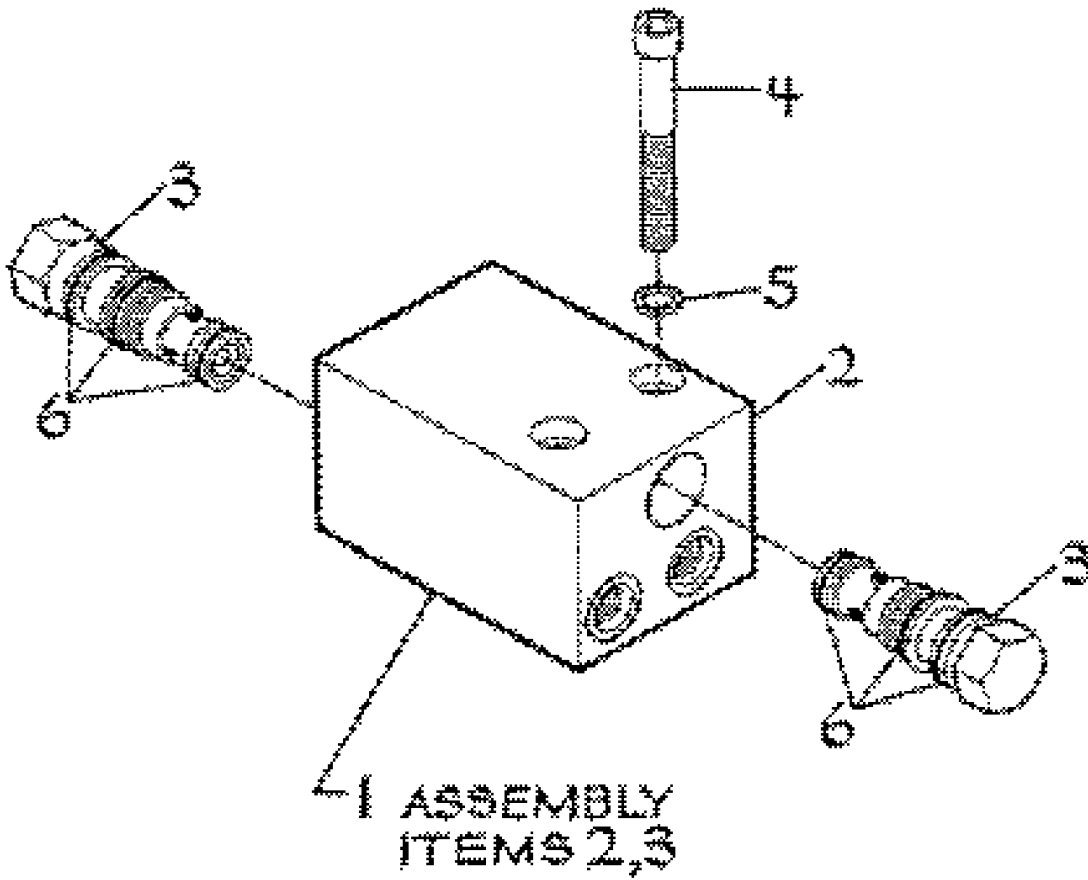
1007.1 Rotate Cylinder Assembly



## 1007.1 Rotate Cylinder Assembly

Item	Part No.	Description	Qty.
1	7-379-36GT	Wear Ring.....	1
2	7-379-37GT	PSP Seal.....	1
3	7-379-22GT	Back-up Ring.....	2
4	7-379-23GT	O-ring.....	1
5	7-379-38GT	O-ring.....	1
6	7-379-39GT	Back-up Ring.....	1
7	7-379-26GT	Wear Ring.....	1
8	7-379-45GT	Loaded U-cup.....	1
9	7-379-28GT	Rod Wiper.....	1
10	7-379-29GT	LOCKNUT.....	1
11	7-379-40GT	Piston.....	1
12	7-379-41GT	Barrel Assembly.....	1
13	7-379-42GT	Rod Assembly.....	1
14	7-379-33GT	SET SCREW.....	1
15	7-379-43GT	Thread Cap.....	1
16	7-379-44GT	Thread Cap Head.....	1
17	7-900-86GT	SEAL KIT,CYLINDER***.....	Ref.

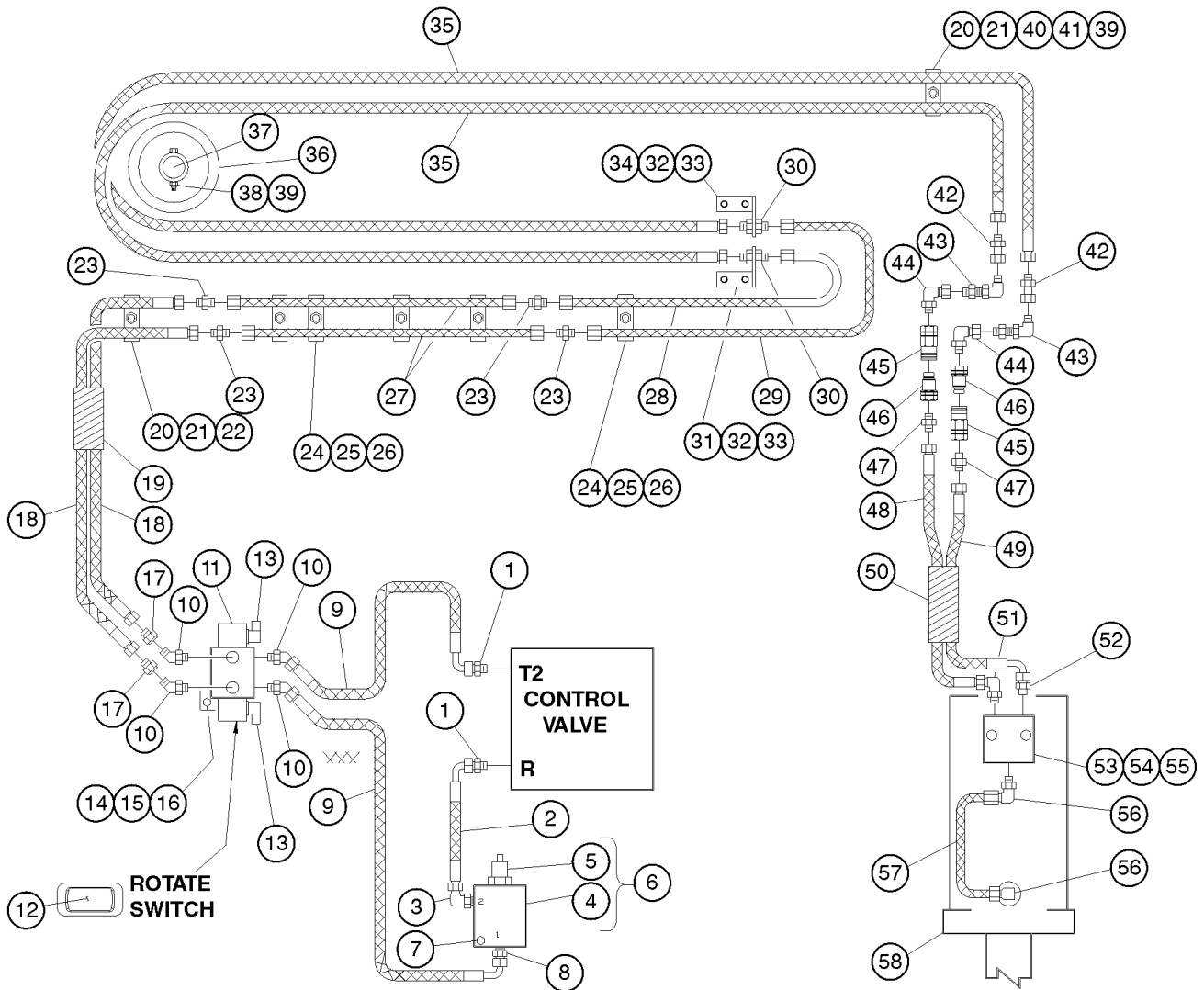
1008.1 Dual Pilot Check Valve



## 1008.1 Dual Pilot Check Valve

Item	Part No.	Description	Qty.
1	7-234-35GT	VALVE,DUAL PILOT CHECK.....	1
2	7-234-46GT	BODY.....	1
3	7-234-18GT	CARTRIDGE / PILOT CHECK.....	2
4	123668GT	SCREW,SHC,5/16-18X2.50.....	2
5	123669GT	WASHER,HI-LOCK.....	2
6	7-234-29GT	SEAL KIT.....	2

1009.1 Circuit, Fork Rotate

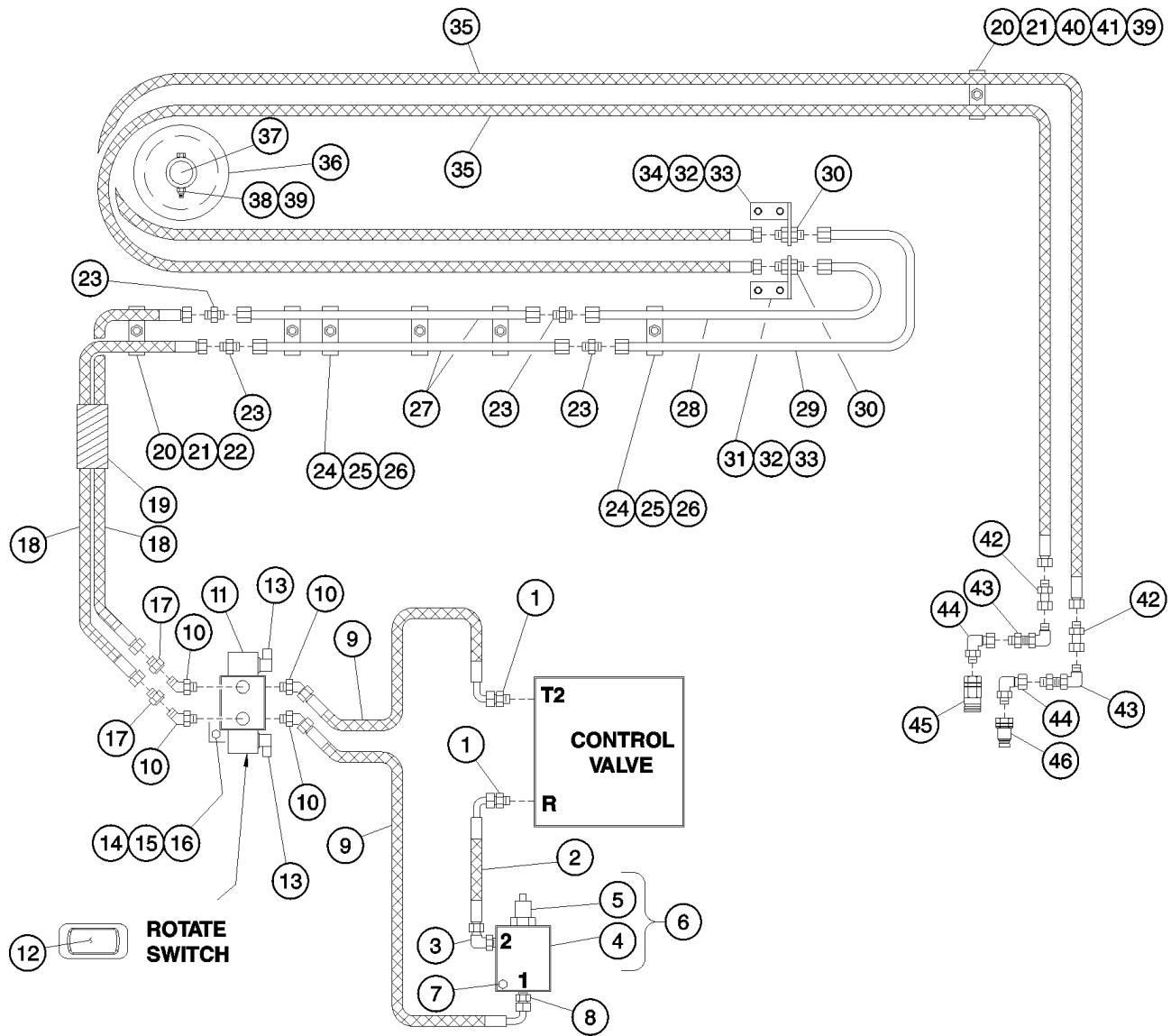




## 1009.1 Circuit, Fork Rotate

Item	Part No.	Description	Qty.	Item	Part No.	Description	Qty.
1	123671GT	FITTING, 06OR X 06 JIC STR.....	2	42	5-2142GT	Fitting / 08 JIC X 08 ORfs Sw. Str.....	2
2	6-7023-40GT	HOSE,06X06-90X20LG.....	1	43	75042GT	ELBOW,BULKHEAD UNION 520701-8...2	
3	6-6453-07GT	FITTING,08 OR X 06 JIC 90.....	1	44	123179GT	#8,90 DEG ORFS SWIVEL.....	2
4	7-234-84GT	VALVE BODY.....	Ref.	45	123181GT	QUICK COUPLING,FEMALE.....	2
5	7-234-17GT	CARTRIDGE / NEEDLE.....	Ref.	46	123180GT	QUICK COUPLING,MALE.....	2
6	7-234-103GT	NEEDLE VALVE ASSY.....	1	47	123673GT	FITTING, 08 OR X 06 JIC STR.....	2
7	6-5205-30GT	SCREW,HHC,5/16-18X3.75,GR8.....	1	48	6-7003-74GT	HOSE,6X6X37".....	1
8	123673GT	FITTING, 08 OR X 06 JIC STR.....	1	49	6-7023-74GT	HOSE,06X06-90X37LG.....	1
9	6-7023-62GT	HOSE,06X06-90X31LG.....	2	50	123838GT	COIL,PROTECTIVE,PLASTIC.....	24
10	6-6452-03GT	FITTING,06OR X 06 JIC 45.....	4	51	123670GT	FITTING,06 OR X 06 JIC 90.....	1
11	7-244-31GT	VALVE,ELECTRIC 4WAY.....	1	52	123671GT	FITTING, 06OR X 06 JIC STR.....	1
12	123138GT	SWITCH, AUXILIARY.....	1	53	123758GT	VALVE,DUAL PILOT CHECK.....	1
13	7-244-27GT	Ref. DIN CONNECTOR..... <i>(7-244-27 is no longer available from supplier, however, some Genie inventory may still be in stock)</i>	2	54	123668GT	SCREW,SHC,5/16-18X2.50.....	2
14	6-5204-12GT	SCREW,HHC,1/4-20 X1.50,GR8.....	2	55	123669GT	WASHER,HI-LOCK.....	2
15	6356GT	WASHER,LOCK,.25.....	2	56	123672GT	FITTING,06 SAE X 06 COMP,90.....	2
16	6-6201-04GT	NUT,HEX,1/4-20.....	2	57	123674GT	FORMED TUBE.....	1
17	108520GT	FITTING,08X06JIC EXP.....	2	58	123580GT	CYLINDER,ROTATE***.....	1
18	6-7014-184GT	HOSE,08X10X92"LG.....	2				
19	123838GT	COIL,PROTECTIVE,PLASTIC.....	18				
20	7-273-32GT	CLAMP HALVES,TWIN,7/8" TUBE.....	2				
21	123177GT	CLAMP CVR PLATE,TWIN,GRP 3.....	2				
22	14723GT	SCREW,HHC,5/16-18 X 1.75.....	1				
23	5-2139GT	Fitting / 10 JIC M. X 10 JIC M. Str.....	4				
24	123192GT	CLAMP HALVES,TWIN,5/8" TUBE.....	5				
25	123176GT	PLATE, TOP.....	5				
26	13000GT	SCREW,HHC,5/16-18 X 1.25.....	5				
27	108558GT	TUBE ASSY,STRAIGHT,TH.....	2				
28	108559GT	TUBE ASSY,AUX,INNER.....	1				
29	108560GT	TUBE ASSY,AUX,OUTER,TH.....	1				
30	6-6475-07GT	FITTING,10 JIC BH-UNION,STR.....	2				
31	5-2096GT	Forming / Hardline Bracket.....	1				
32	T106382GT	FLGHCS,3/8-16X1.25.GR5,ZN,LOC.....	4				
33	29868GT	SPRING CLIP,3/8-16,.05-.20X.73,ZAG....	4				
34	5-2136GT	Forming / Hardline Bracket.....	1				
35	6-7014-792GT	HOSE,10X8X396LG.....	2				
36	5-2038GT	Sheave / Option / Hose.....	1				
37	5-2041-2GT	PIN,2.00DIAX7.50 LG,1 HOLE.....	1				
38	21604GT	SCREW,HHC,3/8-16 X 3.25.....	1				
39	4828GT	NUT,NYLOCK,3/8-16.....	2				
40	14033GT	SCREW,HHC,3/8-16 X 2.75.....	1				
41	6097GT	WASHER,FLAT,USS,3/8",Y.....	1				

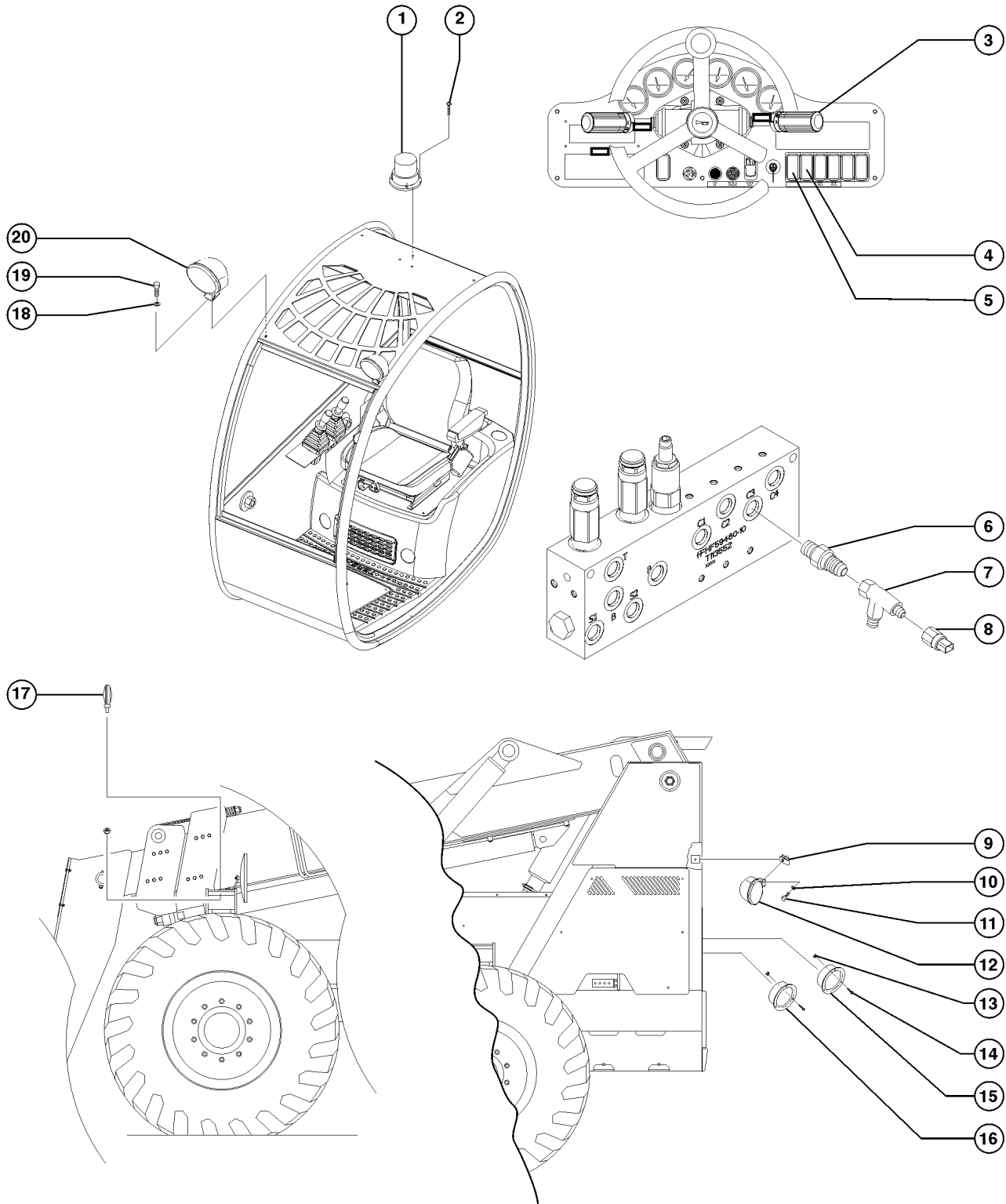
1010.1 Circuit, Auxillary Hydraulics, 3 -7 GPM



## 1010.1 Circuit, Auxillary Hydraulics, 3 -7 GPM

Item	Part No.	Description	Qty.	Item	Part No.	Description	Qty.
1	123671GT	FITTING, 06OR X 06 JIC STR.....	2	42	5-2142GT	Fitting / 08 JIC X 08 ORfs Sw. Str.....	2
2	6-7023-40GT	HOSE,06X06-90X20LG.....	1	43	75042GT	ELBOW,BULKHEAD UNION 520701-8...2	
3	6-6453-07GT	FITTING,08 OR X 06 JIC 90.....	1	44	123179GT	#8,90 DEG ORFS SWIVEL.....	2
4	7-234-84GT	VALVE BODY.....	Ref.	45	123181GT	QUICK COUPLING,FEMALE.....	1
5	7-234-17GT	CARTRIDGE / NEEDLE.....	Ref.	46	123180GT	QUICK COUPLING,MALE.....	1
6	7-234-103GT	NEEDLE VALVE ASSY.....	1				
7	6-5205-30GT	SCREW,HHC,5/16-18X3.75,GR8.....	1				
8	123673GT	FITTING, 08 OR X 06 JIC STR.....	1				
9	6-7023-62GT	HOSE,06X06-90X31LG.....	2				
10	6-6452-03GT	FITTING,06OR X 06 JIC 45.....	4				
11	7-244-31GT	VALVE,ELECTRIC 4WAY.....	1				
12	123138GT	SWITCH, AUXILIARY.....	1				
13	7-244-27GT	Ref. DIN CONNECTOR..... <i>(7-244-27 is no longer available from supplier, however, some Genie inventory may still be in stock)</i>	2				
14	6-5204-12GT	SCREW,HHC,1/4-20 X1.50,GR8.....	2				
15	6356GT	WASHER,LOCK,.25.....	2				
16	6-6201-04GT	NUT,HEX,1/4-20.....	2				
17	108520GT	FITTING,08X06JIC EXP.....	2				
18	6-7014-184GT	HOSE,08X10X92"LG.....	2				
19	123838GT	COIL,PROTECTIVE,PLASTIC.....	18				
20	7-273-32GT	CLAMP HALVES,TWIN,7/8" TUBE.....	2				
21	123177GT	CLAMP CVR PLATE,TWIN,GRP 3.....	2				
22	14723GT	SCREW,HHC,5/16-18 X 1.75.....	1				
23	5-2139GT	Fitting / 10 JIC M. X 10 JIC M. Str.....	4				
24	123192GT	CLAMP HALVES,TWIN,5/8" TUBE.....	5				
25	123176GT	PLATE, TOP.....	5				
26	13000GT	SCREW,HHC,5/16-18 X 1.25.....	5				
27	108558GT	TUBE ASSY,STRAIGHT,TH.....	2				
28	108559GT	TUBE ASSY,AUX,INNER.....	1				
29	108560GT	TUBE ASSY,AUX,OUTER,TH.....	1				
30	6-6475-07GT	FITTING,10 JIC BH-UNION,STR.....	2				
31	5-2096GT	Forming / Hardline Bracket.....	1				
32	T106382GT	FLGHCS,3/8-16X1.25.GR5,ZN,LOC.....	4				
33	29868GT	SPRING CLIP,3/8-16,.05-.20X.73,ZAG....	4				
34	5-2136GT	Forming / Hardline Bracket.....	1				
35	6-7014-792GT	HOSE,10X8X396LG.....	2				
36	5-2038GT	Sheave / Option / Hose.....	1				
37	5-2041-2GT	PIN,2.00DIAX7.50 LG,1 HOLE.....	1				
38	21604GT	SCREW,HHC,3/8-16 X 3.25.....	1				
39	4828GT	NUT,NYLOCK,3/8-16.....	2				
40	14033GT	SCREW,HHC,3/8-16 X 2.75.....	1				
41	6097GT	WASHER,FLAT,USS,3/8",Y.....	1				

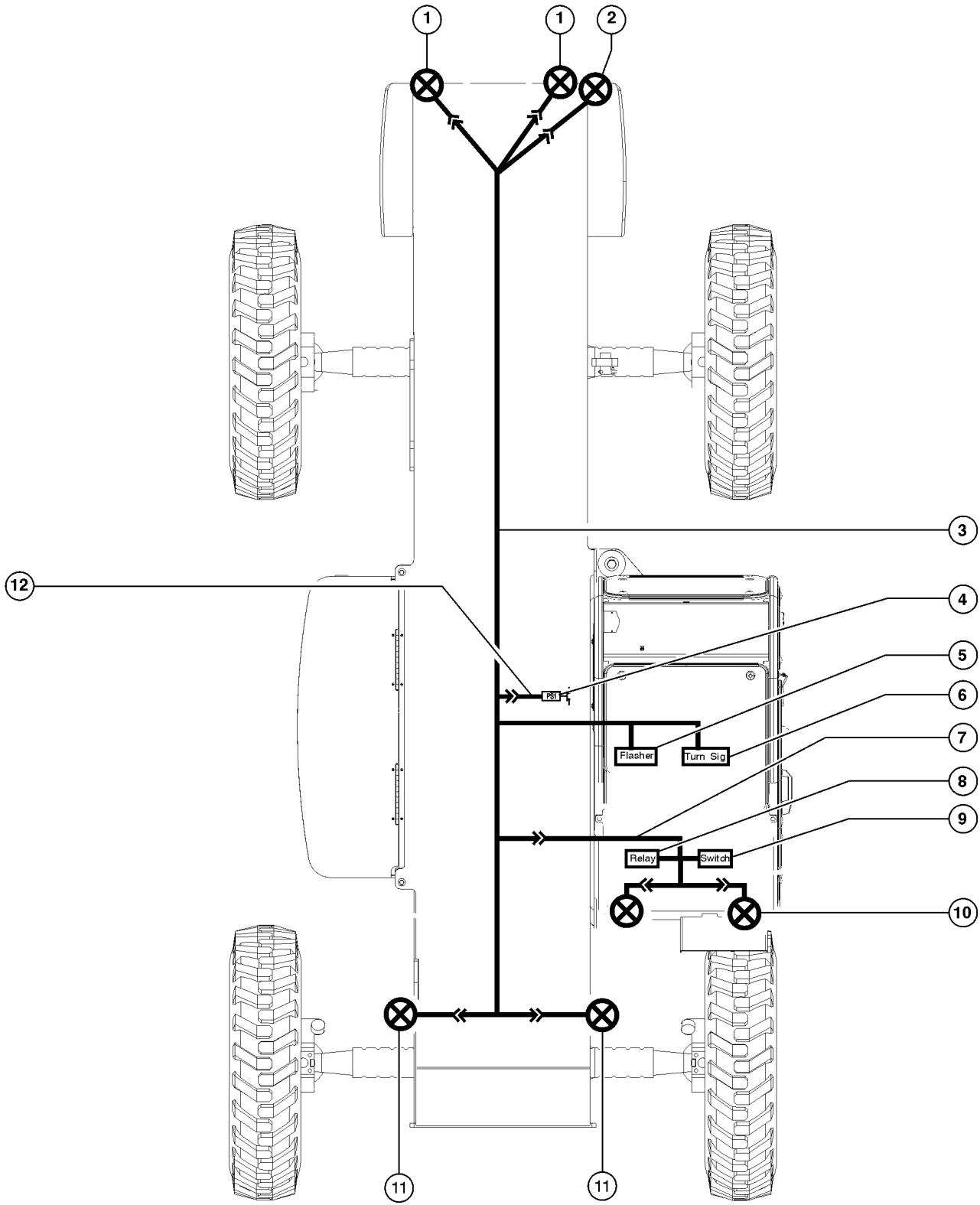
1011.1 Road and Work Light Accessory



## 1011.1 Road and Work Light Accessory

Item	Part No.	Description	Qty.	Item	Part No.	Description	Qty.
1	7-213-04GT	BEACON.....	1	16B	1261780GT	LED RED LIGHT ASSY,6XX/8XX	
--	2-1355GT	HARNESS,STROBE LIGHT		--	229037GT	LIGHT,BRAKE,TAIL,TURN	
2	123661GT	SCREW,PHM,10-24X.625.....	3	17	123929GT	ROAD LIGHT, BLINKER <i>(does not include 4-2365) (road light option)</i>	
3	7-289-06GT	SWITCH / TURN SIGNAL..... <i>(models with road light option)</i>	1	--	123927GT	HARNESS,ROAD LIGHT,TURN SIG	
4	7-164-02GT	SWITCH,LIGHTS <i>(models with road light option)</i>		--	4-2365GT	HARNESS,TURN/TAIL/HAZARD,TH	
5	7-164-02GT	SWITCH,LIGHTS <i>(models with work light option)</i>		--	7-289-03GT	LIGHT,PEDESTAL BLINKER AMBER..... <i>(includes fasteners)(road light option)</i>	2
6	141650GT	ADAPTER,04 FORB X02 MP		18	6886GT	WASHER,LOCK, .313.....	2
7	141654GT	6 FJIC SW X 6 MJIC RN X 4 ORBT		19	6-5205-12GT	SCREW,HHC,5/16-18X1.50,GR8.....	2
8	117659GT	SWITCH,PRESS,NO,50 PSI,04 OR..... <i>(brake pressure switch) (refer to 922.1)</i>	1	20	7-162-02GT	CAB LIGHT..... <i>(road light option)</i>	2
--	117659GT	SWITCH,PRESS,NO,50 PSI,04 OR		--	2-1354GT	HARNESS,HEADLIGHT <i>(road light option)</i>	
--	141650GT	ADAPTER,04 FORB X02 MP		--	7-319-31GT	BULB / HEADLIGHT for 7-162-02 <i>for 7-162-02</i>	
--	141651GT	ADAPTER HARNESS,BRAKE LT PS					
--	141653GT	KIT,BRAKE LT PS-FIELD REPLACE					
9	29868GT	SPRING CLIP,3/8-16, .05-.20X.73,ZAG....	1				
10	19934GT	WASHER,3/8 HARD,STEEL-FLAT,USS.....	1				
11	94195GT	SCREW,HHC,3/8-16 X .75,GR 8.....	1				
12A	234856GT	HEADLIGHT ASSY,6XX/8XX..... <i>(models with road light option)</i>	1				
--	7-289-05GT	LIGHT,HEADLIGHT					
12B	1261779GT	LED HEADLIGHT ASSY,6XX/8XX..... <i>(models with road light option)</i>	1				
--	215481GT	LIGHT, LED WHITE 12V					
13	6-6286-04GT	NUT.....	6				
14	6-6284-05GT	SCREW,RLM,10-24-3/4.....	6				
15A	234858GT	LIGHT, BACK UP ASSY,6XX/8XX <i>(does not include 2-1261, 34052, 7-319-15)</i>					
--	2-1261GT	HARNESS,TAIL&BACK UP LIGHT					
--	34052GT	RELAY,SPDT,12V(AUTO) PLUG IN**					
--	7-289-07GT	LIGHT,BACK-UP,CLEAR..... <i>(models with work light option)</i>	1				
--	7-319-15GT	CLAMP,ADHESIVE BACK,3/8					
15B	1261781GT	LED CLEAR LIGHT ASSY,6XX/8XX					
--	229038GT	LIGHT,BACKUP,CLEAR					
15C	234857GT	LIGHT, BRAKE ASSY,6XX/8XX					
--	7-289-04GT	LIGHT,BRAKE,TAIL,TURN <i>(red, models with road light option)</i>					
15D	1261780GT	LED RED LIGHT ASSY,6XX/8XX					
--	229037GT	LIGHT,BRAKE,TAIL,TURN <i>(REAR, RED)</i>					
16A	234857GT	LIGHT, BRAKE ASSY,6XX/8XX					
--	7-289-04GT	LIGHT,BRAKE,TAIL,TURN <i>(models with roadlight and/or worklight option)</i>					

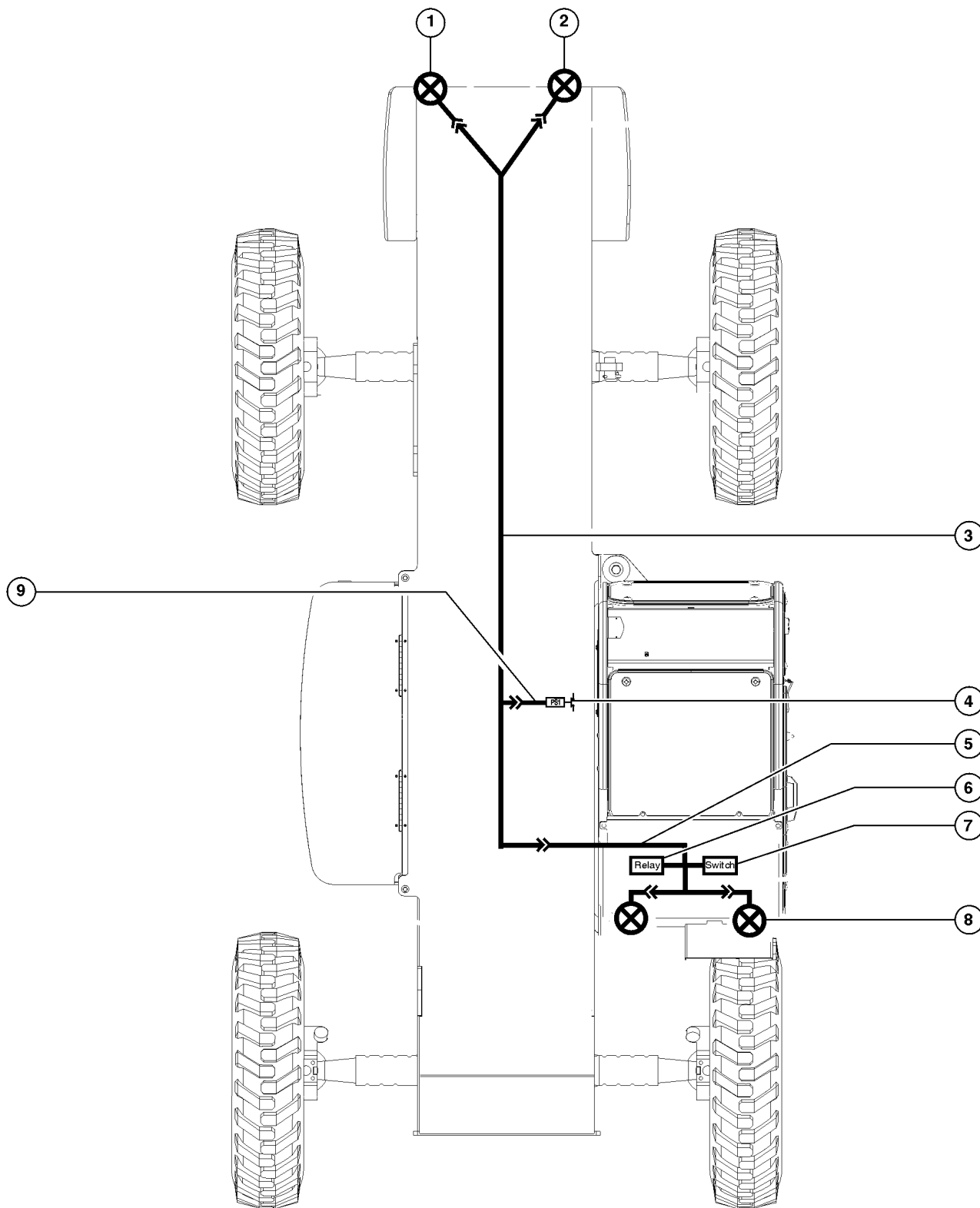
1012.1 Road Light Harnesses



## 1012.1 Road Light Harnesses

Item	Part No.	Description	Qty.
1A	234857GT	LIGHT, BRAKE ASSY,6XX/8XX	
--	7-289-04GT	LIGHT,BRAKE,TAIL,TURN.....2	
1B	1261780GT	LED RED LIGHT ASSY,6XX/8XX	
--	229037GT	LIGHT,BRAKE,TAIL,TURN	
2A	234856GT	HEADLIGHT ASSY,6XX/8XX	
--	7-289-05GT	LIGHT,HEADLIGHT.....1	
2B	1261779GT	LED HEADLIGHT ASSY,6XX/8XX	
--	215481GT	LIGHT, LED WHITE 12V	
3	Apr-65GT	HARNES,TURN/TAIL/HAZARD,TH.....1	
4	117659GT	SWITCH,PRESS,NO,50 PSI,04 OR.....1	
5	7-314-01GT	FLASHER.....1	
6	7-125-06GT	SWITCH, TURN SIGNAL.....1	
7	2-1354GT	HARNES,HEADLIGHT.....1	
8	34052GT	RELAY,SPDT,12V(AUTO) PLUG IN**.....1	
9	7-164-02GT	SWITCH,LIGHTS.....1	
10	7-162-02GT	CAB LIGHT.....2	
--	7-319-31GT	BULB / HEADLIGHT for 7-162-02 for 7-162-02	
11	123929GT	ROAD LIGHT, BLINKER	
--	7-289-03GT	LIGHT,PEDESTAL BLINKER AMBER....2	
12	141652GT	HARNES,TURN SIGNAL,PS.....1	

1013.1 Work Light Harnesses

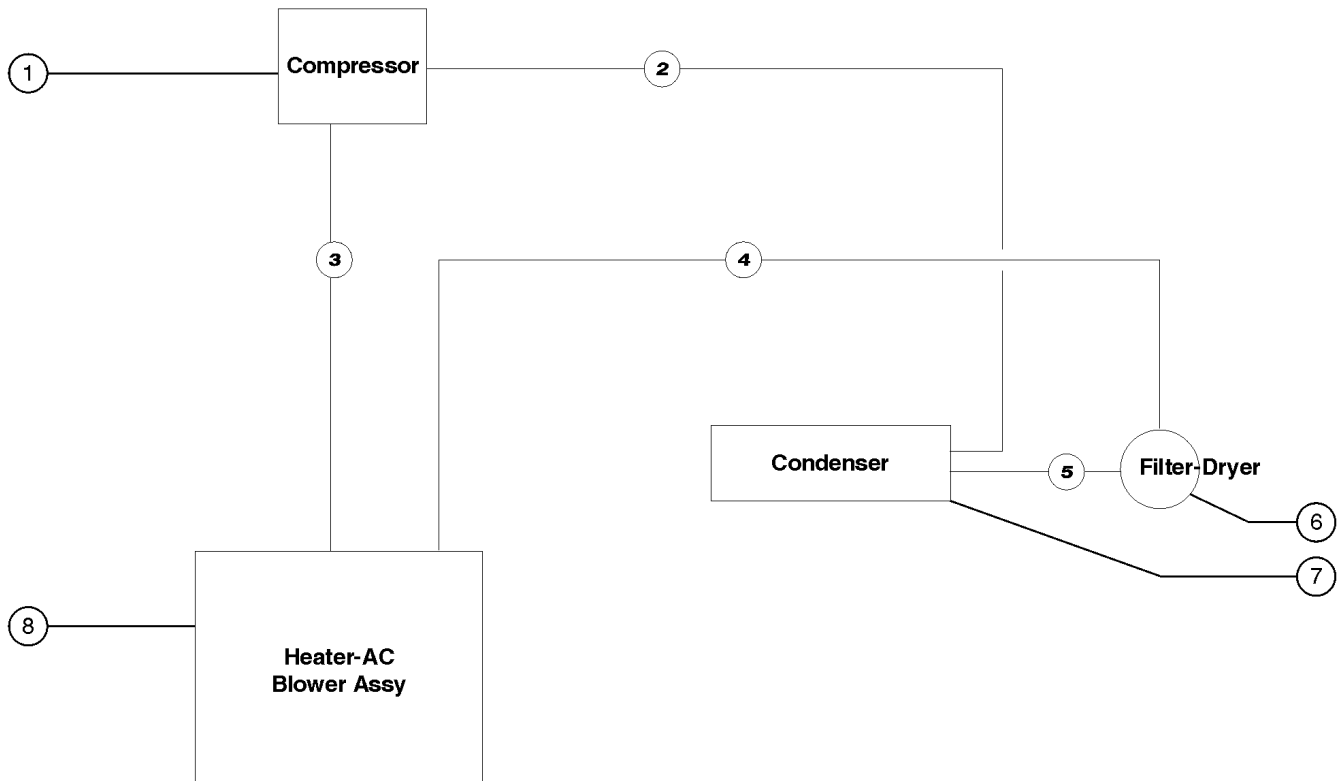




## 1013.1 Work Light Harnesses

Item	Part No.	Description	Qty.
1A	234858GT	LIGHT, BACK UP ASSY,6XX/8XX.....1	
--	7-289-07GT	LIGHT,BACK-UP,CLEAR	
1B	1261781GT	LED CLEAR LIGHT ASSY,6XX/8XX.....1	
--	229038GT	LIGHT,BACKUP,CLEAR	
2A	234857GT	LIGHT, BRAKE ASSY,6XX/8XX.....1	
--	7-289-04GT	LIGHT,BRAKE,TAIL,TURN	
2B	1261780GT	LED RED LIGHT ASSY,6XX/8XX.....1	
--	229037GT	LIGHT,BRAKE,TAIL,TURN	
3	169930GT	HARNESS,TURN/TAIL/HAZARD,TH.....1	
4	117659GT	SWITCH,PRESS,NO,50 PSI,04 OR.....1	
5	2-1354GT	HARNESS,HEADLIGHT.....1	
6	34052GT	RELAY,SPDT,12V(AUTO) PLUG IN**.....1	
7	7-164-02GT	SWITCH,LIGHTS.....1	
8	7-162-02GT	CAB LIGHT.....2	
--	7-319-31GT	BULB / HEADLIGHT for 7-162-02 for 7-162-02	
9	141652GT	HARNESS,TURN SIGNAL,PS.....1	

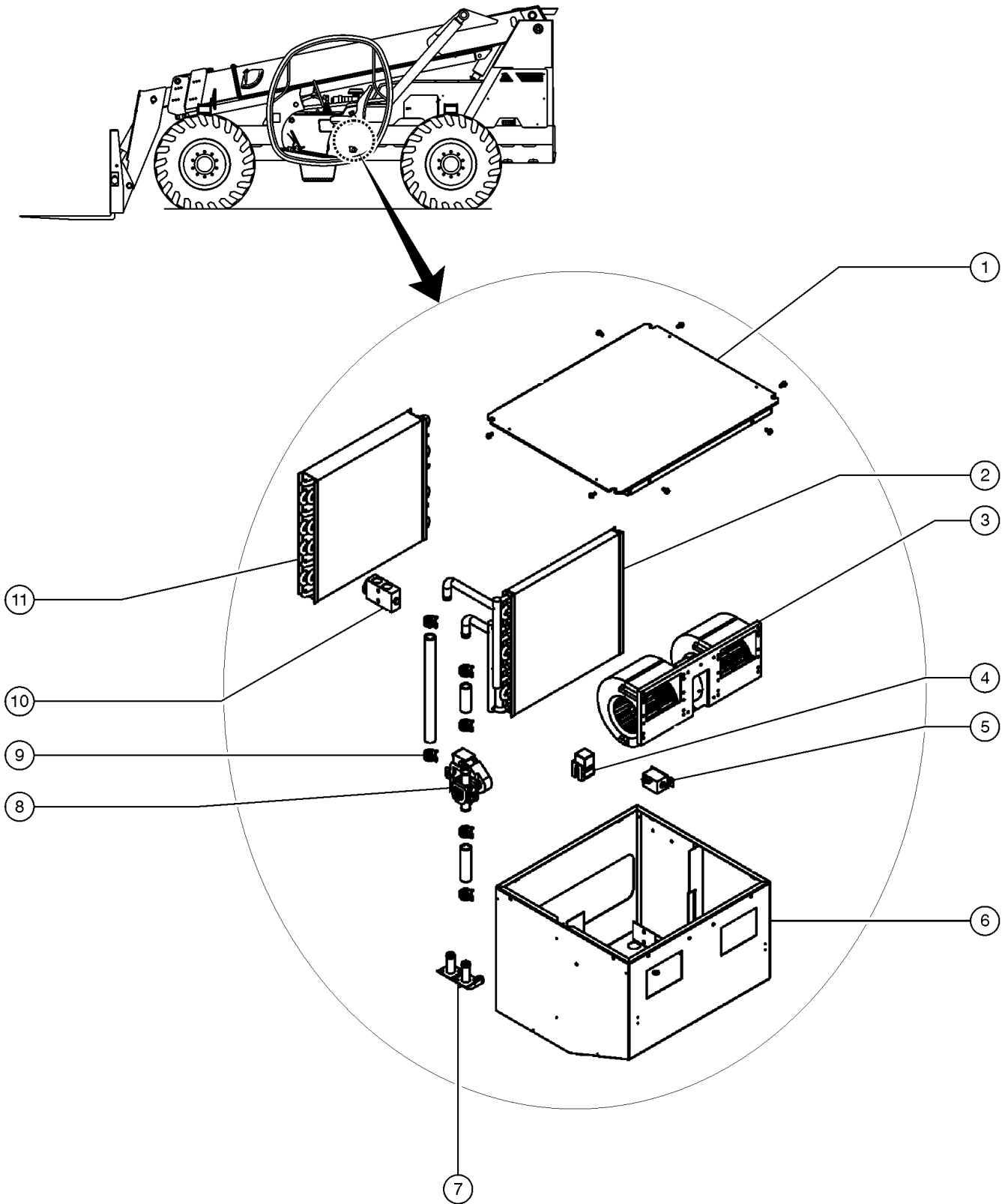
1014.1 HVAC Components



## 1014.1 HVAC Components

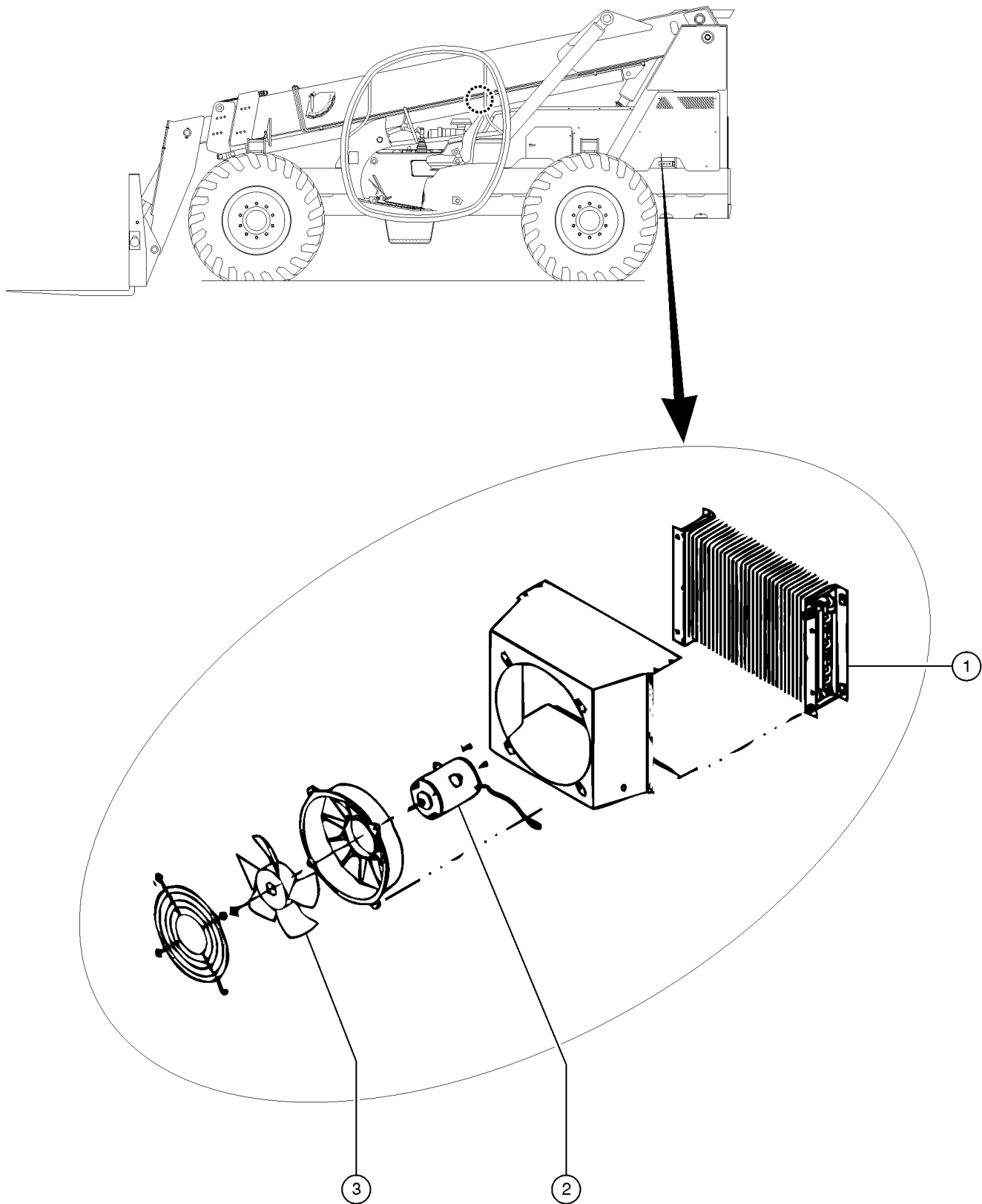
Item	Part No.	Description	Qty.
--	123859GT	HARNESS, AC, IN-CAB	
--	123860GT	HARNESS, AC, CHASSIS	
--	141336GT	SWITCH,A/C,ROCKER	
1A	T113835GT	COMPRESSOR,AC,PERK1104	
--	T113836GT	BRACKET,AC COMP, PERK 1104	
--	T113837GT	TENSIONER,AC COMP PERK1104	
--	T113838GT	V-BELT,AC COMP,PERK1104	
1B	123846GT	KIT,AC COMPRESSOR,JD,644/8XX	
--	229025GT	BELT,FAN,DEERE 6/8K T3,AC	
2A	T113840GT	HOSE ASSY,AC,COMP/COND,PERK	
2B	130076GT	HOSE ASSY,AC,COMP/COND,JD	
3A	T113841GT	HOSE ASSY,AC,EVAP/COMP,PERK	
3B	130077GT	HOSE ASSY,AC,EVAP/COMP,JD	
4	T113839GT	HOSE ASSY,AC,DRIER/EVAP	
5	130078GT	HOSE ASSY,AC,COND/DRIER	
6	123861GT	RECEIVER/DRIER,AC,644/8XX	
--	123858GT	SWITCH,PRESSURE,AC,644/8XX	
7		Ref. Condenser <i>(refer to 1016.1)</i>	
8		Ref. Heater-AC, Blower Assy <i>(refer to 1015.1)</i>	
--	235126GT	HEAT/AC DUCTING GASKET KIT <i>Contents of kit are included in 7-181-16. Service part only.</i>	
--	7-181-16GT	DUCTING KIT, 3"DIAMETER <i>Gasket kit only is 235136</i>	

1015.1 HVAC Unit



Item	Part No.	Description	Qty.
--	123910GT	KIT,AC BRACKETS,644/8XX <i>(includes condenser and dryer bracket)</i>	
1	231144GT	COVER	
2	231142GT	HEATER COIL	
3	231140GT	BLOWER, 12V	
4	231145GT	RELAY, 12V	
5	231146GT	THERMOSTAT	
6	231143GT	CASING	
7	231151GT	COPPER TUBE, 5/8	
8	231149GT	MOTORIZED VALVE	
9	231150GT	CLAMP	
10	231148GT	BLOCK VALVE	
11	231141GT	EVAPORATOR COIL	

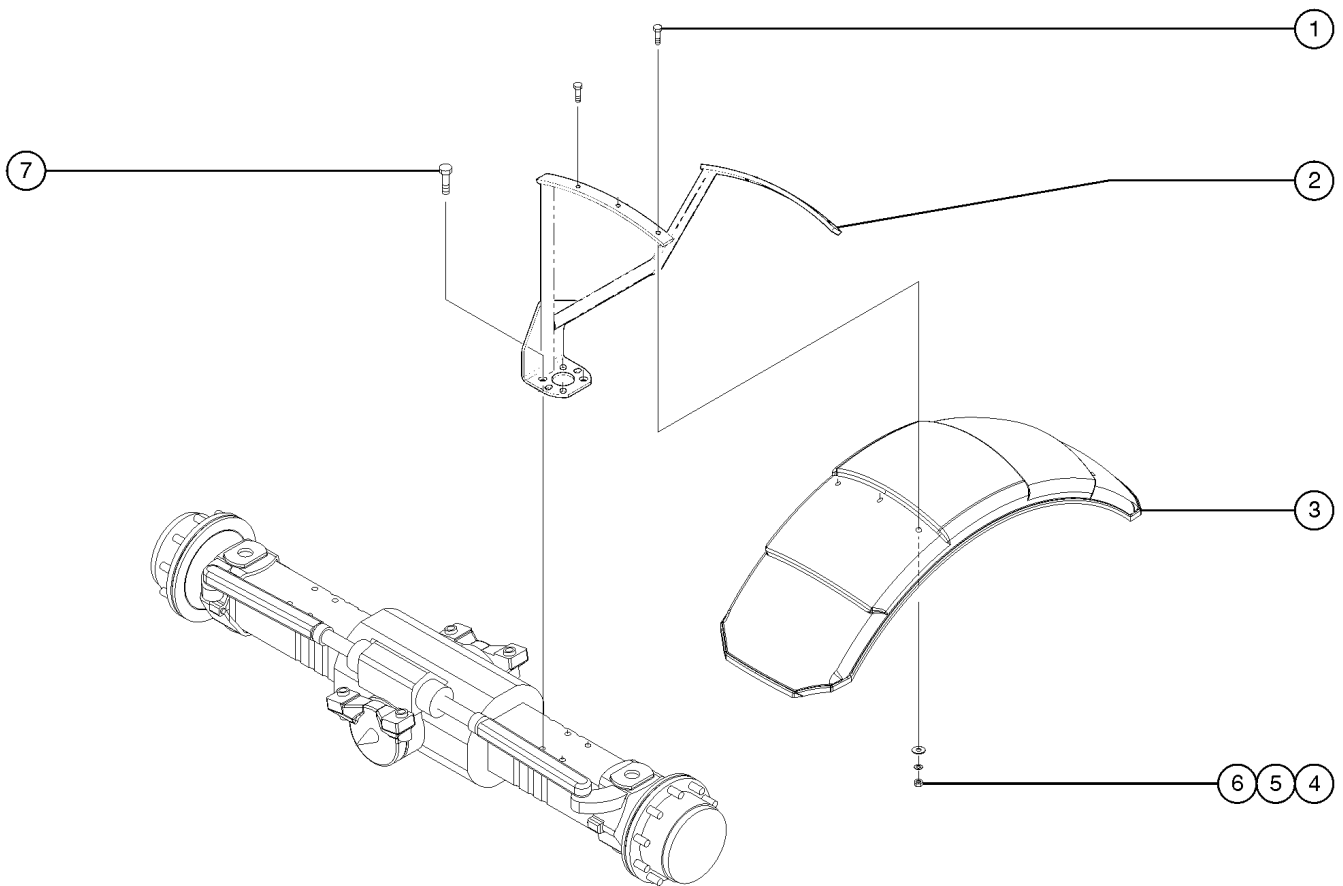
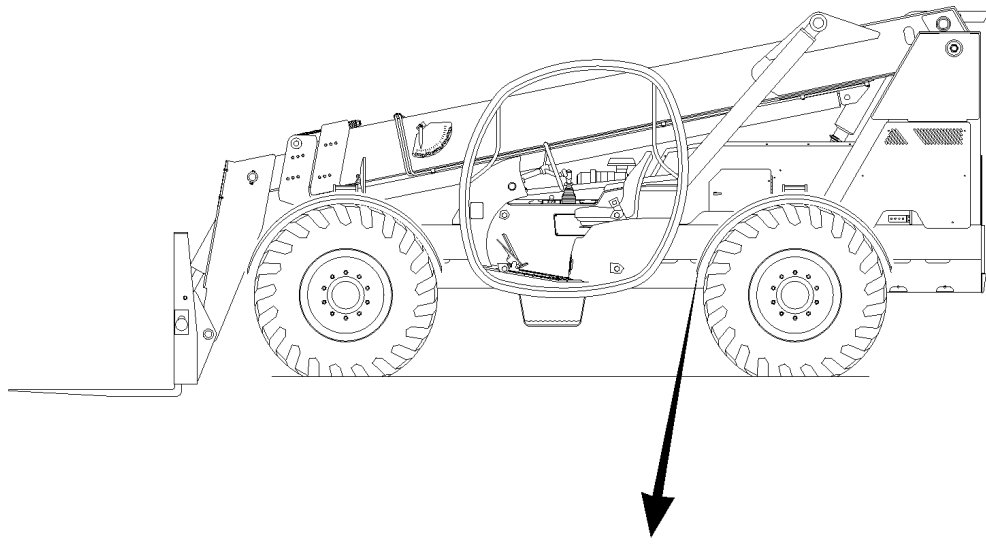
1016.1 Condenser Assembly, HVAC



1016.1 Condenser Assembly, HVAC

Item	Part No.	Description	Qty.
1	234778GT	MOTOR,12V,CONDENSER,HVAC,8K.....1	
2	234779GT	FAN,CONDENSER,HVAC,8K.....1	
3	234780GT	COIL,CONDENSER,HVAC,8K.....1	

1017.1 Fender Assembly





## 1017.1 Fender Assembly

Item	Part No.	Description	Qty.
1	6-5205-10GT	SCREW,HHC,5/16-18X1.25,GR8.....	24
2A	150003GT	WELDMENT, LH FENDER SUPPORT....	2
2B	150004GT	WELDMENT, RH FENDER SUPPORT....	2
3	7-119-01GT	FENDER,FULL WHEEL,UTILITY.....	4
4	6038GT	NUT,HEX,5/16-18,GR8.....	24
5	6886GT	WASHER,LOCK,,313.....	24
6	229016GT	WASHER,FENDER,5/16 X2.0 X .062....	24
7	823664GT	SCREW,HHC,M12-1.25X40MM,10.9,Y.16	

## Part Number Index

The Part Number Index is a numeric index of all part numbers included in this manual. The index shows what page(s) the part is used on.

Part Number	Page	Part Number	Page	Part Number	Page	Part Number	Page
1-1017GT	113	114057GT	11, 13	123184GT	121	123842GT	103-104
1-1024GT	81	114059GT	11, 13	123185GT	121	123843GT	103-104
1-1034GT	169	114062GT	11, 13	123186GT	121	123846GT	243
1-1071GT	227	114083GT	11	123187GT	121, 135	123858GT	243
1-1072GT	227	114087GT	11, 13	123188GT	119	123859GT	243
1-1073GT	227	114090GT	15	123190GT	97, 99	123860GT	243
1-1074GT	227	114093GT	15	123192GT	131, 141, 143, 233, 235	123861GT	243
1-1094GT	81	114356GT	15	123198GT	103-104	123910GT	245
1-1173GT	97, 99	114365GT	11, 13	123199GT	93, 103-104	123927GT	237
1-1176GT	97, 99	114367GT	11, 13	123200GT	115	123929GT	237, 239
1-1306GT	137	114374GT	11, 13	123203GT	115	123932GT	87
102058GT	81	114445GT	15	123222GT	219	1252554GT	67, 69
10258GT	137	115328GT	79	123225GT	225	1252570GT	63, 65
102598GT	91	117043GT	139, 197	123228GT	115	1252577GT	61
102600GT	95	117044GT	139, 197	123232GT	27-28	1252627GT	61
102630GT	95	117046GT	99	123245GT	219	1252670GT	67
102632GT	91	117048GT	99	123245GT	219	1252673GT	71, 73
102635GT	91	117050GT	101	123261GT	193	1252674GT	67, 69, 71, 73
102638GT	91	117149GT	31	123273GT	115	1254613GT	181
102639GT	91	117152GT	31	123277GT	125	1255050GT	27-28
102641GT	95	117260GT	95	123291GT	103-104	1255051GT	27-28
102642GT	95	117473GT	91	123327GT	91	1255052GT	27-28
102643GT	91	117513GT	31	123328GT	91	1255248GT	71
102644GT	91	117539GT	31	123329GT	91	1259376GT	87
102645GT	95	117567GT	139, 197	123331GT	91	1259377GT	87
104328GT	27-28, 227	117586GT	99	123337GT	93	1259532GT	71, 73
105695GT	217	117587GT	101	123338GT	93	1259548GT	67
108097GT	28	117659GT	217, 237, 239, 241	123339GT	93	1259570GT	91
108460GT	25	117681GT	81	123351GT	91	1261779GT	237, 239
108476GT	139	117694GT	111, 161, 163	123362GT	95	1261780GT	237, 239, 241
108477GT	25	117923GT	25	123363GT	95	1261781GT	237, 241
108478GT	25	117926GT	27-28	123367GT	115	1270119GT	139
108479GT	25	123079GT	93	123425GT	104	1274515GT	75
108489GT	17	123080GT	95	123445GT	227	1277507GT	67
108491GT	17	123082GT	93	123548GT	123	1278432GT	79
108496GT	19	123084GT	91	123556GT	31	1281452GT	79
108498GT	17	123085GT	91	123559GT	17, 31, 139	1283159GT	87
108520GT	233, 235	123086GT	95	123561GT	103-104	1289104GT	103-104, 115
108527GT	79	123088GT	91	123562GT	103-104	130000GT	83
108528GT	79	123089GT	95	123565GT	139	130001GT	83
108529GT	97	123091GT	91	123567GT	103-104, 115	130002GT	83
108530GT	101	123098GT	95	123568GT	115	130003GT	83
108532GT	83	123105GT	91	123569GT	115	130004GT	83, 85
108540GT	83	123114GT	21, 169	123572GT	103-104, 107	130005GT	83
108541GT	83	123131GT	139	123573GT	103-104, 109	130006GT	83
108542GT	83	123133GT	103-104	123574GT	103-104	130007GT	83
108543GT	83	123134GT	103-104	123576GT	139	130009GT	83
108548GT	87	123135GT	103-104	123577GT	17	13000GT	131, 141, 143, 233, 235
108549GT	83	123136GT	103-104	123580GT	227, 233	130010GT	83
108556GT	83	123137GT	103-104	123581GT	227	130011GT	83
108558GT	141, 143, 233, 235	123138GT	103-104, 233, 235	123595GT	83	130012GT	83
108559GT	233, 235	123142GT	25	123651GT	113	130015GT	83
108560GT	233, 235	123147GT	21, 169	123661GT	237	130016GT	89
108561GT	141, 143	123148GT	139	123663GT	103-104	130016GT	89
108562GT	141, 143	123149GT	23	123668GT	231, 233	130017GT	89
108570GT	109	123150GT	23	123669GT	231, 233	130018GT	83
108576GT	25, 141, 143	123151GT	21	123670GT	141, 143, 153, 233	130019GT	83
108581GT	31	123153GT	139	123671GT	147, 151, 153, 233, 235	130021GT	85
108585GT	107	123161GT	101	123672GT	233	130022GT	85, 87
108612GT	101	123162GT	125, 127, 133, 135	123673GT	149, 153, 233, 235	130023GT	85
108654GT	17	123168GT	123	123674GT	233	130024GT	85
108666GT	161	123169GT	121	123677GT	103-104	130025GT	85
108667GT	137	123174GT	127, 129	123688GT	103-104	130026GT	85
108670GT	103-104	123176GT	131, 141, 143, 151, 153, 233, 235	123758GT	233	130027GT	85
108672GT	155	123177GT	129, 133, 141, 143, 145, 233, 235	123798GT	103-104	130028GT	89
108674GT	17	123179GT	233, 235	123800GT	103-104	130029GT	87
108675GT	107	123180GT	233, 235	123830GT	21, 171	130030GT	87
108676GT	103-104	123181GT	233, 235	123838GT	141, 143, 145, 233, 235	130031GT	87
108713GT	125			123839GT	103-104	130032GT	87
108717GT	107			123840GT	103-104, 149	130033GT	87
108744GT	83			123841GT	103-104	130034GT	87
108745GT	83					130035GT	87
108746GT	83					130036GT	87
110129GT	151					130038GT	87
						130040GT	87

Part Number	Page	Part Number	Page	Part Number	Page	Part Number	Page
130041GT	89	141652GT	239, 241	226616GT	95	31788GT	11
130042GT	89	141653GT	217, 237	226617GT	95	34052GT	237, 239, 241
130043GT	89	141654GT	217, 237	226618GT	95	34550GT	17, 123
130045GT	89	141788GT	109	226620GT	95	36456GT	131, 141, 143
130046GT	89	141946GT	15, 104	226624GT	91	36603GT	121, 135
130048GT	89	141950GT	27-28	226625GT	93	37505GT	81, 113
130076GT	243	14392GT	91	226626GT	93	38509GT	137
130077GT	243	14723GT	131, 141, 143,	226627GT	95	4-1074-8BGT	125, 129
130078GT	243		233, 235	226628GT	95	4-1118-16GT	227
130294GT	103-104, 109	150003GT	249	226639GT	91	4-1118GT	227
130295GT	103-104, 109	150004GT	249	226640GT	91	4-1170GT	227
130296GT	219	15086GT	79	226641GT	91	4-1292GT	227
130297GT	219	15513GT	115	226642GT	91	4-1525GT	27-28
130298GT	223	16073GT	151	226876GT	119	4-1528GT	227
130301GT	225	169930GT	241	226877GT	119	4-1685GT	79
130312GT	27-28	18730GT	125, 129	226880GT	119	4-2065GT	79
130339GT	95	19506GT	103-104	226881GT	119	4-2360GT	103-104
130345GT	103-104	19934GT	21, 25, 27-28,	227784GT	201	4-2361GT	103-104
130351GT	207		79, 107, 139,	22786GT	27-28, 137	4-2363GT	103-104
130354GT	87		219, 237	22788GT	131	4-2365GT	237
130386GT	121, 123, 127,	2-1067-10GT	227	227903GT	91	4-2367GT	103-104
	129	2-1067-11GT	227	227989GT	59	4-2370GT	101
130480GT	103-104	2-1067-12GT	227	228986GT	173, 175, 177	4-2371GT	97
130485GT	31	2-1166GT	97, 99	228987GT	177	4-2377GT	97
130506GT	31	2-1261GT	237	229015GT	27-28	43018GT	199
130535GT	121, 135	2-1354GT	237, 239, 241	229016GT	249	44662GT	121
130687GT	15, 103-104	2-1355GT	237	229025GT	243	45415GT	147, 203
130688GT	15, 103-104	21130GT	113	229037GT	237, 239, 241	45748GT	127, 129
130689GT	15, 103-104	214425GT	83	229038GT	237, 241	46716GT	31
130690GT	15, 103-104	214426GT	83	229053GT	79, 139	46718GT	103-104
130691GT	15, 104	21496GT	89	231132GT	91	47094GT	27-28, 119
130692GT	15, 104	215481GT	237, 239	231140GT	245	47279GT	119
130693GT	15, 104	21604GT	125, 129, 233,	231141GT	245	4828GT	17, 21, 27-28,
130701GT	15, 104		235	231142GT	245		79, 99, 121, 125,
130702GT	15, 104	216155GT	91	231143GT	245		129, 131, 133,
130703GT	15, 104	218100GT	103-104	231144GT	245		135, 141, 143,
130704GT	15, 104	226222GT	119	231145GT	245		151, 233, 235
130705GT	15, 104	226223GT	119	231146GT	245	49363GT	117
130706GT	15, 104	226403GT	217	231148GT	245	49364GT	223
130707GT	15, 104	226404GT	217	231149GT	245	49409GT	17, 79, 85
130770GT	11	226405GT	217	231150GT	245	49816GT	91, 115, 139
130810GT	97	226406GT	217	231151GT	245	49818GT	115
130811GT	101	226407GT	217	231152GT	139	49819GT	21
130813GT	115	226435GT	91	231154GT	13	5-2001-8GT	31
130814GT	115	226436GT	93	231163GT	139	5-2001-9GT	31
130815GT	79	226438GT	91	234778GT	247	5-2005GT	97
130816	103-104	226440GT	91	234779GT	247	5-2025GT	155, 157, 161
130816GT	79	226441GT	91	234780GT	247	5-2030GT	121
130857GT	97	226442GT	91	234850GT	79	5-2032GT	119, 129
130859GT	113	226451GT	93	234856GT	237, 239	5-2033GT	119
130870GT	115	226453GT	93	234857GT	237, 239, 241	5-2038GT	125, 129, 233,
130883GT	31	226454GT	35	234858GT	237, 241		235
130884GT	31	226455GT	93	234953GT	79	5-2039GT	131
130885GT	31	226456GT	35	235126GT	243	5-2040-243GT	123, 129
130913GT	79	226457GT	113	235393GT	119	5-2040-257GT	121, 129
130914GT	79	226458GT	171	236304GT	91	5-2041-11GT	25
130917GT	181	226459GT	171	236305GT	91	5-2041-18GT	121, 135
130918GT	181	226460GT	91	236808GT	11	5-2041-19GT	127, 129
130919GT	181	226463GT	171	236809GT	11	5-2041-1GT	131
130920GT	181	226570GT	201, 203	238363GT	117	5-2041-20GT	227
130921GT	181	226574GT	91	27826GT	83	5-2041-21GT	27-28
130922GT	181	226580GT	203	28159GT	11	5-2041-22GT	17
130943GT	79	226582GT	225	28162GT	11, 13	5-2041-25GT	27-28
133059GT	11	226583GT	203	28175GT	11	5-2041-2GT	125, 129, 233,
13775GT	121	226584GT	203	28646GT	227		235
138029GT	109	226585GT	203	29752GT	89	5-2041-31GT	25
138077GT	43	226586GT	203	29868GT	31, 123, 131,	5-2041-32GT	227
138083GT	139	226587GT	203		139, 233, 235,	5-2042-1GT	137
13854GT	27-28, 227	226588GT	203		237	5-2044GT	137
13918GT	17, 25, 27-28	226589GT	203	3-1213GT	113	5-2046-1GT	121
14033GT	133, 141, 143,	226590GT	203	3-1349GT	97, 99	5-2046-3GT	125, 129
	233, 235	226592GT	203	3-1360-1GT	17, 85	5-2046-4GT	119, 129, 137
141309GT	121, 135	226606GT	28	3-1360-2GT	17, 85	5-2048-1GT	119
141336GT	243	226612GT	91	3-1376GT	139, 151, 153	5-2070GT	25
141650GT	217, 237	226614GT	95	3-1390GT	21	5-2079GT	151
141651GT	237	226615GT	95	30143GT	23		

## Part Number Index (continued)

Part Number	Page	Part Number	Page	Part Number	Page	Part Number	Page
5-2084GT	121, 125, 127, 129, 133, 135	6-5606-22GT	141, 143, 145, 185, 187, 189, 191	6-6453-07GT	149, 151, 233, 235	6-7014-792GT	233, 235
5-2095GT	123, 131	6-6201-04GT	109, 139, 147, 151, 157, 161, 233, 235	6-6453-09GT	141, 143, 149, 151	6-7022-100GT	161, 163
5-2096GT	131, 233, 235	6-6201-06GT	17	6-6453-10GT	139	6-7022-172GT	161
5-2099-7GT	125, 127, 129	6-6201-10GT	17	6-6453-11GT	141, 143	6-7022-28GT	147
5-2100-6GT	121, 125, 127, 129, 133, 135	6-6205-05GT	101, 107	6-6453-12GT	141, 143, 145	6-7022-30GT	141, 143, 145, 159
5-2101-4GT	125, 127, 129	6-6205-06GT	25	6-6453-13GT	145	6-7022-34GT	147
5-2129GT	121, 125, 129, 133	6-6206-20GT	227	6-6453-15GT	85, 165, 167	6-7022-44GT	147
5-2131GT	119	6-6206-24GT	135, 137	6-6453-25GT	139	6-7022-60GT	141, 143, 147, 155, 157, 161
5-2132-6GT	133, 135	6-6208-04GT	113	6-6454-06GT	151	6-7022-88GT	161
5-2133-6GT	121, 135	6-6211-10GT	17	6-6455-05GT	139, 147, 151, 153, 155, 157, 161, 163	6-7023-120GT	147
5-2134GT	121, 135	6-6211-20GT	28	6-6455-15GT	147, 155, 157	6-7023-28GT	161, 163
5-2135GT	121, 135	6-6212-04GT	25, 31, 81, 97, 99, 103-104, 107, 109, 141, 143, 147, 153, 157, 161, 219, 223	6-6457-03GT	141, 143, 145, 159	6-7023-318GT	149
5-2136GT	131, 233, 235	6-6212-08GT	79, 85, 225	6-6457-05GT	141, 143, 145, 159	6-7023-32GT	147, 153, 155, 157
5-2137GT	121	6-6212-10GT	17	6-6457-06GT	139	6-7023-40GT	233, 235
5-2138GT	127, 129	6-6214-06GT	141, 143, 145, 183, 185, 187, 189, 191	6-6457-10GT	139	6-7023-62GT	147, 151, 153, 155, 157, 161, 163, 233, 235
5-2139GT	141, 143, 233, 235	6-6243-06GT	121, 123, 127, 129	6-6459-01GT	165	6-7023-74GT	233
5-2140GT	141, 143	6-6252-04GT	165, 167	6-6475-07GT	233, 235	6-7024-388GT	149
5-2142GT	233, 235	6-6252-07GT	79	6-6476-07GT	141, 143	6-7025-36GT	139, 141, 143, 151, 153
50793GT	129, 141, 143, 145	6-6252-09GT	79	6-6480-03GT	147	6-7033-336GT	151
5224GT	27-28, 131	6-6252-20GT	169, 171	6-6480-07GT	141, 143	6-7045-44GT	85, 165, 167
5365GT	89	6-6275-04GT	137	6-6481-03GT	161, 163	6-7088-43GT	139
53909GT	17	6-6284-05GT	237	6-6481-05GT	163	6-7156-234GT	139
5397GT	27-28, 119	6-6286-04GT	237	6-6481-07GT	141, 143	6-7801-132BGT	23
54177GT	139	6-6286-05GT	219	6-6482-03GT	161, 163	6-7802-88BGT	23
56123GT	89	6-6400-18GT	167	6-6482-05GT	161, 163	6-8108-55GT	113
56912GT	25, 31, 129, 141, 143	6-6400-19GT	165, 167	6-6485-03GT	141, 143	6-8112-35GT	17, 79, 85
57201GT	101, 103-104, 107, 161, 163, 165, 167	6-6402-02GT	155, 157, 161, 163	6-6486-01GT	161, 163	6-8506-40GT	221
58322GT	103-104	6-6406-04GT	81	6-6495-07GT	161	6-8508-30GT	221
58566GT	83	6-6413-03GT	165	6-6600-14GT	137	6-8510-40GT	17, 85
6-2524-10GT	27-28, 137	6-6422-01GT	81, 169	6-7002-100GT	141, 143, 153, 161, 163	6-8514-25GT	81, 113
6-4516-24GT	173, 175, 177	6-6423-07GT	169	6-7002-17GT	141, 143, 147	6-9101-06GT	221
6-4524-32GT	173, 175	6-6423-08GT	169	6-7002-204GT	147, 155, 157	6-9101-08GT	113
6-5204-04GT	81, 103-104, 107, 109, 115, 219, 221	6-6423-18GT	165, 167	6-7002-210GT	161, 163	6-9105-08GT	221
6-5204-06GT	25, 31, 107, 111, 113, 139, 141, 143, 147, 161, 163, 219	6-6424-05GT	169	6-7002-244GT	147	6-9111-08GT	113
6-5204-08GT	25, 97, 99	6-6435-03GT	155, 157, 161, 163	6-7002-26GT	141, 143, 147	6-9111-10GT	17, 85
6-5204-10GT	103-104, 109, 219	6-6436-01GT	139	6-7002-276GT	147	6-9611-320GT	165
6-5204-12GT	109, 151, 219, 233, 235	6-6437-04GT	165	6-7002-34GT	147, 159	6-9611-448GT	167
6-5204-14GT	147, 151, 153	6-6440-02GT	161, 163	6-7002-62GT	153	6-9611-464GT	165
6-5204-18GT	157	6-6450-03GT	161	6-7002-74GT	151	6-9611-512GT	167
6-5204-30GT	161	6-6450-05GT	141, 143, 145, 147, 153, 159, 161, 163, 203	6-7002-84GT	153	6019GT	99
6-5205-08GT	79, 107, 161, 163	6-6450-06GT	151, 161, 163	6-7002-86GT	153	6021GT	17, 83, 85, 89, 91, 99, 107, 139, 149, 227
6-5205-10GT	101, 153, 249	6-6450-12GT	139, 149	6-7003-100GT	161, 163	6033GT	23, 28, 79, 85, 103-104, 139, 227
6-5205-12GT	219, 221, 223, 237	6-6450-15GT	139, 141, 143, 151, 153	6-7003-130GT	161, 163	6038GT	103-104, 153, 221, 223, 249
6-5205-16GT	141, 143, 151	6-6450-16GT	165, 167	6-7003-136GT	157	6090GT	129
6-5205-20GT	151	6-6450-17GT	139, 141, 143	6-7003-144GT	155	6091GT	31, 97, 99, 109, 119, 127, 129, 219
6-5205-22GT	153	6-6450-20GT	85, 165, 167	6-7003-174GT	163	6097GT	17, 31, 83, 107, 133, 141, 143, 233, 235
6-5205-30GT	233, 235	6-6450-27GT	139	6-7003-180GT	161	61100-2400GT	139
6-5206-16GT	79	6-6450-36GT	161	6-7003-20GT	153	6146GT	115, 219
6-5208-08GT	23	6-6452-03GT	153, 233, 235	6-7003-212GT	147, 149, 155, 157	6198GT	25, 27-28, 119, 131, 137
6-5208-20GT	79, 85	6-6452-04GT	141, 143, 149	6-7003-22GT	153	62428GT	91
6-5208-30GT	25, 27-28, 227	6-6452-06GT	141, 143	6-7003-244GT	149	6356GT	81, 103-104, 107, 111, 113, 115, 139, 147, 151, 153, 157, 161, 163, 233, 235
6-5212-48GT	17, 25	6-6452-08GT	139	6-7003-40GT	141, 143, 151	61100-2400GT	139
6-5220-20GT	28	6-6452-17GT	141, 143	6-7003-56GT	153	6146GT	115, 219
6-5306-14GT	17, 85	6-6452-19GT	147, 151, 159	6-7003-74GT	153, 233	6198GT	25, 27-28, 119, 131, 137
6-5603-06GT	225	6-6453-03GT	145	6-7003-90GT	151	62428GT	91
6-5605-06GT	165, 167	6-6453-04GT	139, 141, 143, 147, 151, 153, 161, 163	6-7004-256GT	139	6356GT	81, 103-104, 107, 111, 113, 115, 139, 147, 151, 153, 157, 161, 163, 233, 235
6-5606-04GT	139	6-6453-07GT	141, 143, 145, 149, 151, 153, 161, 163	6-7004-352GT	149	64154GT	151
6-5606-14GT	141, 143, 183	6-6453-09GT	141, 143, 145, 149, 151, 153, 161, 163	6-7004-44GT	151	6605GT	121, 135
		6-6453-10GT	139	6-7005-120GT	141, 143	6638GT	119, 129
		6-6453-11GT	141, 143	6-7005-158GT	145		
		6-6453-12GT	141, 143	6-7005-172GT	141, 143		
		6-6453-13GT	145	6-7005-180GT	141, 143		
		6-6453-15GT	85, 165, 167	6-7005-184GT	145		
		6-6453-25GT	139	6-7005-188GT	141, 143		
		6-6454-06GT	151	6-7005-200GT	141, 143		
		6-6455-05GT	139, 147, 151, 153, 155, 157, 161, 163	6-7005-32GT	141, 143		
		6-6457-03GT	141, 143, 145, 159	6-7006-37GT	85, 165, 167		
		6-6457-05GT	141, 143, 145, 159	6-7014-184GT	233, 235		
		6-6457-06GT	139	6-7014-768GT	141, 143		
		6-6457-10GT	139				
		6-6459-01GT	165				
		6-6475-07GT	233, 235				
		6-6476-07GT	141, 143				
		6-6480-03GT	147				
		6-6480-07GT	141, 143				
		6-6481-03GT	161, 163				
		6-6481-05GT	163				
		6-6481-07GT	141, 143				
		6-6482-03GT	161, 163				
		6-6482-05GT	161, 163				
		6-6485-03GT	141, 143				
		6-6486-01GT	161, 163				
		6-6495-07GT	161				
		6-6600-14GT	137				
		6-7002-100GT	141, 143, 153, 161, 163				
		6-7002-17GT	141, 143, 147				
		6-7002-204GT	147, 155, 157				
		6-7002-210GT	161, 163				
		6-7002-244GT	147				
		6-7002-26GT	141, 143, 147				
		6-7002-276GT	147				
		6-7002-34GT	147, 159				
		6-7002-62GT	153				
		6-7002-74GT	151				
		6-7002-84GT	153				
		6-7002-86GT	153				
		6-7003-100GT	161, 163				
		6-7003-130GT	161, 163				
		6-7003-136GT	157				
		6-7003-144GT	155				
		6-7003-174GT	163				
		6-7003-180GT	161				
		6-7003-20GT	153				
		6-7003-212GT	147, 149, 155, 157				
		6-7003-22GT	153				
		6-7003-244GT	149				
		6-7003-40GT	141, 143, 151				
		6-7003-56GT	153				
		6-7003-74GT	153, 233				
		6-7003-90GT	151				
		6-7004-256GT	139				
		6-7004-352GT	149				
		6-7004-44GT	151				
		6-7005-120GT	141, 143				
		6-7005-158GT	145				
		6-7005-172GT	141, 143				
		6-7005-180GT	141, 143				
		6-7005-184GT	145				
		6-7005-188GT	141, 143				
		6-7005-200GT	141, 143				

## Part Number Index (continued)

Part Number	Page	Part Number	Page	Part Number	Page	Part Number	Page
6886GT	79, 103–104, 149, 151, 153, 237, 249	7-126-371GT	57	7-126-475GT	47, 49, 51	7-132-166GT	107
6889GT	31, 103–104	7-126-372GT	57	7-126-476GT	47, 49, 51	7-132-186GT	223
7-101-04GT	137	7-126-383GT	59	7-126-477GT	47, 51	7-132-188GT	219
7-109-02GT	101	7-126-384GT	33	7-126-478GT	47, 49	7-132-190GT	221, 223
7-109-03GT	101	7-126-385GT	33, 35	7-126-479GT	47, 49	7-132-191GT	221, 223
7-109-04GT	101	7-126-386GT	33, 35	7-126-480GT	47, 51	7-132-192GT	221, 223
7-109-14GT	101	7-126-387GT	33, 35	7-126-481GT	47, 51	7-132-193GT	219, 221, 225
7-109-16GT	101	7-126-388GT	33, 35	7-126-483GT	49	7-132-195GT	219
7-109-17GT	101	7-126-389GT	33	7-126-484GT	49	7-132-197GT	219, 223
7-110-02GT	161, 163	7-126-391GT	33, 35, 43	7-126-485GT	49, 51	7-132-198GT	221
7-110-03GT	161, 163	7-126-392GT	35	7-126-486GT	49	7-132-199GT	221
7-112-05GT	85	7-126-394GT	35	7-126-487GT	49	7-132-200GT	223
7-112-09GT	205	7-126-395GT	35	7-126-489GT	49	7-132-201GT	221
7-112-16GT	207	7-126-399GT	35	7-126-490GT	49	7-132-202GT	223
7-112-18GT	207	7-126-400GT	35	7-126-491GT	49	7-132-204GT	223
7-112-19GT	207	7-126-401GT	35	7-126-493GT	51	7-132-205GT	221
7-112-20GT	207	7-126-402GT	35	7-126-494GT	51	7-132-207GT	225
7-112-21GT	207	7-126-403GT	35	7-126-495GT	51	7-132-210GT	225
7-112-22GT	207	7-126-404GT	35	7-126-496GT	51	7-132-213GT	225
7-112-23GT	207	7-126-405GT	35	7-126-497GT	51	7-132-214GT	115
7-112-25GT	207	7-126-407GT	35	7-126-498GT	51	7-132-215GT	115
7-112-29GT	207	7-126-409GT	35	7-126-499GT	51	7-132-223GT	219
7-112-30GT	207	7-126-410GT	35, 43	7-126-500GT	53	7-132-232GT	219
7-112-31GT	207	7-126-411GT	37	7-126-506GT	57	7-132-235GT	219
7-112-32GT	207	7-126-412GT	37	7-126-507GT	57	7-132-236GT	219
7-112-33GT	207	7-126-413GT	37	7-126-512GT	57	7-132-237GT	221
7-112-35GT	207	7-126-414GT	37	7-126-516GT	59	7-132-238GT	223
7-112-36GT	207	7-126-415GT	37	7-126-517GT	79, 85, 139	7-132-244GT	109
7-112-40GT	207	7-126-416GT	37	7-126-518GT	37	7-132-245GT	109
7-112-45GT	205	7-126-417GT	37	7-126-519GT	43	7-132-246GT	109, 219
7-112-46GT	205	7-126-418GT	37	7-126-520GT	43	7-132-247GT	109, 219
7-112-61GT	205	7-126-419GT	37	7-126-521GT	43	7-132-41GT	225
7-112-62GT	205	7-126-420GT	37	7-126-522GT	43	7-132-42GT	225
7-112-63GT	79, 139, 205, 207	7-126-421GT	37	7-126-54GT	59	7-132-74GT	109, 219, 221, 223
7-118-03GT	139, 197	7-126-422GT	39	7-126-60GT	59	7-132-84GT	109, 219, 221, 223
7-118-05GT	197	7-126-423GT	39	7-126-63GT	57	7-132-85GT	221, 223
7-118-06GT	197	7-126-424GT	39	7-126-64GT	57	7-144-01GT	107
7-118-07GT	197	7-126-425GT	39	7-126-671GT	35	7-144-02GT	115
7-118-08GT	197	7-126-428GT	39	7-126-684GT	43	7-144-03GT	107
7-118-09GT	197	7-126-429GT	39	7-126-688GT	33	7-144-07GT	109
7-119-01GT	249	7-126-431GT	39, 45	7-126-767GT	17, 79, 91	7-144-08GT	107
7-121-01GT	21, 169, 171	7-126-432GT	39	7-126-768GT	55	7-144-09GT	107
7-121-02GT	21, 169	7-126-434GT	41	7-126-772GT	53	7-144-10GT	103–104
7-121-07GT	21, 169	7-126-435GT	41	7-126-773GT	55	7-144-11GT	115
7-121-08GT	169	7-126-436GT	41	7-126-774GT	55	7-147-04GT	103–104
7-125-05GT	103–104	7-126-437GT	41	7-126-775GT	55	7-147-41GT	103–104
7-125-06GT	239	7-126-438GT	41	7-126-776GT	55	7-147-44GT	103–104
7-126-04GT	33, 35	7-126-439GT	41	7-126-777GT	55	7-147-56GT	193
7-126-05GT	35	7-126-440GT	41	7-126-779GT	55	7-158-47GT	169
7-126-215GT	43	7-126-441GT	41	7-126-780GT	55	7-158-72GT	79
7-126-233GT	37	7-126-442GT	43	7-128-01GT	27–28	7-158-73GT	79
7-126-234GT	37	7-126-443GT	43	7-128-02GT	27–28	7-161-01GT	139
7-126-265GT	35	7-126-444GT	43	7-128-11GT	27–28	7-162-02GT	237, 239, 241
7-126-270GT	35	7-126-445GT	43	7-128-12GT	27–28	7-164-01GT	103–104
7-126-277GT	37	7-126-446GT	43	7-128-15GT	28	7-164-02GT	103–104, 237, 239, 241
7-126-307GT	53	7-126-448GT	43	7-128-16GT	28	7-166-06GT	27–28
7-126-33GT	35	7-126-450GT	43	7-132-108GT	107	7-166-07GT	28
7-126-349GT	43	7-126-451GT	43	7-132-124GT	225	7-166-08GT	28
7-126-350GT	43	7-126-453GT	43	7-132-136GT	221	7-166-17GT	27–28
7-126-351GT	59	7-126-455GT	43	7-132-138GT	221	7-166-18GT	27–28
7-126-355GT	33	7-126-456GT	43	7-132-141GT	219	7-166-19GT	27–28
7-126-356GT	35	7-126-457GT	45	7-132-145GT	109, 219	7-166-20GT	27–28
7-126-357GT	35	7-126-458GT	45	7-132-146GT	109	7-166-23GT	28
7-126-358GT	35	7-126-459GT	45	7-132-147GT	103–104, 107	7-166-24GT	28
7-126-359GT	35	7-126-460GT	45	7-132-148GT	107	7-166-25GT	27–28
7-126-360GT	37	7-126-461GT	45	7-132-149GT	107	7-166-26GT	27–28
7-126-361GT	43	7-126-464GT	45	7-132-150GT	107	7-168-02GT	153, 217
7-126-362GT	43	7-126-465GT	47	7-132-151GT	107	7-169-01GT	115
7-126-363GT	53	7-126-466GT	47	7-132-152GT	107	7-169-02GT	115
7-126-364GT	53	7-126-468GT	47, 49, 51	7-132-153GT	107	7-169-03GT	115
7-126-365GT	53	7-126-469GT	47	7-132-154GT	107	7-169-04GT	115
7-126-366GT	53	7-126-470GT	47, 49, 51	7-132-155GT	107	7-169-05GT	115
7-126-368GT	53	7-126-471GT	47, 49, 51	7-132-156GT	107	7-169-06GT	115
7-126-369GT	53	7-126-472GT	47, 49, 51	7-132-159GT	107		
		7-126-473GT	47, 49, 51	7-132-164GT	109, 219		
		7-126-474GT	47, 49, 51				

## Part Number Index (continued)

Part Number	Page	Part Number	Page	Part Number	Page	Part Number	Page
7-169-09GT	81	7-200-66GT	201	7-229-604GT	67	7-229-966GT	71
7-169-10GT	93	7-200-68GT	201	7-229-605GT	71, 73	7-229-967GT	71, 73
7-169-11GT	81	7-200-69GT	201	7-229-606GT	71, 73	7-229-968GT	71
7-169-12GT	81	7-200-76GT	201	7-229-608GT	73	7-229-969GT	71, 73
7-173-05GT	151, 161, 163, 165, 167	7-200-77GT	201	7-229-609GT	71, 73	7-229-970GT	71
7-173-07GT	151	7-200-78GT	201	7-229-610GT	71, 73	7-229-971GT	71
7-173-11GT	31	7-200-80GT	201	7-229-611GT	71, 73	7-229-973GT	71
7-173-14GT	221	7-200-91GT	201	7-229-612GT	71, 73	7-229-974GT	71
7-173-17GT	223	7-200-93GT	201	7-229-613GT	71, 73	7-229-975GT	71
7-173-26GT	219	7-200-94GT	201	7-229-617GT	73	7-229-976GT	71
7-173-27GT	221	7-200-95GT	201	7-229-618GT	75	7-229-977GT	71
7-173-28GT	221	7-200-96GT	201	7-229-619GT	77	7-229-978GT	71
7-181-16GT	243	7-202-01GT	83	7-229-620GT	69	7-229-979GT	71
7-182-08GT	181	7-202-05GT	83	7-229-621GT	69	7-229-980GT	71
7-182-09GT	181	7-209-61GT	183, 185, 187, 189	7-229-622GT	69	7-229-981GT	71
7-182-13GT	181	7-209-66GT	139	7-229-623GT	67	7-229-982GT	71
7-182-35GT	181	7-213-04GT	237	7-229-624GT	67	7-229-983GT	71
7-182-36GT	181	7-229-520GT	61	7-229-648GT	51	7-229-984GT	71
7-182-37GT	181	7-229-521GT	61	7-229-649GT	51	7-229-985GT	71
7-182-38GT	181	7-229-525GT	61	7-229-669GT	75	7-229-986GT	71
7-183-146GT	79	7-229-526GT	61, 67	7-229-677GT	67	7-229-987GT	71
7-183-184GT	79	7-229-527GT	61, 67	7-229-678GT	67	7-229-988GT	71
7-183-188GT	165	7-229-528GT	63, 65	7-229-679GT	67	7-229-989GT	71
7-183-200GT	79	7-229-530GT	63, 65	7-229-680GT	67	7-229-990GT	71
7-183-240GT	113	7-229-531GT	63, 65	7-229-681GT	67	7-229-991GT	71
7-183-38GT	79	7-229-532GT	63, 65	7-229-683GT	67	7-229-994GT	65
7-183-96GT	79	7-229-533GT	63, 65	7-229-692GT	67	7-234-01GT	141, 143, 185
7-183-98GT	97	7-229-535GT	63, 65	7-229-716GT	63	7-234-02GT	141, 143, 183
7-190-04GT	79	7-229-536GT	63, 65	7-229-717GT	63	7-234-03GT	145, 187, 189
7-191-02GT	139	7-229-536GT	63, 65	7-229-718GT	63	7-234-04GT	141, 143, 151, 191
7-194-07GT	113	7-229-537GT	63, 65	7-229-719GT	63	7-234-103GT	233, 235
7-194-18GT	113	7-229-538GT	63, 65	7-229-720GT	63	7-234-13GT	199
7-194-20GT	113	7-229-539GT	67	7-229-721GT	63	7-234-16GT	183
7-194-40GT	115	7-229-540GT	63, 65	7-229-722GT	63	7-234-17GT	233, 235
7-194-82GT	107	7-229-541GT	63, 65	7-229-723GT	63	7-234-18GT	191, 231
7-194-86GT	225	7-229-543GT	63, 65	7-229-724GT	63	7-234-19GT	185
7-194-87GT	223	7-229-544GT	63, 65	7-229-725GT	63	7-234-21GT	191
7-194-89GT	221	7-229-546GT	65	7-229-726GT	63	7-234-22GT	187
7-195-01GT	31	7-229-547GT	63, 65	7-229-727GT	63	7-234-24GT	183
7-200-05GT	117	7-229-548GT	63, 65	7-229-729GT	63	7-234-25GT	185
7-200-106GT	201	7-229-549GT	63, 65	7-229-730GT	63	7-234-28GT	199
7-200-107GT	201	7-229-550GT	63, 65	7-229-731GT	63	7-234-29GT	185, 191, 231
7-200-108GT	201	7-229-551GT	63, 65	7-229-732GT	63	7-234-30GT	187, 189
7-200-109GT	201	7-229-554GT	63, 65	7-229-733GT	63	7-234-31GT	183, 185
7-200-111GT	201	7-229-555GT	63, 65	7-229-803GT	71	7-234-35GT	231
7-200-113GT	201	7-229-556GT	65	7-229-823GT	67	7-234-37GT	199
7-200-114GT	201	7-229-557GT	63, 65	7-229-830GT	27-28	7-234-46GT	231
7-200-115GT	201	7-229-558GT	63, 65	7-229-888GT	19	7-234-50GT	141, 143, 159
7-200-117GT	201	7-229-559GT	63, 65	7-229-896GT	17	7-234-53GT	189
7-200-11GT	117	7-229-562GT	67	7-229-897GT	19	7-234-54GT	141, 143, 189
7-200-120GT	201	7-229-564GT	67	7-229-898GT	19	7-234-60GT	189
7-200-121GT	201	7-229-565GT	67	7-229-899GT	19	7-234-80GT	185, 199
7-200-122GT	201	7-229-566GT	67	7-229-900GT	19	7-234-84GT	233, 235
7-200-123GT	201	7-229-568GT	67	7-229-901GT	19	7-234-94GT	151, 153, 159, 199
7-200-124GT	201	7-229-570GT	67	7-229-902GT	19	7-234-97GT	199
7-200-128GT	117	7-229-573GT	67	7-229-925GT	61	7-244-27GT	147, 151, 155, 157, 161, 233, 235
7-200-129GT	117	7-229-574GT	67	7-229-927GT	63	7-244-31GT	209, 211, 233, 235
7-200-12GT	117	7-229-575GT	67	7-229-931GT	67	7-256-27GT	159
7-200-139GT	117	7-229-576GT	67	7-229-940GT	63	7-269-43GT	139
7-200-14GT	117	7-229-578GT	67	7-229-943GT	63, 65	7-272-13GT	139
7-200-155GT	117	7-229-582GT	67	7-229-944GT	63	7-273-27GT	151
7-200-156GT	117	7-229-583GT	67	7-229-945GT	63	7-273-32GT	129, 133, 141, 143, 145, 233, 235
7-200-157GT	117	7-229-586GT	67	7-229-946GT	67	7-273-37GT	153
7-200-158GT	117	7-229-587GT	67	7-229-947GT	67	7-277-01GT	131
7-200-159GT	117	7-229-588GT	67	7-229-948GT	67	7-280-02GT	227
7-200-15GT	117	7-229-589GT	67	7-229-952GT	67	7-282-05GT	97, 99
7-200-160GT	117	7-229-590GT	67	7-229-956GT	67	7-289-03GT	237, 239
7-200-161GT	117	7-229-591GT	67	7-229-957GT	71	7-289-04GT	237, 239, 241
7-200-163GT	117	7-229-592GT	67	7-229-957GT	71	7-289-05GT	237, 239
7-200-16GT	117	7-229-596GT	67	7-229-959GT	71		
7-200-19GT	117	7-229-597GT	67	7-229-960GT	71		
7-200-37GT	201	7-229-599GT	67	7-229-961GT	71		
7-200-46GT	201	7-229-600GT	67	7-229-962GT	71		
7-200-52GT	201	7-229-601GT	61, 67	7-229-963GT	71		
7-200-64GT	201	7-229-602GT	67	7-229-964GT	71		
		7-229-603GT	67	7-229-965GT	71		

Part Number	Page	Part Number	Page	Part Number	Page
7-289-06GT	237	7-359-17GT	161, 163	97676GT	15
7-289-07GT	237, 241	7-359-18GT	161, 163	Apr-65GT	239
7-302-01GT	159	7-364-22GT	139	May-31GT	27-28
7-304-07GT	153, 217	7-367-02GT	155, 157, 161	T106381GT	121, 125, 133,
7-314-01GT	239	7-367-03GT	215		135
7-316-150GT	173, 175, 177	7-367-04GT	213, 215	T106382GT	123, 131, 133,
7-316-189GT	177	7-367-05GT	209, 213, 215		135, 233, 235
7-316-205GT	175	7-367-09GT	147	T106383GT	127, 129
7-316-232GT	179	7-367-10GT	209	T107982GT	15, 104
7-316-233GT	179	7-367-11GT	209	T109235GT	103-104
7-316-234GT	175	7-367-13GT	153	T109284GT	15
7-316-236GT	177	7-367-14GT	213	T109285GT	15
7-316-245GT	175	7-367-18GT	213, 215	T109286GT	15
7-316-246GT	177	7-367-19GT	209	T109287GT	15
7-316-247GT	173, 175, 177,	7-369-01GT	103-104	T109288GT	15
	179	7-371-04GT	157, 161, 163	T109289GT	13
7-316-249GT	177	7-379-22GT	229	T109507GT	15
7-316-250GT	177	7-379-23GT	229	T109508GT	15
7-316-262GT	179	7-379-26GT	229	T110618GT	15
7-316-263GT	179	7-379-28GT	229	T110619GT	11, 13
7-316-264GT	179	7-379-29GT	229	T110620GT	11, 13
7-316-289GT	179	7-379-33GT	229	T110843GT	173
7-316-293GT	177	7-379-36GT	229	T110958GT	141, 177
7-316-294GT	177	7-379-37GT	229	T110960GT	179
7-316-29GT	177, 179	7-379-38GT	229	T111121GT	175
7-316-30GT	175	7-379-39GT	229	T113263GT	91
7-316-35GT	177, 179	7-379-40GT	229	T113552GT	217
7-316-36GT	175	7-379-41GT	229	T113835GT	243
7-316-383GT	175	7-379-42GT	229	T113836GT	243
7-316-409GT	173	7-379-43GT	229	T113837GT	243
7-316-410GT	173	7-379-44GT	229	T113838GT	243
7-316-411GT	173	7-379-45GT	229	T113839GT	243
7-316-412GT	173	7-900-117GT	173	T113840GT	243
7-316-413GT	173	7-900-152GT	85, 165, 167	T113841GT	243
7-316-414GT	173	7-900-180GT	181	T114334GT	95
7-316-415GT	173	7-900-21GT	175	T114340GT	91
7-316-416GT	173	7-900-22GT	175, 177	T114349GT	91
7-316-417GT	173	7-900-23GT	179	T114409GT	95
7-316-49GT	177, 179	7-900-86GT	229	T114410GT	95
7-316-53GT	179	7-900-88GT	77	T114411GT	95
7-316-74GT	179	7-990-22GT	141	T115360GT	225
7-316-80GT	175	73613GT	83		
7-316-81GT	175	74323GT	25		
7-316-82GT	175	75042GT	233, 235		
7-316-83GT	177	75321GT	95		
7-316-84GT	177	75326GT	91		
7-316-85GT	179	75331GT	91		
7-316-86GT	179	75332GT	91		
7-316-87GT	179	75342GT	95		
7-319-03GT	115	75343GT	93, 95		
7-319-14GT	97, 99	75391GT	83		
7-319-15GT	237	77051GT	17, 25, 125		
7-319-21GT	81, 93	7713GT	25, 91		
7-319-31GT	237, 239, 241	77692GT	25, 31, 107, 139,		
7-321-88GT	217		149, 219, 227		
7-321-89GT	217	823664GT	249		
7-321-90GT	217	82366GT	11		
7-326-02GT	17	825019GT	17, 25, 27-28,		
7-337-01GT	103-104		131		
7-345-172GT	139	82558GT	11, 13		
7-345-173GT	139	8914GT	31		
7-345-48GT	139	8915GT	119, 127, 129		
7-347-02GT	225	94195GT	89, 107, 139, 237		
7-359-02GT	149	94434GT	83		
7-359-03GT	195	94643GT	119		
7-359-04GT	195	97664GT	11, 13		
7-359-06GT	195	97665GT	15		
7-359-07GT	195	97666GT	15		
7-359-08GT	195	97667GT	11, 13		
7-359-09GT	195	97668GT	15		
7-359-10GT	195	97669GT	15		
7-359-11GT	195	97670GT	15		
7-359-12GT	195	97672GT	15		
7-359-13GT	195	97673GT	13, 15		
7-359-14GT	195	97674GT	13		
7-359-16GT	155, 157	97675GT	13		

## Part Description Index

The Part Description Index is an alphabetical index of all part descriptions included in this manual. The index shows what page(s) the part is used on.

	<b>#</b>		
#10,45DEG BULKHEAD.....	141, 143		
#8,90 DEG ORFS SWIVEL.....	233, 235		
	<b>1</b>		
1ST&2ND SHAFT,DRUM,PLUG&SEAT.....	51		
	<b>2</b>		
2ND GEAR CLUTCH/BEARING ASSY.....	39		
	<b>3</b>		
3/8 FUEL HOSE / PER INCH.....	169		
3RD SHAFT-DRUM & PLUG ASSY.....	49		
	<b>5</b>		
5/8 LONG HANDLE.....	195		
	<b>6</b>		
6 FJIC SW X 6 MJIC RN X 4 ORBT.....	217, 237		
6MM X 1.00 HEX NUT.....	221		
	<b>8</b>		
8 MM FLAT WASHER.....	221		
8MM LOCKWASHER.....	113		
8MM X 1.25 HEX NUT.....	113		
	<b>9</b>		
90RING 18.0 X 2.20MM, VITON.....	55		
	<b>A</b>		
A CLU PISTON.....	51		
ACCELERATOR CABLE / SAF-T-CAB.....	113		
Accumulator Spool.....	57		
ACCUMULATOR,BRAKE.....	161, 163		
ADAPTER / PUMP.....	43		
ADAPTER HARNESS,BRAKE LT PS.....	237		
ADAPTER HOSE,INTAKE,PERKINS.....	91		
ADAPTER,04 FORB X02 MP.....	217, 237		
ADAPTER-FUEL FILTER, PERK 1104.....	91		
ADAPTOR, F130.....	203		
ADJUSTING BOLT.....	71, 73		
ADJUSTING SCREW KIT.....	201		
AIR CLEANER ASSEMBLY.....	101		
AIR CLEANER ASSY,PERKINS.....	101		
AIR INTAKE PIPE.....	101		
AIR INTAKE TUBE.....	101		
AIR PIPE,INTAKE,PERKINS.....	91		
AIR TIRES,13X24+COUNTERWEIGHT.....	28		
AIRCLEANER ASSY,DEUTZ-2012.....	101		
ALTERNATOR.....	83		
ALTERNATOR,95 AMP,JD.....	79		
ALTERNATOR,PERK T3 6/8K.....	95		
ANCHOR,CHAIN.....	127, 129		
ANCHOR,EXTEND CHAIN.....	121		
ARM,STCIII,24"WET WIPER.....	225		
ARTICULATED TIE ROD.....	75		
ARTICULATION.....	67		
ASSY,DIPSTICK.....	35		
ASSY,GEAR & BEARING.....	39		
ASSY,LOAD CHART HOLDER,644/8XX...	103-104		
		ASSY,MID BOOM.....	121, 123, 125, 127, 129, 131, 133, 135
		ASSY,MID BOOM,BLUE,644.....	119
		ASSY,MID BOOM,BLUE,844.....	119
		ASSY,MID BOOM,GREY,644.....	119
		ASSY,MID BOOM,GREY,844.....	119
		ASSY,ROD,SWAY CYL.,O.E.MFG.....	181
		ASSY,SMALL BOOM W/BRGS.....	119
		ASSY,TUBE,SWAY CYL.,O.E.MFG.....	181
		ASSY,VALVE COVER,PERK T3 6/8K.....	95
		AXLE ASSEMBLY,FRONT.....	17
		AXLE ASSEMBLY,REAR.....	17
		AXLE CASE.....	67
		<b>B</b>	
		BACK UP RING.....	201
		BACK-UP RING.....	71, 73, 77, 175, 177, 179, 195, 201
		Back-up Ring.....	229
		BALL.....	195
		BALL BEARING.....	67
		BALL CHECK VALVE ASSEMBLY.....	43
		BANJO.....	83
		BANJO BOLT,FUEL SUPPLY LINE.....	83
		Barrel Assembly.....	175, 179, 229
		BATTERY CABLE (BLK).....	23
		BATTERY CABLE (RED).....	23
		BATTERY,12V,1000 CCA GRP 31.....	23
		BEACON.....	237
		BEARING.....	37, 39, 41, 45, 47, 49, 51, 67, 195
		BEARING / NEEDLE.....	37
		BEARING,1.5 X 2.0 X 2.5.....	121, 135
		BEARING,1.50IDX2.06ODX2.56L.....	121
		BEARING,2.00IDX2.50ODX1.50L.....	119
		BEARING,2.00IDX2.56ODX1.25L.....	125, 129
		BEARING,3.00IDX3.50ODX2.00L.....	119, 129, 137
		BEARING,BALL.....	41, 53
		BELT / V-RIBBED.....	83
		BELT,FAN,DEERE 6/8K T3,AC.....	243
		BELT,V, PERKINS 1004-42 (SB).....	91
		BELT,V,(2) PERKINS 1104C-44.....	91
		BEVEL GEAR SET.....	63
		Bias Spring.....	205
		BLEEDER BOLT.....	71, 73
		BLOCK VALVE.....	245
		BLOWER, 12V.....	245
		BODY.....	183, 185, 191, 213, 215, 231
		Body.....	199
		BOLT.....	33, 35, 63, 65, 67
		BOLT / #10-24 x 3/4 BUTTON HEA.....	219
		BOLT / 8mm x 35mm / C-SUNK ALL.....	221
		BOLT / COUNTERSUNK.....	67, 71
		BOLT / CYLINDER.....	71
		BOLT / GRUB.....	71
		BOLT / STRIKER.....	221
		BOLT 1/4-28 X 3/4.....	225
		BOLT,1 1/4-12X4 3/4.....	227
		BOLT,1/4-20 TRI-WING KNOB.....	107
		BOLT,CARRIAGE,3/8-16 X1.00,G5.....	151
		BOLT,CARRIAGE,3/8-16X2.25.....	151
		BOLT,EXH MAN M10X1.5X45,PER T3.....	95
		BOLT,FLANGE,3/8-16X.875,LT.....	125, 127, 129
		BOLT,FLYWHEEL,PERK T3 6/8K.....	95
		BOLT,HMB,2-12X5 7/8,GR8.....	227
		BOLT,VLV COVER,6MM,PERK T3 6/8.....	95
		BOLT/3/8 UNF-2AX3/4 LG.....	17
		BOOT.....	63, 117
		BOWL / FUEL FILTER.....	91
		BRACKET.....	201
		BRACKET,AC COMP, PERK 1104.....	243
		BRACKET,WASHER RESERVOIR.....	219
		BRAKE CAM.....	71
		BRAKE CYLINDER.....	71
		BRAKE DISC.....	51, 71, 73
		BRAKE PEDAL,FLOOR MOUNT.....	111, 161, 163
		BREATHER / AIR.....	35
		BREATHER,FILLER,3 PSI.....	139
		BREATHER-FILLER,1.5" NECK,3PSI.....	139
		BRKT,ENG HARNESS MOUNT.....	93
		BRKT,RADIATOR MOUNT.....	91
		BRKT,SIDE RAD SUPPORT.....	91
		BRKT,TOP RAD SUPPORT.....	91
		BRONZE BUSHING.....	173, 175, 177
		Buffer Seal.....	173, 175
		BULB / HEADLIGHT for 7-162-02.....	237, 239, 241
		BUMPER, SNAP-IN.....	31
		BUSHING.....	37, 67, 83
		BUSHING / REDUCTION.....	71
		BUSHING, RUBBER.....	21, 169, 171
		BUSHING,RUBBER,LARGE.....	21, 169
		BUSHING/BASE END.....	181
		BUSHING/REDUCTION.....	71
		BUSHING/ROD END.....	181
		By-pass Valve for 7-118-01.....	197
		<b>C</b>	
		CAB LIGHT.....	237, 239, 241
		CAB, OPEN.....	219
		CAB, OPEN WITH PLEXIGLASS.....	109
		CABLE ASSY,THROTTLE,9".....	113
		CANOPY ASSY,ISO MOUNTED,STCIII.....	109
		CAP / FILLER.....	83
		CAP ASSEMBLY.....	201
		CAP SCREW.....	45
		CAP SCREW,SH,10-24 X 0.75.....	225
		CAP, PERKINS RADIATOR, 6/8/10K.....	91
		CAP,OIL FILLER,PERKINS 1104C.....	91
		CAPSCREW.....	221
		CAPSCREW / HEX HEAD.....	17, 81, 85, 113
		CAPSCREW 6MM X 1.00 X 40MM LG.....	221
		CARD,LOAD RNG,644 CAT ADPT.....	15, 104
		CARD,LOAD RNG,644 PIN ON BKT.....	15, 103-104
		CARD,LOAD RNG,644 PIN ON TB.....	15, 103-104
		CARD,LOAD RNG,644 QA BKT.....	15, 104
		CARD,LOAD RNG,644 QA TB.....	15, 104
		CARD,LOAD RNG,644 QA&ROT.....	15, 104
		CARD,LOAD RNG,644 STD FKS.....	15, 103-104
		CARD,LOAD RNG,644 SWG CARR.....	15, 103-104
		CARD,LOAD RNG,844 CAT ADPT.....	15, 104
		CARD,LOAD RNG,844 PIN ON BKT.....	15, 104
		CARD,LOAD RNG,844 PIN ON TB.....	15, 104
		CARD,LOAD RNG,844 QA BKT.....	15, 104
		CARD,LOAD RNG,844 QA TB.....	15, 104
		CARD,LOAD RNG,844 QA&ROT.....	15, 104



- CARD,LOAD RNG,844 STD FKS.....15, 104  
CARD,LOAD RNG,844 SWG CARR.....15, 104  
CARTRIDGE.....209, 213  
CARTRIDGE / C-BALANCE.....187  
CARTRIDGE / C-BALANCE\*\*\*.....185  
CARTRIDGE / CHECK.....183, 185, 199  
CARTRIDGE / COUNTERBALANCE VALVE.....189  
CARTRIDGE / DIFF.LOCK.....215  
CARTRIDGE / MODULAR CONTROL.....153, 217  
CARTRIDGE / NEEDLE.....199, 233, 235  
CARTRIDGE / PILOT CHECK.....191, 217, 231  
CARTRIDGE / REDUCING.....199  
CARTRIDGE / REDUCING-RELIEVING.....217  
CARTRIDGE / RELIEVING.....199  
CARTRIDGE / SHUTTLE.....217  
CASING.....245  
CENTER BEZEL.....115  
CHAIN ANCHOR, BOLT ON.....123  
CHAIN SHEAVE ASSY,POLYGON.....121, 135  
CHAIN,BL-666 LEAF,243 LINKS.....123, 129  
CHAIN,BL-666 LEAF,257 LINKS.....121, 129  
CHARGE PUMP ASSY.....43  
CHECK VALVE.....43  
CHECK VALVE ASSEMBLY.....201  
CHECK VALVE PIN.....43  
CIRCLIP.....61, 63, 65, 67, 71  
CIRCUIT BREAKER BOOT.....103-104  
CIRCUIT BREAKER,40AMP.....103-104  
CLAMP.....245  
CLAMP - SOLENOIDS.....55  
CLAMP BRACKET, EXHAUST, 3.....97, 99  
CLAMP CVR PLATE, TWIN,GRP 3.....129, 133, 141, 143, 145, 233, 235  
CLAMP HALVES,TWIN,1/4" TUBE.....153  
CLAMP HALVES,TWIN,3/8" PIPE.....151  
CLAMP HALVES,TWIN,5/8" TUBE.....131, 141, 143, 233, 235  
CLAMP HALVES,TWIN,7/8" TUBE.....129, 133, 141, 143, 145, 233, 235  
CLAMP,0.63,#10 X 1/4,RUB CUSH.....151  
CLAMP,9/16 TO 1-1/14.....85  
CLAMP,ADHESIVE BACK,3/8.....237  
CLAMP,HOSE.....165, 167  
CLAMP,MUFFLER,3 1/4".....97, 99  
CLAMP,RADIATOR HOSE.....79  
CLAMP,T-HOSE,2 1/8 IN NOM.....139  
CLAMP,TURBO-EXHAUST PIPE.....97  
CLAMP,WORM.....87  
CLAMPING RING.....117  
CLEVIS YOKE-1/4-28,PLTD W/PIN.....113  
CLIP / GLASS RETAINER.....109, 219  
COIL.....209, 213, 215  
COIL,CONDENSER,HVAC,8K.....247  
COIL,PROTECTIVE,PLASTIC...141, 143, 145, 233, 235  
COLD START CIRCUIT BREAKER.....93  
COLD START RELAY.....93  
COLLAR.....27-28, 137, 227  
COLUMN, STEERING, 225MM.....103-104  
COMPENSATOR,REXROTH PUMP.....139  
COMPRESSOR,AC,PERK1104.....243  
CONNECTOR,070120-4-6.....141, 143, 145, 147, 153, 159, 161, 163, 203  
CONNECTOR,ORIF,6-6,.062.....151  
CONNECTOR,RUBBER,AIR INTAKE.....101  
CONSOLE, FRONT.....107  
CONTACT BRUSH SET(HORN).....103-104  
CONTROL BLOCK.....151, 153, 159, 199  
CONTROL CABLE BRACKET SHIM.....89  
CONTROL KIT.....207  
CONTROLLER, 4 WAY.....117, 147  
CONVERTER.....37  
CONVERTER HOUSING.....33  
COOLANT RECOVERY BOTTLE,GTH.....87  
COOLANT TEMP SENSOR.....83  
COOLER MOUNTING ASSEMBLY.....87  
COOLER,TRANSMISSION.....165  
COPPER TUBE, 5/8.....245  
CORE ASSY.....197  
COTTERPIN,3/32X3/4LG...121, 123, 127, 129  
Counterweight / Cast.....25  
COUPLING W/PORT,AIR INTAKE.....101  
COVER.....67, 245  
Cover / Front.....119  
Cover / Rear.....119, 129  
COVER, CONTROL PANEL.....115  
COVER, SIDE CONSOLE.....107  
COVER,BATTERY ACCESS.....31  
COVER,CONTROL PANEL.....115  
COVER,ENGINE ACCESS.....31  
COVER,STC PLASTIC BOLT...109, 219, 221, 223  
COVER, TOP ENGINE.....31  
CROSS AND BEARING.....19  
CYLINDER.....75, 77  
CYLINDER ASSY,BOOM TH844.....119  
CYLINDER BOLT.....63, 65, 75  
CYLINDER ROD / FOR 7-316-238 C.....177  
CYLINDER ROD 2.50 X 160".....179  
CYLINDER, SWAY (DEUTZ CHASSIS).....151, 153  
CYLINDER,BOOM EXT,GTH844,644.....131, 145, 179  
CYLINDER,BOOM LIFT, GTH844.....173  
CYLINDER,BOOM LIFT,GTH644.....175  
CYLINDER,LIFT GTH-644.....143  
CYLINDER,LIFT TH844.....141  
CYLINDER,ROTATE\*\*\*.....227, 233  
CYLINDER,SWAY/REAR LOCK-UP.....181  
CYLINDER,TILT GTH-644.....143  
CYLINDER,TILT, GTH8XX,GTH644.....119, 141, 177
- D**
- Danger - Fall Hazard, No Riders.....13, 15  
DASH PANEL,STCIII.....103-104, 107, 115  
DECAL KIT, GTH, 6K, COMPLETE.....11  
DECAL KIT, GTH, 8K, COMPLETE.....11  
DECAL, A-D, GTH844, WHITE.....13  
DECAL,AUX AND SWAY CNTRLS 6K8K.....15  
DECAL,AUX CNTRLS INST 6K8K.....15  
DECAL,AXLE DIFFERENTIAL LO.....15  
D E C A L , B O D Y C R U S H , R O L L I N G MACHIN.....11, 13  
DECAL,BOOM ANGLE INST 6K8K.....13  
DECAL,CHEVRON RANDO HD.....11  
DECAL,COSMETIC,GENIE GTH-644.....11, 13  
DECAL,COSMETIC,GENIE GTH-844.....11, 13  
DECAL,COSMETIC,GENIE LOGO,WHT.....11  
DECAL,COSMETIC,GTH 644 SMALL.....11, 13  
DECAL,COSMETIC,GTH844 SMALL.....11, 13  
DECAL,DANGER,BATTERY SAFETY\*\*\*.....11  
DECAL,DANGER,CRUSH HAZARD.....15  
DECAL,DANGER,ELECTRICAL HAZARD.....15  
DECAL,DANGER,TIP OVER SWAY.....15  
DECAL,DANGER,TIP OVER TIRES AF.....11, 13  
DECAL,DANGER,TIP OVER TIRES,FF.....11, 13  
DECAL,DASH GANG SWITCHES.....115  
DECAL,DIESEL.....11  
DECAL,DUAL CNTRLS INST 6K8K.....15  
DECAL,FALLING OBJECT HAZARD.....11, 13  
DECAL,GLOW PLUGS.....95  
DECAL,LABEL DASH SWITCHES 6&8K.....15  
DECAL,LABEL DASH SWITCHS,OPTNS.....15  
DECAL,LABEL,IGNITION.....15  
DECAL,PB,WARNING LT & PUMP.....115  
DECAL,SINGLE CNTRLS INST,6K8K.....15  
DECAL,STEERING SELECTOR,6K8K.....15  
DECAL,TIRE ROTATE,CRUSH.....11, 13  
DECAL,TRANSMISSION CONTROL.....15  
DECAL,TRUSS BOOM WARNING.....11  
DECAL,WARN,BURN HAZARD.....11, 13  
DECAL,WARN,EXPLSION/BURN HAZ.....13  
DECAL,WARN,FALLING OBJECT HAZ.....15  
DECAL,WARN,OVERTURN HAZARD.....15  
DECAL,WARN,READ MANUAL.....15  
DECAL,WARN,SKIN INJECTION HAZ\*.....11, 13  
DECAL,WARN,WEAR SEAT BELT.....15  
DECAL,WARNING,CRUSHING.....11, 13  
DECAL,WARNING,NO LOAD CHART.....15  
DECAL,WARNING-COMPART ACCESS.....11  
DECAL,WARNING-EXPLOSION/ENGINE.....11  
DETENT BALL.....63, 71  
DIFFERENTIAL.....65  
DIFFERENTIAL ASSY.....63  
DIFFERENTIAL CARRIER.....63, 65  
Differential Pinion.....65  
DIFFERENTIAL SIDE GEAR.....63, 65  
DIODE/HARNESS.....81  
DIPSTICK.....35, 93  
DIPSTICK,DEUTZ-BF4M2012.....83  
DISC.....47, 49  
DISC SPRING ASSEMBLY.....47, 49, 51  
DISC SPRING ASSY.....51  
DISPLAY,ENGINE DIAGNOSTIC.....115  
DOOR ASSY. COMPLETE / LOWER/ S.....221  
DOOR HINGE PIN E-CLIP.....221, 223  
DOOR KEY / SAF-T-CAB III.....221  
DOOR LATCH / EXTERIOR.....221  
DOOR LATCH / SPLIT DOOR.....223  
DOOR POST / STC III.....219  
DOOR STRAP / 7 IN.....225  
DOOR STRIKER.....225  
DOUBLE UNIVERSAL JOINT.....67  
DOWEL.....71, 73  
DRIVE PLATE ASSY KIT.....59  
DRIVE PLATE KIT.....59  
DRIVE SHAFT ASSY, REAR (SHORT).....19  
DRIVESHAFT,FRONT,TH644/8XX.....19  
DROP TUBE ASSY,3/8 FUEL,6K/8K.....21, 171  
DUCTING KIT, 3" DIAMETER.....243  
Dust Seal.....193
- E**
- ELBOW / EXHAUST.....95  
ELBOW,070221-4-4.....147, 203  
ELBOW,1/8" NPT BRASS.....89  
ELBOW,BULKHEAD UNION 520701-8.....233, 235  
ELEMENT,RETURN FILTER\*\*\*.....139, 197  
END BEZEL.....115

## Part Description Index (continued)

- END PLATE.....45  
 ENG ASSY,PERK,T2,6/8K,REMAN.....91  
 ENG ASSY,PERKINS 1104D-44T T3.....91  
 ENG PKG ASSY,JD TIER3,644-8XX.....79  
 ENG,ASSY,PERK,1104C-44T,T2,6/8.....91  
 ENG/TRAN PKG,PERK,TII,644/8XX.....91  
 ENG/TRANS,PK 1104D-44T,AC,TPEM.....91  
 ENGINE FUEL PRE-FILTER.....83  
 ENGINE HARNESS ASSY.....93  
 ENGINE&PUMP ASSY,DEUTZ-2012.....79  
 ENGINE,DEUTZ,99HP,BF4M2012.....83  
 EVAPORATOR COIL.....245  
 EXHAUST ASEMBLY,PERKINS.....99  
 EXHAUST ASSY,DEUTZ-2012.....97  
 EXHAUST ASSY,JD TIER3, 644-8XX.....97  
 EXHAUST BRACKET, 3 1/2.....97, 99  
 EXHAUST FLANGE.....97  
 EXHAUST FLANGE,PERKINS ENG.....99  
 Exhaust Pipe.....97  
 EXHAUST PIPE, DEUTZ ENGINE.....97  
 EXHAUST PIPE,JD TIER3,644-8XX.....97  
 EXHAUST PIPE,PERKINS ENG.....99  
 EXPANDER.....37
- F**
- FAN / PERKINS ENGINE.....91  
 FAN ASSEMBLY.....225  
 FAN BELT.....79  
 FAN BELT,99 HP,W/AC COMP.....79  
 FAN DRIVE HOUSING.....91  
 FAN GUARD.....91  
 FAN GUARD,18".....79  
 FAN SHROUD.....91  
 FAN,BLOWER,18-INCHES.....79  
 FAN,CONDENSER,HVAC,8K.....247  
 FAN/ENGINE/DEUTZ BF4M 2012.....83  
 FASTENER,HOUSING,OIL FILTER.....91  
 FENDER,FULL WHEEL,UTILITY.....249  
 FILLER CAP, FUEL, BREATHER.....21, 169  
 FILTER / ENGINE OIL / SPIN-ON.....83  
 FILTER / FUEL / SPIN-ON.....83  
 FILTER ELEMENT / PRIMARY.....101  
 FILTER HEAD (29560).....83  
 FILTER,FUEL, PERKINS 1104C.....91  
 FILTER,OIL,PERKINS 1104C-44.....91  
 FIRST DRIVEN GEAR.....39  
 FITTING.....81, 139, 147, 169  
 Fitting / 08 JIC X 08 ORfs Sw. Str.....233, 235  
 Fitting / 10 JIC M. X 10 JIC M. Str.....141, 143, 233, 235  
 Fitting / 10 JIC Swivel 90.....141, 143  
 FITTING, 02 NPT COUPLING.....161, 163  
 FITTING, 04 JIC, TEE.....161, 163  
 FITTING, 04 JIC,SW-RN-TEE.....161, 163  
 FITTING, 06 JIC, UNION TEE.....161, 163  
 FITTING, 06OR X 06 JIC STR..147, 151, 153, 233, 235  
 FITTING, 08 OR X 04 JIC STR...151, 161, 163  
 FITTING, 08 OR X 06 JIC STR.....149, 153, 233, 235  
 FITTING, 14MM OR X 06 JIC,STR.....157, 161, 163  
 FITTING, 90, 3/8 HOSE.....21, 169  
 FITTING, AIR BREATHER, DEUTZ.....165, 167  
 FITTING,02 NPT M X 04 JIC STR.....161, 163  
 FITTING,02 NPT X 04 NPT CPLG.....155, 157, 161, 163  
 FITTING,03 OR X 04 JIC STR.....161
- FITTING,04 NPT X 06 JIC 90SW.....155, 157, 161, 163  
 FITTING,04 OR OR HEX HEAD PLUG.....141, 143, 145  
 FITTING,04 OR X 04 JIC 90.....145  
 FITTING,04 OR X 04 JIC STR.....161  
 FITTING,06 JIC SW-RN-TEE.....163  
 FITTING,06 OR X 04 JIC 45.....147, 151, 159  
 FITTING,06 OR X 04 JIC 90.....139, 141, 143, 147, 151, 153, 161, 163  
 FITTING,06 OR X 04 JIC RN-TEE....147, 155, 157  
 FITTING,06 OR X 06 JIC 90.....141, 143, 153, 233  
 FITTING,06 OR X 06 JIC RN-TEE....139, 147, 151, 153, 155, 157, 161, 163  
 FITTING,06 OR,HEX HEAD PLUG..141, 143, 145, 159  
 FITTING,06 SAE X 06 COMP,90.....233  
 FITTING,06 X 04 JIC REDUCER.....161  
 FITTING,06OR X 06 JIC 45.....153, 233, 235  
 FITTING,08 OR X 06 JIC 90.....149, 151, 233, 235  
 FITTING,08 OR X 08 JIC 45.....141, 143, 149  
 FITTING,08 OR X 08 JIC 90.....141, 143, 149, 151  
 FITTING,08 OR X 08 JIC BR-TEE.....151  
 FITTING,08 OR X 08 JIC STR.....139, 149  
 FITTING,08 OR X 10 JIC 90.....141, 143  
 FITTING,08 OR X 10 JIC STR..139, 141, 143, 151, 153  
 FITTING,08NPT ST ELBOW,BLK.....165  
 FITTING,08X06JIC EXP.....233, 235  
 FITTING,1/2 PIPE NIPPLE.....165  
 FITTING,1/4GASX06JIC90.....155  
 FITTING,10 JIC BH-UNION,STR.....233, 235  
 FITTING,10 JIC, SW-RUN-TEE.....141, 143  
 FITTING,10 JIC,SW-BR-TEE.....141, 143  
 FITTING,10 OR X 08 JIC 90.....139  
 FITTING,10 OR X 10 JIC 45.....141, 143  
 FITTING,10 OR X 10 JIC 90.....141, 143, 145  
 FITTING,10 OR X 10 JIC, SWIV.....141, 143  
 FITTING,10 ORX10 JIC STR.....165, 167  
 FITTING,10ORX10JIC,STRAIGHT.....85, 165, 167  
 FITTING,12 OR X 10 JIC 45.....141, 143  
 FITTING,12 OR X 10 JIC 90.....145  
 FITTING,12 OR X 10 JIC STR.....139, 141, 143  
 FITTING,12 OR X 12 JIC 45.....139  
 FITTING,12ORX12JIC,90.....85, 165, 167  
 FITTING,14MM X 06 JIC RN-TEE.....161  
 FITTING,16 OR HEX HEAD PLUG.....139  
 FITTING,16 OR X 16 JIC STR.....139  
 FITTING,18MMX08 NPT,RED.....165  
 FITTING,20 OR X 16 JIC 90.....139  
 FITTING,20 OR X 20 NPT, STR.....139  
 FITTING,3/4 MALE TO 3/4 FEMALE.....85  
 FITTING,3/4 NPT X 5/8 BARB.....85  
 FITTING,90DEG,1/2"ID.....169  
 FITTING/24 OR X 24 JIC O STR.....139  
 FLANGE.....63, 65  
 FLANGE PLUG.....53  
 FLANGE RETAINING RING.....53  
 FLASHER.....239  
 Flat Seal.....117  
 FLATWASHER 6MM ID X 12 MM OD.....221  
 FLEX JOINT, EXHAUST MOUNT.....97, 99  
 FLEX PLATE w/ WELD NUTS.....59
- FLGHC,1/2-13X15,GR5,ZN,LOC.....121, 125, 133, 135  
 FLGHCS,1/2-13X1,GR5,ZN,LOC.....127, 129  
 FLGHCS,1/2-13X1.75,GR8,BLK,PH.....125, 127, 133, 135  
 FLGHCS,3/8-16X1.25.GR5,ZN,LOC.....123, 131, 133, 135, 233, 235  
 FLYWHEEL HOUSING,PERKINS ENGIN.....95  
 FLYWHEEL,PERKINS ENGINE.....95  
 FORK FRAME, 48" NONROT PIN 844.....27-28  
 FORK FRAME, 60" ROT PIN 844.....227  
 FORK FRAME, 72" ROT 844.....227  
 FORK FRAME,48" ROT PIN 844.....227  
 FORMED TUBE.....233  
 Forming / Bulkhead Bracket.....123, 131  
 Forming / Hardline Bracket.....131, 233, 235  
 Forming / Hose Holder.....151  
 FORMING,BATTERY HOLDDOWN.....23  
 FORMING,ENG COVER SUPPORT.....31  
 FORMING,HOSE GUIDE.....25, 141, 143  
 FORMING,LOAD CHART HOLDER BACK.....104  
 FRAME / UPPER DOOR.....223  
 FRICTION WASHER.....63, 65  
 FRONT MOUNT TRAY.....87  
 FTG,1/8-27 90 DEG STREET EL.....171  
 FTG,FUEL SAE J2044 3/8 BARB.....171  
 FUEL FILTER HEAD,JD4045.....79  
 FUEL FILTER,PRIMARY,JD-4045.....79  
 FUEL GAUGE.....115  
 FUEL LINE,3/8".....171  
 FUEL SUPPLY LINE,1/2 INCH.....83  
 FUEL SUPPLY LINE,3/8 INCH.....83  
 FUSE BLOCK.....103-104  
 FUSE,10 AMP,ATC.....103-104  
 FUSE,20 AMP.....93, 103-104  
 FUSE,5 AMP.....103-104
- G**
- GASKET.....225  
 GASKET - OIL PAN, PERKIN 1104C.....95  
 GASKET / ADAPTER to PLATE.....43  
 GASKET / DOOR HOLD-BACK.....219  
 GASKET / OIL FILTER HEAD.....91  
 GASKET / PLATE to TRANS.....35  
 GASKET HYDR.RESEVOIR 6&8K.....139  
 GASKET,COMPENSATOR.....139  
 GASKET,EXHAUST.....97, 99  
 GASKET,INTAKE PIPE.....91  
 GASKET,PUMP,DRIVE.....79, 85, 139  
 GASKET-PUMP WATE,PERK 1104C-44.....91  
 GAUGE, ENG OIL PRESSURE.....115  
 GAUGE, TRANSMISSION OIL TEMP.....115  
 GAUGE,ENGINE WATER TEMP.....115  
 GAUGE,RETURN FILTER.....139, 197  
 GAUGE,TRANSMISSION OIL PRESS.....115  
 GEAR.....37, 41  
 GEAR WITH BEARING.....39  
 GLAND,SWAY CYLINDER,O.E.MFG.....181  
 GLASS / DOOR / TOP / SAF-T-CAB.....223  
 GLASS / REAR.....103-104, 109  
 GLASS / RH SIDE / SAF-T-CAB II.....103-104, 109  
 GLASS / TOP SKYLIGHT / SAF-T-C.....219  
 GLASS / WINDSHIELD / SAF-T-CAB.....219  
 Glass seal.....219, 221, 225  
 GREASE FITTING.....67, 69, 71  
 GROMMET.....115

GROUND WIRE.....81

**H**

HOSE,08X08X176LG.....149  
 HOSE,4X4-90X15".....141, 143, 145, 159  
 HANDLE / INSIDE DOOR LATCH / S.....221  
 HANDLE ASSEMBLY.....117  
 HANDLE ASSY / STEEL.....117  
 HANDLE GRIP.....117  
 Harness / Column Mounted Shifter.....103-104  
 Harness / Instrument Panel.....103-104  
 Harness / Main Power.....103-104  
 Harness / Rear Lock-Up.....103-104  
 HARNESS, AC, CHASSIS.....243  
 HARNESS, AC, IN-CAB.....243  
 HARNESS, TIER 3 ADAPTER.....79, 103-104  
 HARNESS,COLD START,SAUER,TH.....139  
 HARNESS,ENGINE,TIER III 99HP.....79  
 HARNESS,HEADLIGHT.....237, 239, 241  
 HARNESS,ROAD LIGHT,TURN SIG.....237  
 HARNESS,STROBE LIGHT.....237  
 HARNESS,TAIL&BACK UP LIGHT.....237  
 HARNESS,THROTTLE PEDAL.....113  
 HARNESS,TURN SIGNAL,PS.....239, 241  
 HARNESS,TURN/TAIL/HAZARD,TH.....237, 239, 241  
 HARNESS,WORK LIGHTS, BACK.....103-104  
 HDPE,LOAD CHART HOLDER.....103-104  
 Head.....173, 175, 177, 181  
 HEAD / CYLINDER.....179  
 HEAD / OIL FILTER.....91  
 HEAD BACK-UP RING.....173  
 HEADLIGHT ASSY,6XX/8XX.....237, 239  
 HEAT/AC DUCTING GASKET KIT.....243  
 HEATER COIL.....245  
 HEATER LOUVER,STL,12GA.....107  
 HEAVY WIRE TIE,1/4 X 18.....85  
 HEX HEAD CAPSCREW.....113  
 HINGE.....223  
 HINGE LR DOOR/STCIII/ W ST DR.....221  
 HINGE PIN.....221, 223  
 HINGE,ACCESS COVER.....31  
 HINGE,BAT COV & ENG ENCLOSURE.....31  
 Hinged Arm Rest, Black Plastic.....107  
 HOLE PLUG, 1 3/16.....103-104  
 HOLE PLUG, 1 3/8.....115  
 HOLE PLUG, 3 IN.....103-104, 107  
 HOLE PLUG, 3/4 DIA.....107  
 HOLE PLUG, 3/8 DIA.....109  
 HOLE PLUG, 5/16 DIA.....107  
 HOLE PLUG, 5/8 DIA.....115  
 HOLE PLUG, 7/16 DIA.....107  
 HOLE PLUG,1 1/8 DIA.....107  
 HOOK, BATTERY HOLD DOWN.....23  
 HORN.....103-104  
 HORN BUTTON KIT\*\*\*.....103-104  
 HOSE ASSY.....139  
 HOSE ASSY,AC,COMP/COND,JD.....243  
 HOSE ASSY,AC,COMP/COND,PERK.....243  
 HOSE ASSY,AC,COND/DRIER.....243  
 HOSE ASSY,AC,DRIER/EVAP.....243  
 HOSE ASSY,AC,EVAP/COMP,JD.....243  
 HOSE ASSY,AC,EVAP/COMP,PERK.....243  
 HOSE BARB ELBOW, 1/2 X 3/8.....83  
 HOSE CLAMP.....101, 169, 171  
 HOSE CLAMP,SAE #6.....83  
 HOSE CLAMP,PERKINS ENGINE.....91  
 HOSE CLAMP,SAE #4.....83  
 HOSE END,12-08 MALE PIPE.....165, 167

HOSE, 3/8".....87  
 HOSE, 4X4-90X17".....147  
 HOSE, 5/8".....85  
 HOSE, RADIATOR, LOWER.....87  
 HOSE, RADIATOR, UPPER.....87  
 HOSE,04X04-90X14LG.....161  
 HOSE,04X04-90X30LG.....141, 143, 147, 155, 157, 161  
 HOSE,04X04-90X44LG.....161  
 HOSE,04X04-90X50.....161, 163  
 HOSE,04X04X102LG.....147, 155, 157  
 HOSE,04X04X105LG.....161, 163  
 HOSE,04X04X122LG.....147  
 HOSE,04X04X138LG.....147  
 HOSE,04X04X31LG.....153  
 HOSE,04X04X37LG.....151  
 HOSE,04X04X42LG.....153  
 HOSE,04X04X43LG.....153  
 HOSE,04X04X50LG.....141, 143, 153, 161, 163  
 HOSE,04X04X8 1/2LG.....141, 143, 147  
 HOSE,06X06-90X14LG.....161, 163  
 HOSE,06X06-90X159LG.....149  
 HOSE,06X06-90X20LG.....233, 235  
 HOSE,06X06-90X31LG.....147, 151, 153, 155, 157, 161, 163, 233, 235  
 HOSE,06X06-90X37LG.....233  
 HOSE,06X06-90X60LG.....147  
 HOSE,06X06X106LG.....147, 149, 155, 157  
 HOSE,06X06X122LG.....149  
 HOSE,06X06X20LG.....141, 143, 151  
 HOSE,06X06X50LG.....161, 163  
 HOSE,06X06X65LG.....161, 163  
 HOSE,06X06X68LG.....157  
 HOSE,06X06X72"LG.....155  
 HOSE,06X06X87LG.....163  
 HOSE,06X06X90LG.....161  
 HOSE,06X08-90X168LG.....151  
 HOSE,08X08-90X194LG.....149  
 HOSE,08X08X128LG.....139  
 HOSE,08X08X22LG.....151  
 HOSE,08X10X92"LG.....233, 235  
 HOSE,10X10-90X18".....139, 141, 143, 151, 153  
 HOSE,10X10-90X21.50".....139  
 HOSE,10X10X100LG.....141, 143  
 HOSE,10X10X16".....141, 143  
 HOSE,10X10X60LG.....141, 143  
 HOSE,10X10X79LG.....145  
 HOSE,10X10X86LG.....141, 143  
 HOSE,10X10X90LG.....141, 143  
 HOSE,10X10X92LG.....145  
 HOSE,10X10X94LG.....141, 143  
 HOSE,10X8X384LG.....141, 143  
 HOSE,10X8X396LG.....233, 235  
 HOSE,12X10-90X22.....85, 165, 167  
 HOSE,12X12X18.5".....85, 165, 167  
 HOSE,12X16-90X117LG.....139  
 HOSE,24X32-STSF111".....139  
 HOSE,4X4-90X14".....147  
 HOSE,4X4-90X22".....147  
 HOSE,4X4X13".....141, 143, 147  
 HOSE,4X4X17".....147, 159  
 HOSE,5/16".....87  
 HOSE,6X6-90X16".....147, 153, 155, 157  
 HOSE,6X6X10".....153  
 HOSE,6X6X11".....153  
 HOSE,6X6X28".....153  
 HOSE,6X6X37".....153, 233  
 HOSE,6X6X45".....151

HOSE,HEATER,3/4X40.....165  
 HOSE,HEATER,3/4X58.....165  
 HOSE,RUBBER,7/8".....87  
 HOSE,UPPER RADIATOR.....91  
 HOUR METER,10-80 VOLTS\*\*\*.....103-104  
 HOUSING GASKET.....33  
 HOUSING/AXLE.....61

**I**

IDLER SHAFT.....45  
 INJECTOR / FUEL.....83  
 Inlet Section with Spool.....201  
 INNER SPRING, LEFT SIDE.....207  
 INNER SPRING/PC.....207  
 INTAKE PIPE,JD TIER3, 644-8XX.....101  
 INTERMEDIATE BRAKE DISC.....51  
 INTERMEDIATE COVER.....61  
 INTERMEDIATE DISC BRAKE.....71, 73  
 ISO MOUNTS.....17  
 ISOLATOR,PERKINS 127HP T3.....91

**J**

JAM NUT, 1/4-28.....113  
 JAM NUT,NYLOCK,5/16-18,PLATED.....221

**K**

KEY.....63  
 KEY,SET 2 KEYS.....103-104  
 KIT.....201  
 KIT, BRACKETS, F130.....203  
 KIT, CLAMP (7-125-05).....103-104  
 KIT, FRONT ENGINE COVER.....31  
 KIT, FUEL SENDER.....21  
 KIT, OIL COOLER.....85, 165, 167  
 KIT, PILOT CAP, F130.....203  
 KIT, SAUER PUMP, 8K.....79  
 KIT, TIE RODS, F130.....203  
 KIT,844 LIFT CYL SERV.....173, 175, 177  
 KIT,AC BRACKETS,644/8XX.....245  
 KIT,AC COMPRESSOR,JD,644/8XX.....243  
 KIT,BRAKE LT PS-FIELD REPLACE.....217, 237  
 KIT,FRONT WINDSHIELD WIPER.....225  
 KIT,MID ENGINE COVER.....31  
 KIT,SEAL,SWAY CYL.,O.E.MFG.....181  
 KIT,SWITCH WITH KEYS.....103-104, 115  
 KNOB.....195  
 KNOB / SPLIT DOOR LATCH.....223

**L**

LANYARD ASSY,RETAINING WASHER.....103-104  
 LARGE BOOM ASSEMBLY.....121, 123, 125, 127, 129, 133, 135, 137  
 LARGE BOOM ASSY.....131  
 LARGE BOOM ASSY GTH-644.....119  
 LARGE BOOM ASSY,GTH-844.....119  
 LATCH / DOOR HOLD BACK.....219, 223  
 LATCH GASKET.....221  
 LATCH, COMPRESSION, SMALL.....31  
 LED CLEAR LIGHT ASSY,6XX/8XX.....237, 241  
 LED HEADLIGHT ASSY,6XX/8XX.....237, 239  
 LED RED LIGHT ASSY,6XX/8XX.....237, 239, 241  
 LEV-O-GAGE INDICATOR.....103-104  
 LEVER.....71, 117  
 LEVER / RH.....71

## Part Description Index (continued)

LEVER/LH.....71  
 LIFT PUMP RELAY.....93  
 Lifting Lug.....201  
 LIGHT, BACK UP ASSY,6XX/8XX.....237, 241  
 LIGHT, BRAKE ASSY,6XX/8XX.....237, 239, 241  
 LIGHT, LED WHITE 12V.....237, 239  
 LIGHT,BACK-UP,CLEAR.....237, 241  
 LIGHT,BACKUP,CLEAR.....237, 241  
 LIGHT,BRAKE, TAIL,TURN.....237, 239, 241  
 LIGHT,HEADLIGHT.....237, 239  
 LIGHT,PEDESTAL BLINKER AMBER.....237, 239  
 LIP SEAL.....205  
 Loaded U-cup.....229  
 LOCK WASHER.....43  
 LOCKING PLATE.....67  
 LOCKNUT.....229  
 Locknut.....181  
 LOCKWASHER.....33, 35, 43  
 LOCKWASHER,10MM.....17, 85  
 LOCKWASHER,PUMP COVER SCREW.....43  
 LOOM,3/4 INCH.....83  
 LOOP CLAMP,COATED, #44.....31  
 Lower Pin.....57  
 LOWER RADIATOR HOSE.....91  
 LUBE FITTING.....173, 175, 177

**M**

MACHINE SCREW / 10-32 x 3/8 LG.....223  
 MAGNETIC PLUG.....61, 67  
 MAIN RELIEF ASSEMBLY.....201  
 MAIN RELIEF VALVE SEAL.....203  
 MANIFOLD.....139, 151, 153  
 MANIFOLD, REAR LOCKUP.....217  
 MANIFOLD,PXH,PERK T3 6/8K.....95  
 MANUAL PACK,DEUTZ,TH.....83  
 MANUAL, DEUTZ BF42012 OPERATOR.....83  
 MANUAL,DEUTZ BF42012 PARTS.....83  
 MIRROR, INTERIOR.....103-104, 109  
 MIRROR,8 1/2,CONVEX.....25  
 Modulation Valve Housing.....57  
 Modulation Valve Sleeve.....57  
 Modulation Valve Spring.....57  
 MOTOR,12V,CONDENSER,HVAC,8K.....247  
 MOTORIZED VALVE.....245  
 MOUNT / ACCELERATOR CABLE.....113  
 MOUNT / RETURN SPRING.....113  
 MOUNT / STARTER RELAY.....81  
 MOUNT,RUBBER,CENTER,BONDED.....79  
 MOUNTING BAND, SMALL BASE.....101  
 M O U N T I N G B R A C K E T,  
 ACCUMULATOR.....161, 163  
 MOUNTING PLATE (FOR 7-200-139).....117  
 MOUNTING STRAP,FUEL TANK.....21  
 MOUNTING STUD.....43  
 MOUNTING STUDS.....43  
 MUFFLER.....97, 99

**N**

NEEDLE ROLLER.....43  
 NEEDLE VALVE ASSY.....233, 235  
 NUT.....35, 43, 63, 67, 71, 117, 175, 177, 237  
 NUT / NYLOCK JAM.....109  
 NUT / SELF LOCKING.....219  
 NUT / STEERING WHEEL.....103-104  
 NUT, LP NYLOCK, 3/8-16.....25, 91  
 NUT,FAN BLADE,PERKINS 1004-42.....91

NUT,HEX,1/2-13 GRD 8.....27-28, 227  
 NUT,HEX,1/4-20.....109, 139, 147, 151, 157, 161, 233, 235  
 NUT,HEX,1/4-28.....89  
 NUT,HEX,10-32.....115  
 NUT,HEX,3/8-16.....17  
 NUT,HEX,5/16-18,GR8.....103-104, 153, 221, 223, 249  
 NUT,HEX,5/8NC.....17  
 NUT,LOCK.....227  
 NUT,LOCK,DIN 936,GR 8.8.....181  
 NUT,LP NYLOCK,1/4-20.....31, 103-104  
 NUT,LP NYLOCK,10-32.....91  
 NUT,M12-1.00.....225  
 NUT,NYLOCK 1 1/4.....227  
 NUT,NYLOCK, 1 1/2.....135, 137  
 NUT,NYLOCK,1-14.....121  
 NUT,NYLOCK,1/2-13.....25, 27-28, 119, 131, 137  
 NUT,NYLOCK,1/4-20.....31, 97, 99, 109, 119, 127, 129, 219  
 NUT,NYLOCK,10-24.....89  
 NUT,NYLOCK,3/4-10,GRD.2.....137  
 NUT,NYLOCK,3/4-10,GRD.8.....17, 25, 125  
 NUT,NYLOCK,3/8-16.....17, 21, 25, 27-28, 79, 99, 121, 125, 129, 131, 133, 135, 141, 143, 151, 233, 235  
 NUT,NYLOCK,5/16-18,GR8.....101, 107  
 NUT,NYLOCK,M4X.70.....117  
 NUT,NYLOCK,M6X1.00.....223  
 NUT,SELF LOCKING.....75  
 NUT,STARTER,FLANGED,10MMX1.5MM.....95

**O**

O-RING.....33, 35, 37, 43, 61, 63, 65, 67, 71, 73, 139, 175, 179, 183, 185, 187, 189, 195, 197, 201, 207  
 O-ring.....173, 177, 229  
 O-RING 1 5/16 ID X 3/32.....179  
 O-RING 1 9/16 ID X 3/32.....175  
 O-RING 3 5/8 ID X 3/16.....179  
 O-RING 4 1/8 ID X 3/16.....175  
 O-RING 5 1/2 ID X 1/4.....177  
 O-RING / -021.....189  
 O-RING / MODULATOR HOUSING.....57  
 O-RING / OIL SEAL.....53  
 O-RING / PLUG.....35  
 O-RING / SLEEVE.....57  
 O-RING FLANGE.....139  
 O-RING, HEAD.....173  
 O-RING, STUB SHAFT.....173, 177  
 O-RING,12.1 X 1.60 MM,VITON.....55  
 O-RING,14.1 X 1.60 MM,VITON.....55  
 O-RING,15.1 X 1.60 MM,VITON.....55  
 O-RING,21.5 X 1.5 MM,VITON.....55  
 O-RING,SPEED SENSOR.....35  
 OIL DISTRIBUTOR SLEEVE.....47  
 OIL FILTER/ENGINE.....79  
 OIL PAN,PERKINS 1104C-44.....95  
 OIL SEAL / CONV.HOUSING.....37  
 OIL SEAL / OUTPUT SHAFT.....53  
 OUTER DISC, FIRST.....47, 49  
 OUTER SPRING, LEFT SIDE.....207  
 OUTER SPRING/PC.....207  
 OUTPUT FLANGE.....53  
 OUTPUT FLANGE GEAR.....53  
 OUTPUT SHAFT.....39

**P**

PANEL PLUG.....103-104, 115  
 PANEL, FUSE BLOCK.....107  
 PANEL, STEERING ORBITAL ACCESS.....107  
 PANEL,LH REAR LOWER,STCIII.....219  
 PANTOGRAPH WIPER BASE w/ GASKE...225  
 PIN.....45  
 Pin.....65  
 Pin / Chassis To Boom Main Pivot.....137  
 PIN, FORK TINE 48".....227  
 PIN,,75X6.75.....127, 129  
 PIN,1.50 DIA X 5.13,NOTCHED.....25  
 PIN,1.50 DIA X 5.38,ONE HOLE.....27-28  
 PIN,1.50 DIA X 7.95 LG,1 HOLE.....25  
 PIN,1.50DIA X 5.75LG,1 HOLE.....131  
 PIN,1.5DIA X 15.5LG,1 CROSS HOLE.....121, 135  
 PIN,2 RING GROOVE.....121  
 PIN,2.00 DIA X 8.13,ONE HOLE.....27-28  
 PIN,2.00 DIA X 21.00,ONE HOLE.....227  
 PIN,2.00DIA X 19.88,ONE HOLE.....227  
 PIN,2.00DIA X 7.63,ONE HOLE.....25  
 PIN,2.00DIA X 13.13,TAPPED,NIT.....27-28  
 PIN,2.00DIA X 7.50 LG,1 HOLE..125, 129, 233, 235  
 PIN,2.50 DIA X 39.38,2 HOLE.....27-28  
 PIN,ACCUMULATOR STOP.....57  
 PIN,CHAIN ANCHOR,,313X2.625.....121, 123, 127, 129  
 PIN,FORK TINE 60".....227  
 PIN,FORK TINE 72".....227  
 PIN,ONE THRU HOLE.....17  
 PIN,ROTATE CYLINDER.....227  
 PIN,TILT CYL.....119  
 PIN,TWO CROSS DRILLED HOLE.....137  
 PINNION NUT / M20 X 1.5 THREAD.....63, 65  
 PIPE PLUG.....33, 35  
 PIPE SEALANT,LOCKTITE #567.....85  
 PISTON.....43, 49, 63, 73, 179  
 Piston.....173, 175, 177, 181, 229  
 PISTON & SEAL ASSEMBLY.....47  
 PISTON ASSY.....73  
 PISTON ASSY / RH.....71  
 PISTON ASSY LH.....71  
 PISTON LH.....71  
 PISTON RING.....47, 49, 51, 77  
 Piston Ring.....205  
 PISTON SEAL.....77  
 PISTON,SWAY CYL.,O.E.MFG.....181  
 PIVOT FRAME, ROTATE 844.....227  
 PIVOT PIN.....67  
 PLANET GEAR.....67  
 PLANET GEAR CARRIER.....67  
 PLANET GEAR CARRIER ASSY.....67  
 PLASTIC BUSHING / DOOR HINGE.....221, 223  
 PLASTIC STEER COLUMN COVER LH.....115  
 PLASTIC STEER COLUMN COVER RH.....115  
 PLATE.....43, 47, 49, 51  
 Plate / Valve Block Shim.....155, 157, 161  
 PLATE, FRONT CHASSIS COVER.....25  
 PLATE, INSPECTION COVER.....139  
 PLATE, JOYSTICK MOUNT.....107  
 PLATE, PEDAL MOUNTING.....107  
 PLATE, PROT CHECK, 4 HOLE.....139  
 PLATE, SEAT MOUNT.....107  
 PLATE, STEERING SELECTOR MOUNT...107  
 PLATE, TOP.....131, 141, 143, 151, 153, 233, 235

- PLATE,ANGLE INDICATOR.....27-28  
 PLATE,BASE SWAY MOUNT.....17  
 PLATE,CHAIN PIVOT.....121  
 PLATE,DECAL MOUNTING.....103-104  
 PLATE,ENG COV,NON-EXHAUST SIDE.....31  
 PLATE,ENG COVER,EXHAUST SIDE.....31  
 PLATE,ENGINE COVER,DOOR.....31  
 PLATE,LOADCHART FRAME.....103-104  
 PLATE,RADIATOR FILL COVER.....31  
 PLATE,TOWER COVER,REAR.....25  
 PLATE,TOWER COVER,SIDE.....25  
 PLUG.....33, 35, 37, 61, 63, 67, 69, 71, 73, 201  
 Plug.....117  
 PLUG / GLOW.....95  
 PLUG / PC / w/O-RING.....207  
 PLUG ASSEMBLY.....207  
 PLUG ASSEMBLY / U-TYPE.....201  
 PLUG w/ O-RING.....35  
 PLUG,ENGINE OIL,PERKIN 1004-42.....95  
 PLUG,MAGNETIC DRAIN.....35  
 PLUG,SPEED SENSOR PORT.....35  
 PLUG-LS ADJUSTING.....207  
 PLUG-SOLENOID BORE.....55  
 Pointer / Boom Angle.....119  
 POPPET.....35  
 Poppet.....201  
 PRESSURE SEAL.....195  
 PRESSURE SWITCH,1000NC\*\*\*.....161, 163  
 PRESSURE SWITCH,250NC\*\*\*.....155, 157  
 PRESSURE SWITCH,350NC\*\*\*.....161, 163  
 PSP Seal.....229  
 PULLEY,ALTERNATOR, PERK 1104C.....95  
 PULLEY,CRANKSHAFT,PERKINS 1004.....91  
 PUMP ASSEMBLY (SAUER).....85  
 PUMP ASSEMBLY,55CC REXROTH.....139  
 PUMP ASSEMBLY,SAUER 8K.....79, 139  
 PUMP DRIVE ADAPTOR.....43  
 PUMP DRIVE IDLER GEAR.....41  
 PUMP DRIVESHAFT & PIN ASSEMBLY.....41  
 PUMP SEAL, MICKEY MOUSE.....43  
 PUMP, WATER,PERKINS 1104C-44.....91  
 P U M P , F U E L R I N G / D O O R H O L D B A C K  
 INJECTOR,PER1104C,GTH844.....91  
 PUSHER.....71
- Q**
- QUICK COUPLING,FEMALE.....233, 235  
 QUICK COUPLING,MALE.....233, 235
- r**
- ref. CYLINDER,SWAY/REAR  
 LOCK-UP\*\*\*.....181
- R**
- R.H. PANEL / SAF-T-CAB III.....109  
 RADIAL END CAP.....207  
 RADIATOR / DEUTZ ENGINE.....87  
 RADIATOR CAP.....79  
 RADIATOR HOSE,LOWER.....79  
 RADIATOR HOSE,UPPER.....79  
 RADIATOR PERKINS,8K & 6K MACH.....91  
 RADIATOR w/ SHROUD.....79  
 RAIN CAP W/CLAMP.....101  
 REAR LOCK UP BLOCK ASSEMBLY.....153, 217  
 REAR MOUNT,CAB SIDE.....87  
 REAR MOUNT,EXHAUST SIDE.....87  
 REAR TURBINE SHAFT BEARING.....47
- RECEIVER/DRIER,AC,644/8XX.....243  
 RECOVERY TANK SIGHT GLASS,1/2".....87  
 REDUCER BUSHING.....81  
 REDUCTION BUSHING.....67, 69, 71  
 REF: O-RING.....203  
 REF: NUT.....203  
 REF: O-RING.....203  
 REF: SCREW.....203  
 REF: SEAL.....203  
 REF: SPACER.....203  
 REF: WASHER.....203  
 Regulator Spool.....57  
 REGULATOR VALVE SLEEVE.....43  
 RELAY / GLOW PLUG.....95  
 RELAY MOUNT BRACKET,DEUTZ.....83  
 RELAY, 12V.....245  
 RELAY, HIGH CAPACITY.....103-104  
 RELAY,SPDT,12V(AUTO) PLUG IN\*\*.....237, 239, 241  
 RELIEF, CAVITY PORT, F130.....203  
 REMOTE FUEL FILTER MOUNT PLATE.....83  
 REMOTE PC SPOOL.....207  
 Rer. Screw.....207  
 RETAINER.....47, 49, 51  
 Retainer / Extend Cylinder.....131  
 RETAINER SCREW.....47  
 RETAINING RING.....37  
 Retaining Ring.....205  
 RETURN FILTER ASSEMBLY.....139, 197  
 RETURN SPRING / FOR -139.....117  
 REV CLUTCH GEAR & BEARING ASSY.....39  
 REVERSE IDLER GEAR.....39, 45  
 RING.....37, 59, 63  
 RING / DOOR HOLD BACK MOUNT.....219  
 RING GEAR.....67  
 RING GEAR / FLYWHEEL.....95  
 RING GEAR SUPPORT.....67  
 RING GEAR SUPPORT ASSY.....67  
 RING NUT.....63, 65  
 RING SEAL.....207  
 RING-OIL DISTRIBUTOR.....37  
 RING / DOOR H O L D B A C K  
 MOUNT/INNER.....219  
 ROAD LIGHT, BLINKER.....237, 239  
 Rod Assembly.....173, 175, 229  
 ROD ASSEMBLY / CYLINDER.....181  
 ROD END,250 X 2.75 LG.....127, 129  
 ROD END,375X3.69,ZAG.....17, 25, 27-28, 131  
 ROD END,CHAIN TENSIONER.....121  
 ROD SEAL.....175, 177, 179  
 Rod Wiper.....229  
 ROD WIPER / 2.50 ID 7-209-34.....177, 179  
 ROD WIPER / 3.00 ID.....175  
 ROLL PIN.....41  
 ROLLER ASSEMBLY.....125, 129  
 ROLLER BEARING.....49, 51  
 ROTATE STOPS.....227  
 ROTOR.....195  
 RUBBER BUMPER / STICK ON.....109, 219  
 RUBBER SEAL WASHER.....109, 219
- S**
- S-HOOK.....113  
 SAFETY ELEMENT.....101  
 SCREW.....33, 43, 67  
 Screw.....49, 117  
 SCREW / M6 x 1.00 x 30mm LG./.....223  
 SCREW M4X10 (FOR 7-126-767).....55
- SCREW,1/4-20 X 1.25,GR8.....103-104, 109, 219  
 SCREW,12MM X 1.75X35MM.....17, 79, 85  
 SCREW,3/4-10X6.....17, 25  
 SCREW,3/8NF 1 3/4.....17, 85  
 SCREW,ALTERNATOR MOUNTING.....95  
 SCREW,BHHS,1/4-20X5/8,BLK.....107  
 SCREW,BHHS,3/8-16X.75,GR5.....107  
 SCREW,CAP,16X20X79.5MM,3STEP.....71  
 SCREW,CRANKSHFT,PERKIN 1004-42.....91  
 SCREW,FLANGE HEAD,10-24.....83  
 SCREW,HHC,1 1/4-7X2.5,GR8.....28  
 SCREW,HHC,1/2-13 X 1.5 GRD 8.....139  
 SCREW,HHC,1/2-13 X 1.75.....131  
 SCREW,HHC,1/2-13 X 3.75.....119  
 SCREW,HHC,1/2-13 X 4.5,GRD.8.....27-28, 227  
 SCREW,HHC,1/2-13 X 5.5.....27-28, 137  
 SCREW,HHC,1/2-13X1.00,GR8.....23  
 SCREW,HHC,1/2-13X1.25,GR8,Y.....103-104  
 SCREW,HHC,1/2-13X2 1/2.....79, 85  
 SCREW,HHC,1/2-13X3.75,GR8.....25, 27-28, 227  
 SCREW,HHC,1/4-20 X .625.....31  
 SCREW,HHC,1/4-20 X .75.....129  
 SCREW,HHC,1/4-20 X 1.25.....119, 127, 129  
 SCREW,HHC,1/4-20 X1.50,GR8.....109, 151, 219, 233, 235  
 SCREW,HHC,1/4-20X.5,GR8.....81, 103-104, 107, 109, 115, 219, 221  
 SCREW,HHC,1/4-20X.75,GR8.....25, 31, 107, 111, 113, 139, 141, 143, 147, 161, 163, 219  
 SCREW,HHC,1/4-20X1,GR8.....25, 97, 99  
 SCREW,HHC,1/4-20X1.75,GR8.....147, 151, 153  
 SCREW,HHC,1/4-20X2.25,GR8.....157  
 SCREW,HHC,1/4-20X3.75,GR8.....161  
 SCREW,HHC,10-24 X .75.....89  
 SCREW,HHC,3/4-10 X 6.....137  
 SCREW,HHC,3/4-10X7,GR5,Y.....125  
 SCREW,HHC,3/4-10X9.0,GR8.....17  
 SCREW,HHC,3/4-16X1.5,GR8.....123  
 SCREW,HHC,3/8-16 X .75,GR 8.....89, 107, 139, 237  
 SCREW,HHC,3/8-16 X 1 GRD 8.....25, 31, 107, 139, 149, 219, 227  
 SCREW,HHC,3/8-16 X 1.25 GRD 5.....99  
 SCREW,HHC,3/8-16 X 1.75,GRD.8.....17, 25, 27-28  
 SCREW,HHC,3/8-16 X 2.....27-28, 131  
 SCREW,HHC,3/8-16 X 2.75.....133, 141, 143, 233, 235  
 SCREW,HHC,3/8-16 X 3.25.....125, 129, 233, 235  
 SCREW,HHC,3/8-16 X 3.5,GR5.....121, 135  
 SCREW,HHC,3/8-16X.625,GR5.....59  
 SCREW,HHC,3/8-16X1.25 GD307A.....83  
 SCREW,HHC,3/8-16X1.25GR8.....17, 31, 139  
 SCREW,HHC,3/8-16X2.0,GR8.....79  
 SCREW,HHC,5/16-18 X .50.....27-28, 119  
 SCREW,HHC,5/16-18 X 1.25.....131, 141, 143, 233, 235  
 SCREW,HHC,5/16-18 X 1.75.....131, 141, 143, 233, 235  
 SCREW,HHC,5/16-18 X 2.....129, 141, 143, 145  
 SCREW,HHC,5/16-18 X 2.00,GR8.....141, 143, 151  
 SCREW,HHC,5/16-18X.75,GR8,Y.....103-104, 149



TAPERED ROLLER BEARING.....63, 65  
 TENSIONER,AC COMP PERK1104.....243  
 THERMOSTAT.....87, 245  
 THERMOSTAT&GASKETS;PERKINS.....95  
 Third Clutch Bearing.....49  
 THIRD DRIVEN GEAR.....39  
 Thread Cap.....229  
 Thread Cap Head.....229  
 THREADED SPRING CLIP, 5/16.....151, 161,  
 163, 165, 167  
 THROTTLE CABLE BRACKET.....89  
 THROTTLE PEDAL,FLOOR MNT,W-C.....113  
 THRUST BUSHING.....67, 69  
 THRUST WASHER.....37, 45  
 THRUST WASHER, 5.00X3.00X.250.....137  
 TIE ROD.....201  
 TIE WRAP,8.5 X 0.13,BLACK.....85, 87  
 TILT CYL SEAL KIT.....177  
 TIRE ASSY,ROCK,CAL CHL,13 X 24.....27-28  
 TIRE, 13.00 X 24 G3000.....27-28  
 TIRE,14.00 X 24 G3000 10K,12PR.....27-28  
 TIRE,AIR,LEFT,1300X24.....28  
 TIRE,AIR,RIGHT,1300X24.....28  
 TIRE,CHLORIDE,LEFT,1300X24.....27-28  
 TIRE,CHLORIDE,LEFT,1400X24.....27-28  
 TIRE,CHLORIDE,RIGHT,1300X24.....27-28  
 TIRE,CHLORIDE,RIGHT,1400X24.....27-28  
 TIRE,FOAM,LEFT,1300X24\*\*\*.....28  
 TIRE,FOAM,LEFT,1400X24\*\*\*.....27-28  
 TIRE,FOAM,RIGHT,1300X24\*\*\*.....28  
 TIRE,FOAM,RIGHT,1400X24\*\*\*.....27-28  
 TIRE,ROCKLUG,CHLORIDE,LH,1400\*.....27-  
 28  
 TIRE,ROCKLUG,CHLORIDE,RH,1400.....27-  
 28  
 TIRE,ROCKLUG,FOAM,1300X24.....28  
 TIRE,ROCKLUG,FOAM,LH,1400.....28  
 TIRE,ROCKLUG,FOAM,RH,1400.....28  
 TIRE,TITAN E-3/L3-3 1300X24.....27-28  
 TIRE,TITAN E-3/L3-3 1400X24.....27-28  
 TRANS.OIL PRESSURE SENDER.....89  
 TRANS.TEMP SENDER.....89  
 TRANSMISSION ASSEMBLY/DEUTSCH...17,  
 79, 91  
 TRANSMISSION CASE.....35  
 TRANSMISSION MOUNT / LH.....17, 85  
 TRANSMISSION MOUNT / RH.....17, 85  
 TRANSMISSION OIL FILTER.....43  
 TRANSMISSION,SPRING,SEAT.....35  
 TRIM,BLACK,1/2".....131  
 TRIMLOCK,BLACK,3/16.....103-104  
 TUBE & SCREEN ASSEMBLY.....35  
 TUBE / FUEL LINE.....169  
 Tube Assembly.....181  
 TUBE ASSY,AUX,INNER.....233, 235  
 TUBE ASSY,AUX,OUTER,TH.....233, 235  
 TUBE ASSY,STD,INNER,TH.....141, 143  
 TUBE ASSY,STD,OUTER,TH.....141, 143  
 TUBE ASSY,STRAIGHT,TH.....141, 143, 233,  
 235  
 TUBE,HIPRESS #1CYL,PERK T3 6/8.....91  
 TUBE,HIPRESS #2CYL,PERK T3 6/8.....91  
 TUBE,HIPRESS #3CYL,PERK T3 6/8.....91  
 TUBE,HIPRESS #4CYL,PERK T3 6/8.....91  
 TUBE,HOSE GUARD SLEEVE.....125  
 TURBINE SHAFT DRUM & PLUG ASSY.....47

**U**

U-BOLT, 1/4-20.....113

UPPER DOOR ASSEMBLY.....223  
 Upper Nipple.....197  
 Upper Pin.....57  
 UPPER RADIATOR MOUNT.....79

**V**

V-BELT,AC COMP,PERK1104.....243  
 VALVE.....141, 143, 159  
 VALVE / REGULATOR.....43  
 VALVE BODY.....209, 233, 235  
 VALVE PRESSURE REDUCING.....217  
 VALVE, DIRECTIONAL.....201  
 VALVE, MOTION.....141, 143, 189  
 VALVE,DIFF.LOCK&PARKING BRAKE.....155,  
 157, 161  
 VALVE,DIRECTIONAL,3W2P.....217  
 VALVE,DIRECTIONAL,F130.....201, 203  
 VALVE,DUAL CHECK.....141, 143, 151, 191  
 VALVE,DUAL PILOT CHECK.....231, 233  
 VALVE,ELECTRIC 4WAY.....147, 209, 211,  
 233, 235  
 VALVE,MALE PRESSURE CHECK.....159  
 VALVE,MOTION.....141, 143, 145, 183, 185,  
 187, 189  
 VALVE,PO CHECK.....217  
 VALVE,PRESSURE CHECK,MALE.....159  
 VALVE,REAR LOCKUP.....153  
 VALVE,RELIEF,250 BAR,F130 VALVE.....203  
 VALVE,STEERING.....149  
 VENT.....61  
 VIBRATION ISOLATOR,RADIATOR,LOWER  
 MOUNT.....91  
 VOLTMETER GAUGE.....115

**W**

Warning - Crush Hazard, Moving Parts.....11,  
 13  
 Warning - Crush Hazard, Overhead Parts.....13  
 WARNING LIGHT.....115  
 WASHER.....33, 35, 41, 45, 47, 49, 51, 71, 227  
 WASHER BOTTLE/BRACKET ASSY.....219  
 WASHER,3/8 HARD,STEEL-FLAT,USS.....21,  
 25, 27-28, 79, 107, 139, 219, 237  
 WASHER,5/16,NARROW.....87  
 WASHER,FENDER,5/16 X2.0 X .062.....249  
 WASHER,FLAT,.250, HARDENED.....25, 31,  
 81, 97, 99, 103-104, 107, 109, 141, 143, 147,  
 153, 157, 161, 219, 223  
 WASHER,FLAT,.375 X 1.5 X .125.....79  
 WASHER,FLAT,.625, HARDENED.....17  
 WASHER,FLAT,.812X2X.14 HARDEN.....25  
 WASHER,FLAT,1.063 X 2 X .134.....121  
 WASHER,FLAT,1.56 X 3.5 X .061.....121, 135  
 WASHER,FLAT,2.01 X 3.5 X .06.....125, 129  
 WASHER,FLAT,313, HARDENED.....101, 103-  
 104, 107, 161, 163, 165, 167  
 WASHER,FLAT,MS,#10,Y.....115, 219  
 WASHER,FLAT,USS,1/2",Y.....79, 85, 225  
 WASHER,FLAT,USS,1/4"Y.....119, 129  
 WASHER,FLAT,USS,3/8",Y.....17, 31, 83, 107,  
 133, 141, 143, 233, 235  
 WASHER,FLAT,USS,5/16",Y.....27-28, 119  
 WASHER,FLYWHEEL,PERKINS 127HP.....95  
 WASHER,HI-LOCK.....231, 233  
 WASHER,LOCK,.25.....81, 103-104, 107, 111,  
 113, 115, 139, 147, 151, 153, 157, 161, 163,  
 233, 235

WASHER,LOCK,.313..79, 103-104, 149, 151,  
 153, 237, 249  
 WASHER,LOCK,.375.....17, 83, 85, 89, 91, 99,  
 107, 139, 149, 227  
 WASHER,LOCK,.625 PLTD.....17  
 WASHER,LOCK,.75 PLTD.....17, 123  
 WASHER,LOCK,0.5".....23, 28, 79, 85, 103-  
 104, 139, 227  
 WASHER,LOCK,1 1/4.....28  
 WASHER,LOCK,HI COLLAR,.375.....141, 143,  
 145, 183, 185, 187, 189, 191  
 WASHER,LOCK,M12.....17, 79, 85  
 WASHER,LOCK,M14.....81, 113  
 WASHER,LOCK,SPLIT,3/8.....59  
 WASHER,OIL DRAIN,PERKIN1004-42.....93,  
 95  
 WASHER,STAR,#10,PLTD.....83  
 WASHER,STC PLASTIC COVER.....109, 219,  
 221, 223  
 WEAR RING.....47, 49, 51, 77, 175, 179  
 Wear Ring.....229  
 WEAR RING / HEAD.....177, 179  
 WEAR RING / PISTON.....173  
 WEAR RING, HEAD.....173  
 WEARPAD,5X3X.50.....125, 127, 129  
 WEARPAD,7X2X.75.....121, 135  
 WEARPAD,7X3X.75...121, 125, 127, 129, 133,  
 135  
 WELD YOKE.....19  
 WELDMENT, LH FENDER SUPPORT.....249  
 WELDMENT, RH FENDER SUPPORT.....249  
 WELDMENT,ENG/RAD MOUNT,DEUTZ  
 (108579).....79  
 WELDMENT,ENG/RAD MOUNT,JD4045.....79  
 WELDMENT,FORK TINE,48".....27-28  
 WELDMENT,FORK TINE,60".....27-28  
 WELDMENT,FORK TINE,72".....27-28  
 WELDMENT,MAIN FRAME,TH644/8XX.....25  
 WELDMENT,OIL RES,644/8XX.....139  
 WELDMENT,SMALL BOOM.....121, 127, 129,  
 131, 133, 135  
 WELDMENT,SWAY CYL MOUNT.....17  
 WELDMENT,SWITCH ACTIVATOR \*\*\*\*.....137  
 WHEEL HUB.....67  
 WHEEL NUT.....27-28, 67  
 WHEEL STUD.....67  
 WHEEL,9.5MM RIMSHELL.....27-28  
 WINDOW / RUBBER MOUNTING / PE.....109  
 WINDOW / LH / UPPER REAR.....219  
 WIPER.....77  
 WIPER BLADE / 28 IN. / FLEX.....225  
 WIPER MOTOR / SAF T CAB 2 & 3.....225  
 WIPER MOTOR WITHOUT SHAFT\*\*\*.....225  
 WIPER SHAFT.....173

**Y**

Y-PLUG ASSEMBLY.....201

**Z**

ZERK,GREASE,1/8 NPT.....227  
 ZERK,GREASE,5/16-24,STRAIT.....119

## Fitting Cross References

Genie PN	Parker PN	Description	Genie PN	Parker PN	Description
12342	6-4 F5OX-S	CONNECTOR, STRAIGHT THREAD TO FLARE TUBE	42794	1 CR-S	ELBOW, 90°, MALE PIPE
13757	4 R6X-S	RUN TEE, SWIVEL NUT, ORFS	42795	BV-0839	BALL VALVE
19685	12-10 C5OX-S	ELBOW, 90°, STRAIGHT THREAD TO FLARE TUBE	42796	BV-0838	BALL VALVE
22664	12-10 C5OX	ELBOW, 90°, STRAIGHT THREAD TO FLARE TUBE	42874	6-8 CLO-S	ELBOW, 90°, MALE PIPE TO ORFS
27431	8-12 F5OX-S	CONNECTOR, STRAIGHT THREAD TO FLARE TUBE	42912	13943-6-4	HOSE END, 90° FEMALE SWIVEL, JIC
28678	AS-B-33	SLEEVE, NYLON, 1.81" ID	42920	BV-0840	BALL VALVE, 90°
39871	6 WETX-WLN-S	UNION, 90° BULKHEAD W/NUT, FLARE TUBE	42932	AS-B-17	SLEEVE, NYLON, 1.22" ID
39872	4 R5OX-S	RUN TEE, STRAIGHT THREAD	42936	10243-2-4	HOSE END, FEMALE PIPE
39873	6 C5OX-S	ELBOW, 90°, STRAIGHT THREAD TO FLARE TUBE	42953	1/2 DD-S	ELBOW, 90°, FEMALE PIPE
39874	8-6 C5OX-S	ELBOW, 90°, STRAIGHT THREAD TO FLARE TUBE	42956	6 WELO-WLNL-S	UNION, 90° BULKHEAD W/NUT, ORFS
39875	4-6 C5OX-S	ELBOW, 90°, STRAIGHT THREAD TO FLARE TUBE	45349	8 V5OX-S	ELBOW, 45°, STRAIGHT THREAD TO FLARE TUBE
39876	6-8 C5OX-S	ELBOW, 90°, STRAIGHT THREAD TO FLARE TUBE	45351	4 V5OX-S	ELBOW, 45°, STRAIGHT THREAD TO FLARE TUBE
39877	4 F5OX-S	CONNECTOR, STRAIGHT THREAD TO FLARE TUBE	47223	10343-6-6	HOSE END, MALE, JIC
39878	6 F5OX-S	CONNECTOR, STRAIGHT THREAD TO FLARE TUBE	47419	PS690503-6-6	SWIVEL, 90°, STRAIGHT THREAD TO 37° FLARE
39879	4-8 F5OX-S	CONNECTOR, STRAIGHT THREAD TO FLARE TUBE	48750	421-4	HOSE, 1/4 INCH ID
39880	6-10 F5OX-S	CONNECTOR, STRAIGHT THREAD TO FLARE TUBE	48751	481TC-4	HOSE, 1/4 INCH ID
39881	4-6 F5OX-S	CONNECTOR, STRAIGHT THREAD TO FLARE TUBE	48752	482TC-4	HOSE, 1/4 INCH ID
39882	4-HP5ON-S	PLUG, STRAIGHT THREAD	48753	451TC-6	HOSE, 3/8 INCH ID
39883	8-8 FTX-S	CONNECTOR, MALE PIPE TO FLARE TUBE	48754	482TC-6	HOSE, 3/8 INCH ID
39885	269HB 12-12	ELBOW, 90°, BEADED HOSE BARB TO MALE PIPE	48755	381-6	HOSE, 3/8 INCH ID
39886	431-6	HOSE, 3/8 INCH ID	48756	451TC-8	HOSE, 1/2 INCH ID
39887	540N-2	HOSE, 1/8 INCH ID	48757	482TC-8	HOSE, 1/2 INCH ID
39888	801-8	HOSE, 1/2 INCH ID	48758	381-8	HOSE, 1/2 INCH ID
39889	801-12	HOSE, 3/4 INCH ID	48759	381-10	HOSE, 5/8 INCH ID
39890	10643-6-6	HOSE END, FEMALE SWIVEL, JIC	48760	451TC-10	HOSE, 5/8 INCH ID
39891	13943-6-6	HOSE END, 90° FEMALE SWIVEL, JIC	48761	482TC-12	HOSE, 3/4 INCH ID
39892	13743-6-6	HOSE END, 45° FEMALE SWIVEL, JIC	48762	451TC-12	HOSE, 3/4 INCH ID
39894	30682-8-8	HOSE END, FEMALE SWIVEL, JIC	48763	772-12	HOSE, 3/4 INCH ID
39895	30682-10-12	HOSE END, FEMALE SWIVEL, JIC	48764	881-16	HOSE, 1 INCH ID
42286	8-8 CTX-S	ELBOW, 90°, MALE PIPE TO FLARE TUBE	48765	772-16	HOSE, 1 INCH ID
42756	8-12 CLO-S	ELBOW, 90°, MALE PIPE TO ORFS	48766	AS-B-15	SLEEVE, NYLON, 1.06" ID
42757	8-12 FLO-S	CONNECTOR, MALE PIPE TO ORFS	48767	AS-B-22	SLEEVE, NYLON, 1.42" ID
42758	4 JLO-S	UNION TEE, ORFS	48770	881-8	HOSE, 1/2 INCH ID
42759	4-4 FLO-S	CONNECTOR, MALE PIPE TO ORFS			
42760	6-8 FLO-S	CONNECTOR, MALE PIPE TO ORFS			
42761	1J143-6-4	HOSE END, 90° FEMALE SWIVEL, SEAL LOK			
42762	1J743-6-4	HOSE END, 45° FEMALE SWIVEL, SEAL LOK			
42768	1JO43-4-4	HOSE END, MALE, SEAL LOK			
42776	601-8	HOSE, 1/2 INCH ID			
42777	1J743-16-16	HOSE END, 45° FEMALE SWIVEL, SEAL LOK			
42786	16 CLO-S	ELBOW, 90°, MALE PIPE TO ORFS			
42787	16 R6LO-S	RUN TEE, SWIVEL NUT, ORFS			
42788	16-8 TRLO-BL-S	REDUCER, TUBE END TO SWIVEL, ORFS			
42789	6-6 CLO-S	ELBOW, 90°, MALE PIPE TO ORFS			
42790	8-10 V5OLO-S	ELBOW, 45°, STRAIGHT THREAD TO ORFS			
42791	3/4 CD-S	ELBOW, 90°, MALE TO FEMALE PIPE			
42792	3/4 X 1/2 PTR-S	REDUCER, MALE TO FEMALE PIPE			
42793	1/2 CR-S	ELBOW, 90°, MALE PIPE			



## Fitting Cross References (Continued)

Genie PN	Parker PN	Description	Genie PN	Parker PN	Description
48771	881-10	HOSE,5/8 INCH ID	48847	13943-12-12	HOSE END,90° FEMALE SWIVEL,JIC
48772	381-4	HOSE,1/4 INCH ID	48848	10543-12-12	HOSE END,MALE,STRAIGHT THREAD
48773	AS-B-13	SLEEVE,NYLON,.86" ID	48849	1JC71-12-12	HOSE END,FEMALE SWIVEL,SEAL LOK
48800	1JC43-4-4	HOSE END,FEMALE SWIVEL,SEAL LOK	48850	1JS71-12-12	HOSE END,FEMALE SWIVEL,SEAL LOK
48801	1J743-4-4	HOSE END,45° FEMALE SWIVEL,SEAL LOK	48851	1J171-12-12	HOSE END,90° FEMALE SWIVEL,SEAL LOK
48802	1J943-4-4	HOSE END,90° FEMALE SWIVEL,SEAL LOK	48852	1J771-12-12	HOSE END,45° FEMALE SWIVEL,SEAL LOK
48804	1JM43-4-4	HOSE END,MALE,SEAL LOK, NO O-RING	48853	1J971-12-12	HOSE END,90° FEMALE SWIVEL,SEAL LOK
48805	10643-4-4	HOSE END,FEMALE SWIVEL,JIC	48854	1JC43-16-16	HOSE END,FEMALE SWIVEL,SEAL LOK
48806	13943-4-4	HOSE END,90° FEMALE SWIVEL,JIC	48855	1J943-16-16	HOSE END,90° FEMALE SWIVEL,SEAL LOK
48807	1JS43-4-4	HOSE END,FEMALE SWIVEL,SEAL LOK	48856	1J171-16-16	HOSE END,90° FEMALE SWIVEL,SEAL LOK
48808	3JC82-8-8	HOSE END,FEMALE SWIVEL,SEAL LOK	48857	1J971-16-16	HOSE END,90° FEMALE SWIVEL,SEAL LOK
48809	3JC82-12-12	HOSE END,FEMALE SWIVEL,SEAL LOK	48859	1JS43-8-4	HOSE END,FEMALE SWIVEL,SEAL LOK
48810	1JC43-6-4	HOSE END,FEMALE SWIVEL,SEAL LOK	48867	PD36BTL	DIAGNOSTIC NIPPLE,SEAL-LOK SWIVEL
48811	1J943-6-4	HOSE END,90° FEMALE SWIVEL,SEAL LOK	48873	6 PNLO-S	PLUG,TUBE END,ORFS
48812	1JC43-6-6	HOSE END,FEMALE SWIVEL,SEAL LOK	48874	6 PNTX-S	PLUG,FLARE TUBE
48813	1J143-6-6	HOSE END,90° FEMALE SWIVEL,SEAL LOK	48875	6 R6LO-S	RUN TEE,SWIVEL NUT,ORFS
48814	1J543-6-6	HOSE END,90° FEMALE SWIVEL,SEAL LOK	48877	4 F5OLO-SW/.025	CONNECTOR,STRAIGHT THREAD TO ORFS, W/.025 ORI
48815	1J743-6-6	HOSE END,45° FEMALE SWIVEL,SEAL LOK	48878	16-12 C5OLO-S	ELBOW,90°,STRAIGHT THREAD TO ORFS
48816	1J943-6-6	HOSE END,90° FEMALE SWIVEL,SEAL LOK	48879	8 C6LO-S	ELBOW,90°,SWIVEL NUT ORFS
48817	1JS43-6-8	HOSE END,FEMALE SWIVEL,SEAL LOK	48880	PD6-285	CAP,DIAGNOSTIC NIPPLE
48818	1J943-8-4	HOSE END,90° FEMALE SWIVEL,SEAL LOK	48881	6 HLO-S	UNION,ORFS
48819	1JC43-8-6	HOSE END,FEMALE SWIVEL,SEAL LOK	48883	8 P5ON-S	PLUG,STRAIGHT THREAD
48820	1J743-8-6	HOSE END,45° FEMALE SWIVEL,SEAL LOK	48884	8M18F87OMLO-S	CONNECTOR,METRIC,STRAIGHT THREAD TO ORFS
48821	1J943-8-6	HOSE END,90° FEMALE SWIVEL,SEAL LOK	48885	4 WGTX-WLN-S	CONNECTOR,BULKHEAD,FEMALE PIPE TO FLARE TUBE
48822	1JC43-8-8	HOSE END,FEMALE SWIVEL,SEAL LOK	48886	4 F5OLO-SW/2MM	CONNECTOR,MACHINED STRAIGHT THREAD TO ORFS
48823	1JS43-8-8	HOSE END,FEMALE SWIVEL,SEAL LOK	48887	4 CTX-S	ELBOW,90°,MALE PIPE TO FLARE TUBE
48824	1J143-8-8	HOSE END,90° FEMALE SWIVEL,SEAL LOK	48888	10-12 V5OLO-S	ELBOW,45°,STRAIGHT THREAD TO ORFS
48825	1J543-8-8	HOSE END,90° FEMALE SWIVEL,SEAL LOK	48890	4 S5OLO-S	BRANCH TEE,STRAIGHT THREAD TO ORFS
48826	1J743-8-8	HOSE END,45° FEMALE SWIVEL,SEAL LOK	48891	4 S6LO-S	BRANCH TEE,SWIVEL NUT TO ORFS
48827	1J943-8-8	HOSE END,90° FEMALE SWIVEL,SEAL LOK			
48828	1JC43-10-8	HOSE END,FEMALE SWIVEL,SEAL LOK			
48829	1JS43-10-8	HOSE END,FEMALE SWIVEL,SEAL LOK			
48830	1J743-10-8	HOSE END,45° FEMALE SWIVEL,SEAL LOK			
48831	1J943-10-8	HOSE END,90° FEMALE SWIVEL,SEAL LOK			
48833	1JC43-10-10	HOSE END,FEMALE SWIVEL,SEAL LOK			
48834	1J943-10-10	HOSE END,90° FEMALE SWIVEL,SEAL LOK			
48835	1JS43-10-12	HOSE END,FEMALE SWIVEL,SEAL LOK			
48836	1JC43-12-8	HOSE END,FEMALE SWIVEL,SEAL LOK			
48837	1JS43-12-8	HOSE END,FEMALE SWIVEL,SEAL LOK			
48838	1J743-12-8	HOSE END,45° FEMALE SWIVEL,SEAL LOK			
48839	1J943-12-8	HOSE END,90° FEMALE SWIVEL,SEAL LOK			
48840	1J943-12-10	HOSE END,90° FEMALE SWIVEL,SEAL LOK			
48841	1JC43-12-12	HOSE END,FEMALE SWIVEL,SEAL LOK			
48842	1JO43-12-12	HOSE END,MALE,SEAL LOK			
48843	1J143-12-12	HOSE END,90° FEMALE SWIVEL,SEAL LOK			
48844	1J543-12-12	HOSE END,90° FEMALE SWIVEL,SEAL LOK			
48845	1J743-12-12	HOSE END,45° FEMALE SWIVEL,SEAL LOK			
48846	1J943-12-12	HOSE END,90° FEMALE SWIVEL,SEAL LOK			

## Fitting Cross References (Continued)

Genie PN	Parker PN	Description	Genie PN	Parker PN	Description
48892	6 C6LO-S	ELBOW,90°,SWIVEL NUT ORFS	48938	8 R6LO-S	RUN TEE,SWIVEL NUT,ORFS
48893	6 F5OHAO-S	UNION,STRAIGHT THREAD	48939	8 S6LO-S	BRANCH TEE,SWIVEL NUT TO ORFS
48894	8 WLO-WLNL-S	UNION,BULKHEAD,ORFS	48940	8 WJLO-WLNL-S	RUN TEE, BULKHEAD,ORFS
48895	DT-370-MSMO-5	VALVE,CHECK	48941	8-4 TRLO-S	REDUCER,TUBE END TO SWIVEL,ORFS
48896	6 JLO-S	UNION,TEE,ORFS	48942	8-6 C5OLO-S	ELBOW,90°,STRAIGHT THREAD TO ORFS
48897	DT-750-MSMS-5	VALVE,CHECK	48943	8-6 F5OLO-S	CONNECTOR,STRAIGHT THREAD TO ORFS
48898	DT-750-MOMS-5	VALVE,CHECK	48944	8-8 FLO-S	CONNECTOR,MALE PIPE TO ORFS
48899	DT-620-MOMS-5	VALVE,CHECK	48945	8 FTX-S	CONNECTOR,MALE PIPE TO FLARE TUBE
48900	4-6 F5OLO-SW/.035	CONNECTOR,STRAIGHT THREAD TO ORFS, W/.035 ORI	48946	8-10 F5OLO-S	CONNECTOR,STRAIGHT THREAD TO ORFS
48902	16-1 AOE4G-S	ELBOW,90° LONG,FEMALE PIPE TO STRAIGHT THREAD	48947	8-12 C5OLO-S	ELBOW,90°,STRAIGHT THREAD TO ORFS
48903	1 FF-S	NIPPLE,PIPE	48948	8-12 F5OLO-S	CONNECTOR,STRAIGHT THREAD TO ORFS
48904	4 C5OLO-S	ELBOW,90°,STRAIGHT THREAD TO ORFS	48949	8-16 F5OLO-S	CONNECTOR,STRAIGHT THREAD TO ORFS
48905	4 F5OLO-S	CONNECTOR,STRAIGHT THREAD TO ORFS	48950	10 C5OLO-S	ELBOW,90°,STRAIGHT THREAD TO ORFS
48906	4 R5OLO-S	RUN TEE,STRAIGHT THREAD	48951	10 CC5OLO-S	ELBOW,90° LONG,STRAIGHT THREAD TO ORFS
48907	4 V5OLO-S	ELBOW,45°,STRAIGHT THREAD TO ORFS	48952	10 F5OLO-S	CONNECTOR,STRAIGHT THREAD TO ORFS
48908	4 R6LO-S	RUN TEE,SWIVEL NUT,ORFS	48953	10 R5OLO-S	RUN TEE,STRAIGHT THREAD
48909	4 WJLO-WLNL-S	RUN TEE, BULKHEAD,ORFS	48954	10 S5OLO-S	BRANCH TEE,STRAIGHT THREAD TO ORFS
48910	4 GTX-S W/.030	CONNECTOR,FEMALE PIPE TO FLARE TUBE	48955	10 R6LO-S	RUN TEE,SWIVEL NUT,ORFS
48911	4-6 C5OLO-S	ELBOW,90°,STRAIGHT THREAD TO ORFS	48956	10-4 TRLO-BL-S	REDUCER,TUBE END TO SWIVEL,ORFS
48912	4-6 F5OLO-S	CONNECTOR,STRAIGHT THREAD TO ORFS	48957	10-6 TRLO-BL-S	REDUCER,TUBE END TO SWIVEL,ORFS
48913	4-6 F5OLO-SW/.030	CONNECTOR,STRAIGHT THREAD TO ORFS, W/.030 ORI	48958	10-12 F5OLO-S	CONNECTOR,STRAIGHT THREAD TO ORFS
48914	4-8 F5OLO-S	CONNECTOR,STRAIGHT THREAD TO ORFS	48959	12 C5OLO-S	ELBOW,90°,STRAIGHT THREAD TO ORFS
48915	6 C5OLO-S	ELBOW,90°,STRAIGHT THREAD TO ORFS	48960	12 F5OLO-S	CONNECTOR,STRAIGHT THREAD TO ORFS
48916	6 F5OLO-S	CONNECTOR,STRAIGHT THREAD TO ORFS	48961	12 R5OLO-S	RUN TEE,STRAIGHT THREAD
48917	6 FF5OLO-S	CONNECTOR,LONG,STRAIGHT THREAD TO ORFS	48962	12 S5OLO-S	BRANCH TEE,STRAIGHT THREAD TO ORFS
48918	6 R5OLO-S	RUN TEE,STRAIGHT THREAD	48963	12 V5OLO-S	ELBOW,45°,STRAIGHT THREAD TO ORFS
48919	6 S5OLO-S	BRANCH TEE,STRAIGHT THREAD TO ORFS	48964	12 R6LO-S	RUN TEE,SWIVEL NUT,ORFS
48920	6 V5OLO-S	ELBOW,45°,STRAIGHT THREAD TO ORFS	48965	12 CLO-S	ELBOW,90°,MALE PIPE TO ORFS
48921	6 FLO-S	CONNECTOR,MALE PIPE TO ORFS	48966	12 FLO-S	CONNECTOR,MALE PIPE TO ORFS
48922	6-6 FLO-S	CONNECTOR,MALE PIPE TO ORFS	48967	12 JLO-S	UNION TEE,ORFS
48923	6 P5ON-S	PLUG,STRAIGHT THREAD	48968	12 WLO-WLNL-S	UNION,BULKHEAD,ORFS
48925	6 WELO-S	UNION,90° BULKHEAD,ORFS	48969	12 WJLO-WLNL-S	RUN TEE, BULKHEAD,ORFS
48926	6-4 C5OLO-S	ELBOW,90°,STRAIGHT THREAD TO ORFS	48970	12 WELO-WLNL-S	UNION,90° BULKHEAD W/NUT,ORFS
48927	6-4 F5OLO-S	CONNECTOR,STRAIGHT THREAD TO ORFS			
48928	6-4 V5OLO-S	ELBOW,45°,STRAIGHT THREAD TO ORFS			
48929	6-8 C5OLO-S	ELBOW,90°,STRAIGHT THREAD TO ORFS			
48930	6-8 F5OLO-S	CONNECTOR,STRAIGHT THREAD TO ORFS			
48931	6-10 F5OLO-S	CONNECTOR,STRAIGHT THREAD TO ORFS			
48932	8 C5OLO-S	ELBOW,90°,STRAIGHT THREAD TO ORFS			
48933	8 F5OLO-S	CONNECTOR,STRAIGHT THREAD TO ORFS			
48934	8 FF5OLO-S	CONNECTOR,LONG,STRAIGHT THREAD TO ORFS			
48935	8 R5OLO-S	RUN TEE,STRAIGHT THREAD			
48936	8 S5OLO-S	BRANCH TEE,STRAIGHT THREAD TO ORFS			
48937	8 V5OLO-S	ELBOW,45°,STRAIGHT THREAD TO ORFS			

## Fitting Cross References (Continued)

Genie PN	Parker PN	Description	Genie PN	Parker PN	Description
48971	12 G5G5JG5-S	TEE,FEMALE STRAIGHT THREAD	49612	PKT02586	O-RING KIT (ORFS FITTINGS)
48972	12 XHL6-S	ADAPTER, 37° MALE TO SWIVEL ORFS	49613	PKT06276	PLUG AND CAP KIT-SERVICE,ORFS
48973	12-1/2 F5OG-S	ADAPTER,FEMALE PIPE TO STRAIGHT THREAD	49728	10143-12-12	HOSE END, MALE PIPE
48974	12-10 C5OLO-S	ELBOW,90°,STRAIGHT THREAD TO ORFS	49729	16-1 F5OG-S	ADAPTER,FEMALE PIPE TO STRAIGHT THREAD
48975	12-10 F5OLO-S	CONNECTOR,STRAIGHT THREAD TO ORFS	49814	12-8 FLO-S	CONNECTOR,MALE PIPE TO ORFS
48976	12-16 C5OLO-S	ELBOW,90°,STRAIGHT THREAD TO ORFS	49829	DT-500-MOMF-5	VALVE,CHECK
48977	12-16 F5OLO-S	CONNECTOR,STRAIGHT THREAD TO ORFS	49831	881-12	HOSE,3/4 INCH ID
48978	12-16 V5OLO-S	ELBOW,45°,STRAIGHT THREAD TO ORFS	49834	16 JLO-S	UNION TEE,ORFS
48980	12-16 FLO-S	CONNECTOR,MALE PIPE TO ORFS	49838	12-8 TRLO-BL-S	REDUCER,TUBE END TO SWIVEL,ORFS
48983	16 C5OLO-S	ELBOW,90°,STRAIGHT THREAD TO ORFS	49840	8 JLO-S	UNION TEE,ORFS
48984	16 F5OLO-S	CONNECTOR,STRAIGHT THREAD TO ORFS	49844	10-8 TRLO-BL-S	REDUCER,TUBE END TO SWIVEL,ORFS
48985	16 V5OLO-S	ELBOW,45°,STRAIGHT THREAD TO ORFS	49854	8 P5ON-S	PLUG,STRAIGHT THREAD
48986	16 FLO-S	CONNECTOR,MALE PIPE TO ORFS	49855	1JC43-16-12	HOSE END,FEMALE SWIVEL,SEAL LOK
48988	16 CD45-S	ELBOW,45°,MALE TO FEMALE PIPE	49859	4 P5ON-S	PLUG,STRAIGHT THREAD
48989	12 CD45-S	ELBOW,45°,MALE TO FEMALE PIPE	49861	4 FF5OLO-S	CONNECTOR,LONG,STRAIGHT THREAD TO ORFS
48990	8 CD45-S	ELBOW,45°,MALE TO FEMALE PIPE	49867	12-3/4 F5OG-S	ADAPTER,FEMALE PIPE TO STRAIGHT THREAD
48991	16-12 FLO-S	CONNECTOR,MALE PIPE TO ORFS	51152	6 R6X-S	RUN TEE,SWIVEL NUT,ORFS
48992	16-12 V5OLO-S	ELBOW,45°,STRAIGHT THREAD TO ORFS	51153	6-4 TRTX-S	REDUCER,TUBE END TO SWIVEL,ORFS
48993	XV501-12	BALL VALVE	51154	4-4 GTX	CONNECTOR,FEMALE PIPE TO FLARE TUBE
48994	XV501-16	BALL VALVE	51264	881-12	HOSE,3/4 INCH ID
48995	XV510P-12	BALL VALVE	51265	8 JLO-S	UNION TEE,ORFS
48996	XV510P-16	BALL VALVE	51508	6 BTX-S	NUT,FLARE TUBE
48997	PD341	DIAGNOSTIC NIPPLE, STRAIGHT THREAD	51580	12-8 TRLO-BL-S	TUBE END REDUCER,ORFS
48998	PD 361	DIAGNOSTIC NIPPLE, STRAIGHT THREAD	51628	6 R6X-S	RUN TEE,SWIVEL NUT,ORFS
48999	DT-500-MOMS-5	VALVE,CHECK	51735	3/8 HHP	PLUG,PIPE THREAD
49201	10 V5OLO-S	ELBOW,45°,STRAIGHT THREAD TO ORFS	51803	1J943-6-8	HOSE END,90° FEMALE SWIVEL,SEAL LOK
49202	1JC43-12-10	HOSE END,FEMALE SWIVEL,SEAL LOK	53023	125HBL-5-4	FITTING,HOSE BARB TO MALE PIPE
49203	10-8 V5OLO-S	ELBOW,45°,STRAIGHT THREAD TO ORFS	53497	PKT02585	O-RING KIT
49205	6 F5OHAO-S	UNION,STRAIGHT THREAD	53499	1JC71-16-16	HOSE END,FEMALE SWIVEL,SEAL LOK
49207	PD34BTL	DIAGNOSTIC NIPPLE,SEAL-LOK SWIVEL	53500	3-904	O-RING,STRAIGHT THREAD,-4
49209	8M18F870MX-S	CONNECTOR,METRIC,STRAIGHT THREAD TO FLARE TUBE	53501	3-906	O-RING,STRAIGHT THREAD,-6
49212	8 WGTX-WLN-S	CONNECTOR,BULKHEAD,FEMALE PIPE TO FLARE TUBE	53502	3-908	O-RING,STRAIGHT THREAD,-8
49213	30682-8-8	HOSE END,FEMALE SWIVEL,JIC	53503	3-910	O-RING,STRAIGHT THREAD,-10
49216	831-8	HOSE,1/2 INCH ID			
49217	33982-8-8	HOSE END,90° FEMALE SWIVEL,JIC			
49219	PS-B-35	SLEEVE,NYLON,2.19" ID			
49418	4-6 V5OLO-S	ELBOW,45°,STRAIGHT THREAD TO ORFS			
49511	DT370-MOMS-5	VALVE,CHECK			
49512	1 DD-S	ELBOW,90°,FEMALE PIPE			
49513	1 FF-S	NIPPLE,PIPE			
49514	10 HP5ON-S	PLUG,STRAIGHT THREAD			
49515	12-16 CLO-S	ELBOW,90°,MALE PIPE TO ORFS			
49517	6 HP5ON-S	PLUG,STRAIGHT THREAD			
49519	16-12 F5OLO-S	CONNECTOR,STRAIGHT THREAD TO ORFS			
49520	4 VTX-S	ELBOW,45°,MALE PIPE TO FLARE TUBE			
49530	16 C6LO-S	ELBOW,90°,SWIVEL NUT ORFS			

## Fitting Cross References (Continued)

Genie PN	Parker PN	Description	Genie PN	Parker PN	Description
53535	3-912	O-RING, STRAIGHT THREAD, -12	61083	24 F5OLO-S	CONNECTOR, STRAIGHT THREAD TO ORFS
53536	4-PNLO-S	PLUG, TUBE END, ORFS	61086	20 R5OLO-S	RUN TEE, STRAIGHT THREAD
53537	6 PNLO-S	PLUG, TUBE END, ORFS	61090	24-20 F5OLO-S	CONNECTOR, STRAIGHT THREAD TO ORFS
53538	8 PNLO-S	PLUG, TUBE END, ORFS	61091	1J943 24-24	HOSE END, 90° FEMALE SWIVEL, SEAL LOK
53539	10 PNLO-S	PLUG, TUBE END, ORFS	61093	1J978-12-12	HOSE END, 90° FEMALE SWIVEL, JIC
53540	12 PNLO-S	PLUG, TUBE END, ORFS	61095	1JS43-20-16	HOSE END, FEMALE SWIVEL, SEAL LOK
53946	129HB-5-4	FITTING, 90° HOSE BARB TO MALE PIPE	61100	811-24	HOSE, 1 1/2 INCH ID
53951	8-1/4F50G-S	ADAPTER, FEMALE PIPE TO STRAIGHT THREAD	61130	1JS43-24-24	HOSE END, FEMALE SWIVEL, SEAL LOK
53980	6 S6LO-S	BRANCH TEE, SWIVEL NUT TO ORFS	61131	1JS78 12-12	HOSE END, FEMALE SWIVEL, SEAL LOK
54132	4 C6LO-S	ELBOW, 90°, SWIVEL NUT ORFS	61132	1J778-12-12	HOSE END, 45° FEMALE SWIVEL, JIC
54135	11343-16-16	HOSE END, MALE SWIVEL, PIPE	61152	139HB-6-4	ELBOW, 45°, BARB TO MALE PIPE
54283	8-10 C5OLO-S	ELBOW, 90°, STRAIGHT THREAD TO ORFS	61251	BV-0750	BALL VALVE
54428	8M18C870MLO-S	ELBOW, 90° METRIC, STRAIGHT THREAD TO ORFS	61259	4 CC5OLO-S	ELBOW, 90° LONG, STRAIGHT THREAD TO ORFS
54803	FS-F-16-10	SLEEVE, FIRE, .96" ID	61260	20-12 TRLO-BL	REDUCER, TUBE END TO SWIVEL, ORFS
54954	10143-2-4	HOSE END, MALE PIPE	61262	12 C6LO-S	ELBOW, 90°, SWIVEL NUT ORFS
55190	3/8 HP-S	PLUG, PIPE THREAD	61263	20 F5OHAO-S	UNION, STRAIGHT THREAD
55448	8 HLO-S	UNION, ORFS	61264	6-10 C5OLO-S	ELBOW, 90°, STRAIGHT THREAD TO ORFS
55839	6 F65OX-S	CONNECTOR, STRAIGHT THREAD TO 37° SWIVEL	61265	6 WNLO-WLNL-S	UNION, BULKHEAD 45°, ORFS
55968	10 C5OX-S	ELBOW, 90°, STRAIGHT THREAD TO FLARE TUBE	61268	4 WNLO-WLNL-S	UNION, BULKHEAD 45°, ORFS
56003	6 CC5OLO-S	ELBOW, 90° LONG, STRAIGHT THREAD TO ORFS	61269	4 WLO-WLNL-S	UNION, BULKHEAD, ORFS
56166	BV-0837	BALL VALVE, 90°	61272	12 AOEL6	ELBOW, 90°, STRAIGHT THREAD TO ORFS SWIVEL
56188	10143-8-6	HOSE END, MALE PIPE	61316	482TC-16	HOSE, 1 INCH ID
56233	2-011	O-RING, ORFS, -4	61321	6 JLO-S	UNION TEE, ORFS
56234	2-012	O-RING, ORFS, -6	61327	782-12	HOSE, 3/4 INCH ID
56235	2-014	O-RING, ORFS, -8	61328	881-24	HOSE, 1 1/2 INCH ID
56236	2-016	O-RING, ORFS, -10	61336	11943-20-24	HOSE END, 90° FLANGE HEAD
56237	2-018	O-RING, ORFS, -12	61345	12 WJLO-WLNL-S	RUN TEE, BULKHEAD, ORFS
56238	2-021	O-RING, ORFS, -16	61346	8 WNLO-WLNL-S 4	UNION, BULKHEAD 45°, ORFS
56352	6 WLNL-S	LOCKNUT, BULKHEAD	61569	33782-8-8	HOSE END, 45° FEMALE SWIVEL, JIC
56353	3J782-12-12	HOSE END, 45° FEMALE SWIVEL, SEAL LOK	61610	12 FF5OLO-S	CONNECTOR, LONG, STRAIGHT THREAD TO ORFS
56354	3J982-12-12	HOSE END, 90° FEMALE SWIVEL, SEAL LOK	61742	1/8 X 1.5 FFF	NIPPLE, PIPE
56604	10-8 F5OLO-S	CONNECTOR, STRAIGHT THREAD TO ORFS	63426	8 PNTX-S	PLUG, FLARE TUBE
56639	3JC82-10-10	HOSE END, FEMALE SWIVEL, SEAL LOK			
56640	3J982-10-10	HOSE END, 90° FEMALE SWIVEL, SEAL LOK			
56655	3JC82-8-10	HOSE END, FEMALE SWIVEL, SEAL LOK			
56676	10-8 C5OLO-S	ELBOW, 90°, STRAIGHT THREAD TO ORFS			
56776	471TC-6	HOSE, 3/8 INCH ID			
56777	471TC-8	HOSE, 1/2 INCH ID			
56789	811-16	HOSE, 1 INCH ID			
57884	3/8 FF	NIPPLE, PIPE			
59335	6 FNL-S	CAP, TUBE END			
59342	4 FNL-S	CAP, TUBE END			
59371	8 HP5ON-S	PLUG, STRAIGHT THREAD			
60653	BV-0751	BALL VALVE			
60806	125HB-3-4	FITTING, HOSE BARB TO MALE PIPE			
61064	5-1/4 F50G-S	ADAPTER, FEMALE PIPE TO STRAIGHT THREAD			
61079	4 WELO-WLNL-S	UNION, 90° BULKHEAD W/NUT, ORFS			
61080	6 WLO-WLNL-S	UNION, BULKHEAD, ORFS			

## Fitting Cross References (Continued)

Genie PN	Parker PN	Description	Genie PN	Parker PN	Description
64271	4 WLO-WLNL-S	UNION,BULKHEAD,ORFS	75631	801-6	HOSE,3/8 INCH ID
64272	6 WLO-WLNL-S	UNION,BULKHEAD,ORFS	75654	20 F5OLO-S	CONNECTOR,STRAIGHT THREAD TO ORFS
65776	8 F65OL-S	CONNECTOR,STRAIGHT THREAD TO ORFS SWIVEL	75655	1J943-20-20	HOSE END,90° FEMALE SWIVEL,SEAL LOK
65880	6001012	O-RING KIT	75656	881-20	HOSE,1-1/4 INCH ID
66154	6 WTX-WLNS	UNION,BULKHEAD,FLARE TUBE	75971	8 F5OHAO-S	UNION,STRAIGHT THREAD
66155	6 WETX-S	UNION,BULKHEAD 90°,FLARE TUBE	77307	1JB43-8-8	HOSE END,BULKHEAD,SEAL LOK
66156	6 WLN-S	BULKHEAD LOCKNUT	77309	8 WLNL-S	BULKHEAD LOCKNUT
66389	6-8 F5OX-S	CONNECTOR,STRAIGHT THREAD TO FLARE TUBE	77379	8M18C87OMX-S	ELBOW,90° METRIC,STRAIGHT THREAD TO FLARE TUBE
66392	6 R5OX-S	RUN TEE,STRAIGHT THREAD	77703	3J982-8-8	HOSE END,90° FEMALE SWIVEL,SEAL LOK
66396	811-12	HOSE,3/4 INCH ID	77711	801-10	HOSE,5/8 INCH ID
66829	H3174PP	CLAMP,TUBE	77758	12 WNLO-WLNL-S	UNION,BULKHEAD 45°,ORFS
67217	4 KLO-S	UNION,CROSS,ORFS	78091	6 C6X-S	ELBOW,90°,SWIVEL NUT TO FLARE TUBE
67339	10-6 F5OX-S	CONNECTOR,STRAIGHT THREAD TO FLARE TUBE	78684	30582-8-8B	HOSE END,PUSH LOK,MALE
67357	13943-8-6	HOSE END,90° FEMALE SWIVEL,JIC	78852	549-2	HOSE,1/8 INCH ID
67358	10 HP5ON-S	PLUG,STRAIGHT THREAD	78855	10657-4-2	HOSE END,FEMALE SWIVEL,JIC
67371	12 S6LO-S	BRANCH TEE,SWIVEL NUT TO ORFS	79138	PS-B-37	SLEEVE,NYLON,2.38" ID
67498	4 FNL-S	CAP, TUBE END	79476	1JS43-6-8	HOSE END,FEMALE SWIVEL,SEAL LOK
67906	DC-370-F0F0-5	VALVE,CHECK	79847	12-3/4 A0EG-S	ELBOW,90°,STRAIGHT THREAD TO FEMALE PIPE
69316	8 FLO-S	CONNECTOR,MALE PIPE TO ORFS	80044	8 CLO-S	ELBOW,90°,MALE PIPE TO ORFS
69333	H3174PP	CLAMP,HYDRAULIC HOSE	80502	8 F5OX-S	CONNECTOR,STRAIGHT THREAD TO FLARE TUBE
69503	4 F65OX-S	CONNECTOR,STRAIGHT THREAD TO 37° SWIVEL	80503	8 C5OX-S	ELBOW,90°,STRAIGHT THREAD TO FLARE TUBE
69775	8 FNL-S	CAP, TUBE END	81010	AS-B-27	SLEEVE,NYLON,1.63" ID
71038	1/4X1/4F3HG-S	ADAPTER,CONVERSION	83052	821-6	HOSE,3/8 INCH ID
71196	12-8 F5OLO-S	CONNECTOR,STRAIGHT THREAD TO ORFS	83053	821-8	HOSE,1/2 INCH ID
71383	1/4 CD45-S	ELBOW,45°,MALE TO FEMALE PIPE	83054	821-12	HOSE,3/4 INCH ID
72270	12FNL-S	CAP, TUBE END	83055	30682-6-6	HOSE END,FEMALE SWIVEL,JIC
73436	60C-4	SLEEVE,COMPRESSION	83056	30682-12-12	HOSE END,FEMALE SWIVEL,JIC
73437	61C-4	NUT,COMPRESSION	83057	33782-6-6	HOSE END,45° FEMALE SWIVEL,JIC
73438	33482-4-4B	HOSE END,PUSH LOK,MALE	83058	33982-6-6	HOSE END,90° FEMALE SWIVEL,JIC
73767	1CD-S	ELBOW,90°,MALE TO FEMALE PIPE	83060	33982-12-12	HOSE END,90° FEMALE SWIVEL,JIC
73768	20-16-F5OG5-S	ADAPTER,FEMALE PIPE TO STRAIGHT THREAD	83063	13743-4-4	HOSE END,45° FEMALE SWIVEL,JIC
73769	16-20 F5OLO-S	CONNECTOR,STRAIGHT THREAD TO ORFS			
74660	6-8 F42EDMLO-S	CONNECTOR,MALE BSPP TO ORFS			
74661	8-8 F42EDMLO-S	CONNECTOR,MALE BSPP TO ORFS			
75007	4 FLO-S	CONNECTOR,MALE PIPE TO ORFS			
75008	1/8 HP-S	PLUG,PIPE THREAD			
75014	1/2 HP-S	PLUG,PIPE THREAD			
75042	8 WELO-WLNL-S	UNION,90° BULKHEAD W/NUT,ORFS			
75043	3/4 FF-S	NIPPLE,PIPE			
75254	24 F5OHAO-S	UNION,STRAIGHT THREAD			
75255	12 F5OHAO-S	UNION,STRAIGHT THREAD			
75256	XV506P-24	BALL VALVE			
75574	4 WLNL-S	BULKHEAD LOCKNUT			
75612	8 WJLO-WLNL-S	RUN TEE, BULKHEAD,ORFS			
75613	12-8 F5OG5-S	ADAPTER,FEMALE PIPE TO STRAIGHT THREAD			
75614	8 CC5OLO-S	ELBOW,90° LONG,STRAIGHT THREAD TO ORFS			
75628	1JB43-4-4	HOSE END,BULKHEAD,SEAL LOK			

## Fitting Cross References (Continued)

Genie PN	Parker PN	Description	Genie PN	Parker PN	Description
83064	13743-8-8	HOSE END,45° FEMALE SWIVEL,JIC	89449	6 WJLO-WLNL-S	RUN TEE, BULKHEAD,ORFS
83065	13743-12-12	HOSE END,45° FEMALE SWIVEL,JIC	89489	4 WJMLO-S	BRANCH TEE,BULKHEAD,ORFS
83066	13943-8-8	HOSE END,90° FEMALE SWIVEL,JIC	89551	1JB43-6-6	HOSE END,BULKHEAD,SEAL LOK
83067	14143-6-6	HOSE END,90° FEMALE SWIVEL,JIC	89552	1JB43-8-8	HOSE END,BULKHEAD,SEAL LOK
83068	14143-8-8	HOSE END,90° FEMALE SWIVEL,JIC	89593	20 C5OLO-S	ELBOW,90°,STRAIGHT THREAD TO ORFS
83069	14143-12-12	HOSE END,90° FEMALE SWIVEL,JIC	94161	8-8 CLO-S	ELBOW,90°,MALE PIPE TO ORFS
83070	772-8	HOSE,1/2 INCH ID	94358	351TC-12	HOSE,3/4 INCH ID
83071	10671-8-8	HOSE END,FEMALE SWIVEL,JIC	94418	20 FLO-S	CONNECTOR,MALE PIPE TO ORFS
83072	10671-12-12	HOSE END,FEMALE SWIVEL,JIC	96358	12 TX-S	SLEEVE,FLARE TUBE
83073	13771-8-8	HOSE END,45° FEMALE SWIVEL,JIC	96359	12 BTX-S	NUT,FLARE TUBE
83074	13771-12-12	HOSE END,45° FEMALE SWIVEL,JIC	96397	8 F5OX-S	CONNECTOR,STRAIGHT THREAD TO FLARE TUBE
83075	13971-8-8	HOSE END,90° FEMALE SWIVEL,JIC	96398	12-8 F5OX-S	CONNECTOR,STRAIGHT THREAD TO FLARE TUBE
83076	13971-12-12	HOSE END,90° FEMALE SWIVEL,JIC	96402	10343-6-6	HOSE END,MALE,JIC
83077	14171-8-8	HOSE END,90° FEMALE SWIVEL,JIC	96407	30382-6-6B	HOSE END,MALE,JIC
83078	14171-12-12	HOSE END,90° FEMALE SWIVEL,JIC			
83080	13943-16-16	HOSE END,90° FEMALE SWIVEL,JIC			
83103	10671-16-12	HOSE END,FEMALE SWIVEL,JIC			
83104	10671-10-12	HOSE END,FEMALE SWIVEL,JIC			
83112	1JC71-8-8	HOSE END,FEMALE SWIVEL,SEAL LOK			
83113	1JS71-16-12	HOSE END,FEMALE SWIVEL,SEAL LOK			
83114	1JS71-10-12	HOSE END,FEMALE SWIVEL,SEAL LOK			
83115	1J971-8-8	HOSE END,90° FEMALE SWIVEL,SEAL LOK			
83116	1J171-8-8	HOSE END,90° FEMALE SWIVEL,SEAL LOK			
83117	1J771-8-8	HOSE END,45° FEMALE SWIVEL,SEAL LOK			
83127	1J543-6-8	HOSE END,90° FEMALE SWIVEL,JIC			
83128	1JC43-6-8	HOSE END,FEMALE SWIVEL,SEAL LOK			
87033	12-6 TRLO-S	REDUCER,TUBE END TO SWIVEL,ORFS			
87034	3J782-8-8	HOSE END,45° FEMALE SWIVEL,SEAL LOK			
87172	12 HP5ON-S	PLUG,STRAIGHT THREAD			
87185	8 WNLO-WLNL-S	UNION,BULKHEAD 45°,ORFS			
87246	4 C6X-S	ELBOW,90°,SWIVEL NUT TO FLARE TUBE			
87679	6 LHP-S	FLANGE SEAL FITTING, MALE			
87681	6PLS N0702	BONDED SEAL			
88100	SR88100	ADAPTER,OIL DRAIN,GM 3.0L			
88311	1JS43-20-20	HOSE END,FEMALE SWIVEL,SEAL LOK			
88353	20 V5OLO-S	ELBOW,45°,STRAIGHT THREAD TO ORFS			
88474	10081-20	Crimp Shell, 1.25"			
88475	1988-20-24	HOSE END,90° FLANGE HEAD			
88476	JS88-24-24	HOSE END,FEMALE SWIVEL,SEAL LOK			
88477	1JC88-20-20	HOSE END,FEMALE SWIVEL,SEAL LOK			
88478	811-20	HOSE,11/4 INCH ID			
88936	20-16 F5OLO-S	CONNECTOR,STRAIGHT THREAD TO ORFS			
88937	20-16 FLO-S	CONNECTOR,MALE PIPE TO ORFS			
88938	1JC88-16-16	HOSE END,FEMALE SWIVEL,SEAL LOK			
88939	1J988-16-16	HOSE END,90° FEMALE SWIVEL,ORFS			
88940	811-16	HOSE,1 INCH ID			
88944	1J988-20-20	HOSE END,90° FEMALE SWIVEL,ORFS			
89403	16 VLO-S	ELBOW,45°,MALE PIPE TO ORFS			

California Proposition 65



**WARNING**

Operating, servicing and maintaining this equipment can expose you to chemicals including engine exhaust, carbon monoxide, phthalates, and lead, which are known to the State of California to cause cancer and birth defects or other reproductive harm. These chemicals can be emitted from or contained in other various parts and systems, fluids and some component wear by-products. To minimize exposure, avoid breathing exhaust, do not idle the engine except as necessary, service your equipment and vehicle in a well-ventilated area and wear gloves or wash your hands frequently when servicing your equipment or vehicle and after operation. For more information go to [www.P65Warnings.ca.gov/passenger-vehicle](http://www.P65Warnings.ca.gov/passenger-vehicle).

Breathing diesel engine exhaust exposes you to chemicals known to the State of California to cause cancer and birth defects or other reproductive harm.

- Always start and operate the engine in a well-ventilated area.
- If in an enclosed area, vent the exhaust to the outside.
- Do not modify or tamper with the exhaust system.
- Do not idle the engine except as necessary.

For more information go to [www.P65warnings.ca.gov/diesel](http://www.P65warnings.ca.gov/diesel).

# Parts Manual

GTH-644

GTH-844

*from serial number GTH0610-14001 to GTH0612-16605  
from serial number GTH0810-14001 to GTH0812-16605*

Part No.  
226648

Rev B2

**Genie**  
A TEREK BRAND